

# HITACHI INVERTER

## J300 SERIES

### INSTRUCTION MANUAL

Three phase input 200/400V class

J300 U : USA version

After reading this manual, keep it at hand for future reference.

**Hitachi, Ltd.**  
Tokyo Japan

NB506XC

# SAFETY

For the Best Results with J300 Series inverter, read this manual and all of the warning sign attached to the inverter carefully before installing and operating it, and follow the instructions exactly. Keep this manual handy for your quick reference.

## Definitions and Symbols

A safety instruction (message) is given with a hazard alert symbol and a signal word; **WARNING** or **CAUTION**. Each signal word has the following meaning throughout this manual.



This symbol means hazardous high voltage. It used to call your attention to items or operations that could be dangerous to your and other persons operating this equipment.

Read these message and follow these instructions carefully.



This is the “Safety Alert Symbol.” This symbol is used to call your attention to items or operations that could be dangerous to your or other persons operating this equipment. Read these messages and follow these instructions carefully.



**WARNING**

**WARNING**


Indicates a potentially hazardous situation which, if not avoided, can result in serious injury or death.



**CAUTION**

**CAUTION**

Indicates a potentially hazardous situation which, if not avoided, can result in minor to moderate injury, or serious damage of product.

The matters described under  **CAUTION** may, if not avoided, lead to serious results depending on the situation. Important matters are described in **CAUTION** (as well as **WARNING**), so be sure to observe them.

**NOTE**

**NOTE:** Notes indicate an area or subject of special merit, emphasizing either the product’s capabilities or common errors in operation or maintenance.





**HAZARDOUS HIGH VOLTAGE**


Motor control equipment and electronic controllers are connected to hazardous line voltages. When servicing drives and electronic controllers, there might be exposed components with cases or protrusions at or above line potential. Extreme care should be taken to protect against shock.

Stand on an insulating pad and make it a habit to use only one hand when checking components. Always work with another person in case an emergency occurs. Disconnect power before checking controllers or performing maintenance. Be sure equipment is properly grounded. Wear safety glasses whenever working on an electronic controllers or rotating electrical equipment.

## PRECAUTIONS


 **WARNING:** This equipment should be installed, adjusted and serviced by qualified electrical maintenance personnel familiar with the construction and operation of the equipment and the hazards involved. Failure to observe this precaution could result in bodily injury.


 **WARNING :** The user is responsible for ensuring that all driven machinery, drive train mechanism not supplied by Hitachi, Ltd., and process line material are capable of safe operation at an applied frequency of 150% of the maximum selected frequency range to the AC motor. Failure to do so can result in destruction of equipment and injury to personnel should a single point failure occur.


 **WARNING :** For protection, install a leak breaker type with a high frequency circuit capable of large currents to avoid an unnecessary operation. The ground fault protection circuit is not designed to protect personal injury.

 **WARNING :** HAZARD OF ELECTRICAL SHOCK. DISCONNECT INCOMING POWER BEFORE WORKING ON THIS CONTROL.

 **AVERTISSEMENT :** RISQUE DE CHOC ELECTRIQUE COUPER L'ALIMENTATION AVANT LE DEPANNAGE DE CETTE COMMANDE.


 **CAUTION:** These instructions should be read and clearly understood before working on J300 series equipment.

 **CAUTION:** Proper grounds, disconnecting devices and other safety devices and their location are the responsibility of the user and are not provided by Hitachi, Ltd.

 **CAUTION:** Be sure to connect a motor thermal switch or overload device to the J300 series controller to assure that the inverter will shut down in the event of an overload or an overheated motor.

 **CAUTION:** DANGEROUS VOLTAGE EXISTS UNTIL CHARGE LIGHT IS OFF.

 **ATTENTION:** PRESENCE DE TENSIONS DANGEREUSES TANT QUE LE VOYANT N'EST PAS ETEINT.

 **CAUTION:** Rotating shafts and above ground electrical potentials can be hazardous. Therefore, it is strongly recommended that all electrical work conform to the National Electrical Codes and local regulations. Installation, alignment and maintenance should be performed only by qualified personnel. Factory recommended test procedures, included in the instruction manual, should be followed. Always disconnect electrical power before working on the unit.

**NOTE : POLLUTION DEGREE 2**

The inverter must be used in environment of the degree 2.

Typical constructions that reduce the possibility of conductive pollution are;

- 1) The use of an un-ventilated enclosure
- 2) The use of a filtered ventilated enclosure when the ventilation is fan forced that is, ventilation is accomplished by one or more blowers within the enclosure that provide a positive intake and exhaust.

**NOTE : ENCLOSURE SIZE FOR 75 kW TO 110 kW**

The inverter, 75kW to 110kW must be installed into an enclosure with dimensions no less than 183cm (72 in) by 183cm (72 in) by 60cm (24 in).

**NOTE : ENCLOSURE SIZE FOR 132 kW AND BIGGER**

The inverters, 132kW and bigger, are complied as recognized components.

These devices are intended for use in an overall enclosure with an internal ambient of 40 degree C for variable torque rating or 50 degree C for constant torque rating maximum.

End product temperature testing should be conducted to verify sufficient forced air ventilation is provided to maintain this ambient in room ambient of 10-40 degree C.

Based upon component level testing, end product temperature testing may be conducted at any convenient room ambient in the range of 20-40 degree C, unless the room ambient in the intended application exceeds 40 degree C, in which case testing should be conducted at the elevated ambient.

Enclosure internal ambient temperature should be measured above the drive on to the upper left or right side. Temperature measurements on the drive itself should not be necessary.

**NOTE : SET OF MOTOR CAPACITY AND POLES (A1, A2)**

When data does not match a capacity of connected motor, it may cause unstable motor operation. Set proper motor capacity (kW) and motor poles even under V/F control mode.

### Revision History Table


No.	Revision Contents	The Date of Issue	Operation Manual No.
1	Page iii : Pollution degree Page 2-1 : Description of inverter model Page4-2 : Change of note Page 5-8, 5-9 : Addition of 750 to 1100H Page 5-10 : Terminal description Page 11-1,11-2,11-3 : addition of 750 to 1100H	Aug. 1997	NB506XA
2	Page iii : Enclosure size Page 4-1 : Enclosure size, page 7-5; note 3, Page 7-11: F8 boost value in VP1 to 3 Page 7-15: A0 note for boost value Page 12-13: additio of note 1 Page A25-A31: addition of line for set value Page A-33: deletion of A-93 on clause	Feb. 1998	NB506XB
3	Page iii: note for 132 kW to 220 kW is added Page 2-1: added 132 to 220kW Page 4-1; note for 132 kW to 220 kW is added page 4-2: note,note1 corrected 110kW->260kW page 5-8: added 1320 to 2200H in table Page 5-10: terminal layout corrected Page7-5: corrected monitor d3 39 to 99 Page7-18: A10, addition of 1320 to 2200H Page 11-1,2,3: added 1320 to 2200H	Feb. 1999	NB506XC

# TABLE OF CONTENTS


	Page
1. SAFETY PRECAUTIONS .....	1-1
2. INSPECTION UPON UNPACKING .....	2-1
3. APPEARANCE AND NAMES OF PARTS .....	3-1
4. INSTALLATION .....	4-1
5. WIRING .....	5-1
6. OPERATION .....	6-1
7. OPERATION OF THE DIGITAL OPERATOR .....	7-1
8. PROTECTION FUNCTIONS .....	8-1
9. TROUBLESHOOTING .....	9-1
10. MAINTENANCE AND INSPECTION .....	10-1
11. STANDARD SPECIFICATIONS .....	11-1
12. FUNCTIONS WHEN USING THE OPTIONAL REMOTE OPERATOR .....	12-1
13. SERVICE .....	13-1
APPENDIX 1 .....	A-1
APPENDIX 2 .....	A-15
APPENDIX 3 .....	A-19
APPENDIX 4 .....	A-20
APPENDIX 5 .....	A-21
APPENDIX 6 .....	A-24
APPENDIX 7 .....	A-25
APPENDIX 8 .....	A-32

# 1. SAFETY PRECAUTIONS

## 1. Installation

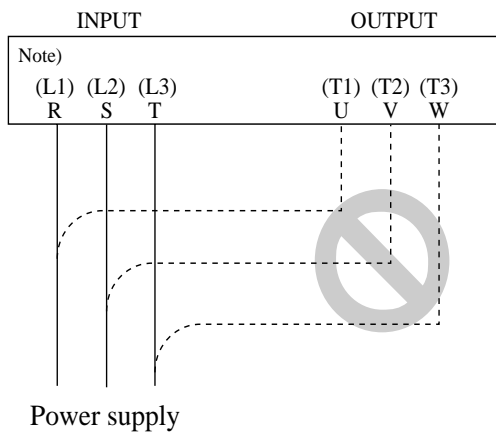
 <b>CAUTION</b>	
* Be sure to install the unit on flame resistant material such as metal. Otherwise, there is a danger of fire. ....	p. 4-1
* Be sure not to place anything inflammable in the vicinity. Otherwise, there is a danger of fire. ....	p. 4-1
* Be sure not to let the foreign matter enter such as cut wire refuse, spatter from welding, iron refuse, wire, dust, etc. Otherwise, there is a danger of fire. ....	p. 4-1
* Be sure to install it in a place which can bear the weight according to the specifications in the text (4. Installation). Otherwise, it may fall and there is a danger of injury. ....	p. 4-1
* Be sure to install the unit on a perpendicular wall which is not subject to vibration. Otherwise, it may fall and there is a danger of injury. ....	p. 4-1
* Be sure not to install and operate an inverter which is damaged or parts of which are missing. Otherwise, there is a danger of injury. ....	p. 4-1
* Be sure to install it in a room which is not exposed to direct sunlight and is well ventilated. Avoid environments which tend to be high in temperature, high in humidity or to have dew condensation, as well as places with dust, corrosive gas, explosive gas, inflammable gas, grinding-fluid mist, salt damage, etc. Otherwise, there is a danger of fire. ....	p. 4-1
* Be sure that the wall surface is a nonflammable material, such as steel plate. ....	p. 4-2

## 2. Wiring

 <b>WARNING</b>	
* Be sure to ground the unit. Otherwise, there is a danger of electric shock and/or fire. ....	p. 5-1
* Wiring work shall be carried out by electrical experts. Otherwise, there is a danger of electric shock and/or fire. ....	p. 5-1
* Implement wiring after checking that the power supply is off. It might incur electric shock and/or fire. ....	p. 5-1
* After installing the main body, carry out wiring. Otherwise, there is a danger of electric shock and/or injury. ....	p. 5-1
* Wait until DC bus voltage is discharged after power supply is turned off. Otherwise, there is a danger of electric shock. ....	p. 5-10

**⚠ CAUTION**

- \* Make sure that the input voltage is: ..... p. 5-2  
 Three phase 200 to 220 V/50 Hz, 200 to 230 V/60 Hz  
 Three phase 380 to 415 V/50 Hz, 400 to 460 V/60 Hz
- \* Be sure not to input a single phase to a 3 phase type. .... p. 5-2  
 Otherwise, there is a danger of fire.
- \* Be sure not to connect AC power supply to the output terminals ..... p. 5-2  
 [U (T1), V (T2), W (T3)].  
 Otherwise, there is a danger of injury and/or fire.



- \* Fasten the screws with the specified fastening torque. Check so that ..... p. 5-2  
 there is no loosening of screws.  
 Otherwise, there is a danger of fire.
- \* Be sure to install an earth leakage breaker. .... p. 5-2  
 The ground fault protection is designed to detect current flowing to the ground upon power on. This function is to protect the inverter, not people. Install the earth leakage breaker to protect against the ground fault on wires between the inverter and the motor. (Use a breaker that is very sensitive to high frequency current so as not to cause malfunction.)
- \* Be sure to set the fuse(s) (the same phase as the main power supply) ..... p. 5-2  
 in the operation circuit.  
 Otherwise, there is a danger of fire.
- \* As for motor leads, earth leakage breakers and electromagnetic ..... p. 5-2  
 contactors, be sure to use the equivalent ones with the specified capacity (rated).  
 Otherwise, there is a danger of fire.
- \* Connection to wiring terminal must be reliably fixed with two means ..... p. 5-2  
 of support.



 **CAUTION**

External or remote over load protection required, if multiple motors to ..... p. 5-4  
be connected.

For models J300-450LFU and -550LFU only , connect to branch  
circuit protected at maximum 300% of output current rating.

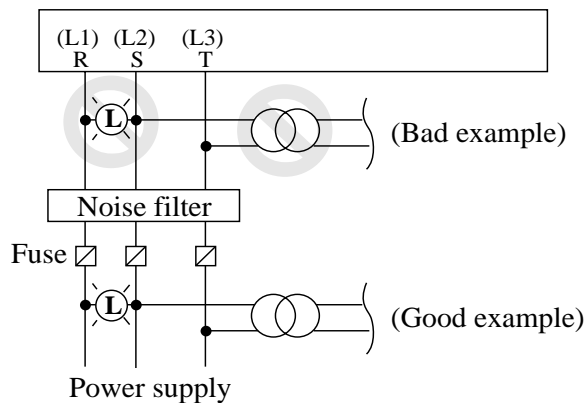
Suitable for use on a circuit capable of delivering not more than 10,000  
rms symmetrical amperes,\*\*\* volts maximum,  
(where \*\*\* = input voltage)

Alarm connection may contain harzordous live voltage even when ..... p. 5-11  
inverter is disconnected. In case of removing front cover for  
maintenance or inspection, confirm that incoming power for alarm  
connection is surely disconnected.

 **CAUTION**

**Input phase failure protection**

- (1) J300-U version inverter are provided with the phase failure protection on the power supply.
- (2) When a buzzer, lamp, noise filter or transformer is connected between the input power terminals (L1, L2, L3) and input power fuses, input phase failure cannot be protected.



### 3. Control and operation



#### WARNING

* Be sure to turn on the input power supply after mounting the surface cover. While being energized, be sure not to remove the cover. Otherwise, there is a danger of electric shock.	.....	p. 6-1
* Be sure not to operate the switches with wet hands. Otherwise, there is a danger of electric shock.	.....	p. 6-1
* While the inverter is energized, be sure not to touch the inverter terminals even during stoppage. Otherwise, there is a danger of electric shock.	.....	p. 6-1
* If the re-try mode is selected, it may suddenly restart during the trip stop. Be sure not to approach the machine. (Be sure to design the machine so that personnel safety will be secured even if it restarts.) Otherwise, there is a danger of injury.	.....	p. 6-1
* Even if the power supply is cut for a short period of time, it may restart operation after the power supply is recovered if the operation command is given. If it may incur danger to personnel, be sure to make a circuit so that it will not restart after power recovery. Otherwise, there is a danger of injury.	.....	p. 6-1
* The Stop Key is effective only when the function is set. Be sure to prepare the Key separately from the emergency stop. Otherwise, there is a danger of injury.	.....	p. 6-1
* After the operation command is given, if the alarm reset is conducted, it will restart suddenly. Be sure to set the alarm reset after checking the operation command is off. Otherwise, there is a danger of injury.	.....	p. 6-1
* Be sure not to touch the inside of the energized inverter or to put a bar into it. Otherwise, there is a danger of electric shock and/or fire.	.....	p. 6-1
* The STOP/RESET key works only when a function is set. Prepare an emergency switch separately. The use of the STOP/RESET key as an emergency switch may cause an injury.	.....	p. 7-1



## CAUTION

- \* Radiating fin and discharging resistor will have high temperature. .... p. 6-2  
Be sure not to touch them.  
Otherwise, there is a danger of getting burned.
- \* Low to high speed operation of the inverter can be easily set. Be sure ..... p. 6-2  
to operate it after checking the tolerance of the motor and machine.  
Otherwise, there is a danger of injury.
- \* If a motor is operated at a frequency higher than 60Hz, be sure to check ..... p. 6-2  
the speeds of the motor and the machine with each manufacturer, and  
after getting their consent, operate them.  
Otherwise, there is a danger of machine breakage.
- \* Check the following before and during the test run. .... p. 6-3  
Otherwise, there is a danger of machine breakage.
  - Was the short-cut bar between +1 and + connected?
  - Was the direction of the motor correct?
  - Was the inverter tripped during acceleration or deceleration?
  - Were the rpm and frequency meter correct?
  - Were there any abnormal motor vibrations or noise?
  - When overcurrent tripping or overvoltage tripping occurs during the  
test run, increase the acceleration time or deceleration time.

## 4. Maintenance, inspection and part replacement



## WARNING

- \* Be sure to turn off the power supply during maintenance and ..... p. 10-1  
inspection.
- \* After the power supply has been turned off, you must always wait 10 ..... p. 10-1  
minutes so that DC bus capacitors can discharge then start maintenance  
and inspection after the CHARGE lamp on the printed-circuit board has  
gone out. (Immediately after the lamp has gone out, there will be a  
residual voltage of about 50 V DC in the DC bus intermediate circuit.)  
Perform the work after the CHARGE lamp has stopped flickering.
- \* Make sure that only qualified persons will perform maintenance, ..... p. 10-1  
inspection and part replacement. (Before starting the work, remove  
metallic objects from your person (wristwatch, bracelet, etc.)  
(Be sure to use tools protected with insulation.)  
Otherwise, there is a danger of electric shock and/or injury.



## CAUTION

- \* When removing connectors, never pull the wires. (Wires for cooling fan and thermal relay) ..... p. 10-1  
Otherwise, there is a danger of fire due to wire breakage and/or injury.

## 5. Appendix



## WARNING

- \* When the inverter stops due to a trip with retry mode selected, the motor restarts suddenly. Stand clear of the machine. Otherwise, you may be injured. (Design the machine in such a way that persons are protected against a restart of the machine.) ..... p. A-15
- \* If the retry mode is selected, do not approach the inverter unnecessarily. It will be restarted suddenly after it trips/stops. (Design the inverter so that the safety can be assured even in such a restart.) Otherwise, bodily injury will result. .... p. A-16

## 6. Others



### WARNING

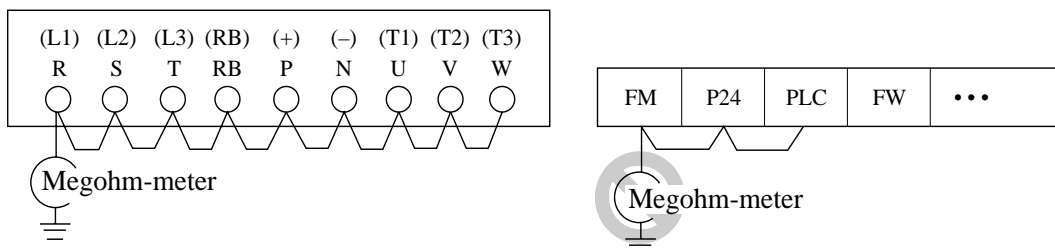
- \* Never modify the unit.  
Otherwise, there is a danger of electric shock and/or injury.



### CAUTION

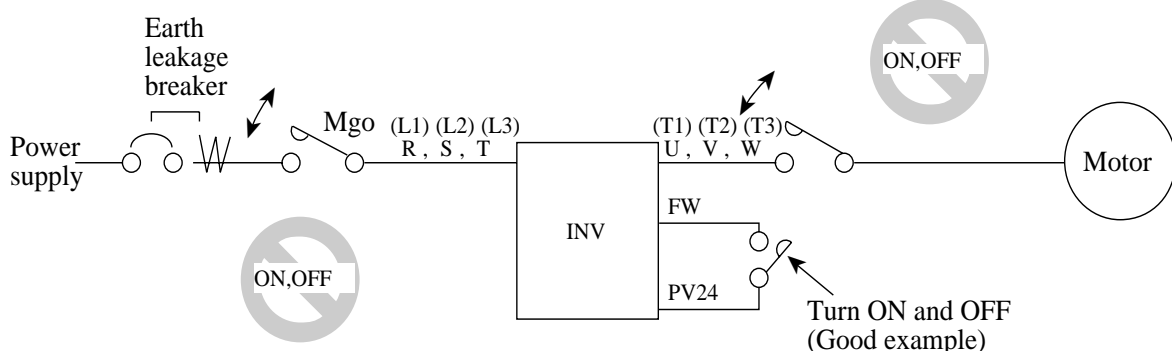
- \* **Withstand voltage tests and insulation resistance tests (megger tests) are executed before the units are shipped, so that there is no need to conduct these tests before operation.**

When conducting megger tests as a part of daily inspection, be sure that these tests are only executed between the main circuit and the ground. Do not execute megger tests on the control circuit.



- \* **Do not attach or remove wiring or connectors (including Digital operator and Remote operator) when power is applied. Also, do not check signals during operation. Otherwise, a trip may occur or a failure may be caused. To stop the operation, be sure to use an operation instruction (FW,REV.) Do not turn power off within three minutes after it is turned on, or vice versa.**
- \* **Do not stop operation by switching off the electromagnetic(Mgo) contactors on the primary or secondary sides of the inverter. To stop the operation, be sure to use an operation instruction (FW,REV.) Do not turn power off within three minutes after it is turned on, or vice versa.**

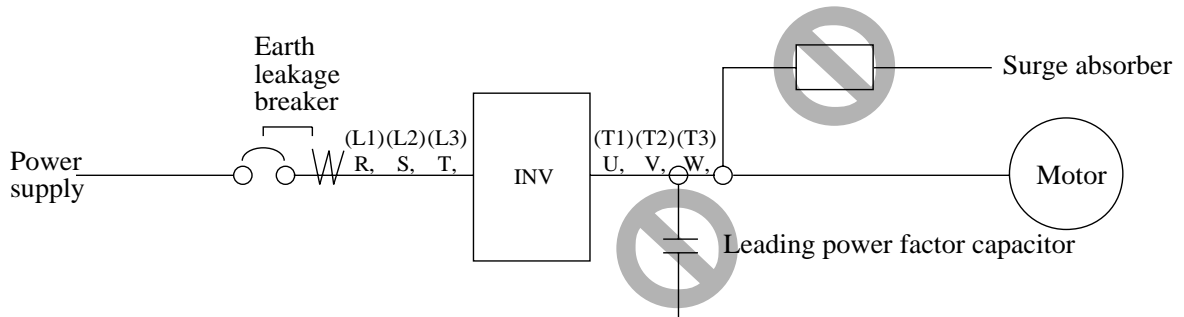
(Bad example)




When there has been an instantaneous power failure, and if an operation instruction has been given, then the unit may restart operation after the power failure has ended. If there is a possibility that such an occurrence may harm humans, then install an electromagnetic contactor (Mgo) on the power supply side, so that the circuit does not allow automatic restarting after the power supply recovers. If the optional remote operator is used and the retry function has been selected, this will also cause automatic restarting when an operation instruction has been input, so please be careful.

 **CAUTION**

- \* **Do not insert leading power factor capacitors or surge absorbers between the output terminals of the inverter and the motor.**



- \* **Be sure to ground the grounding terminal, .**
- \* **When inspecting the unit, after turning the power supply off be sure to wait until the CHARGE lamp beside the control terminal is off before opening the cover.**

(If the lamp is lit or still flickering, then the internal capacitor's residual voltage is still dangerous.)

- \* **MOTOR TERMINAL SURGE VOLTAGE SUPPRESSION FILTER (FOR THE 400 V CLASS)**

In a system using an inverter of the voltage control PWM system, a surge voltage caused by the cable constants such as the cable length (especially when the distance between the motor and inverter is 10 m or more) and cabling method may occur at the motor terminal.

A dedicated filter of the 400 V class for suppressing this surge voltage is available, Please order one.

- \* **PROTECTION AGAINST NOISE INTERFERENCE FROM INVERTER**

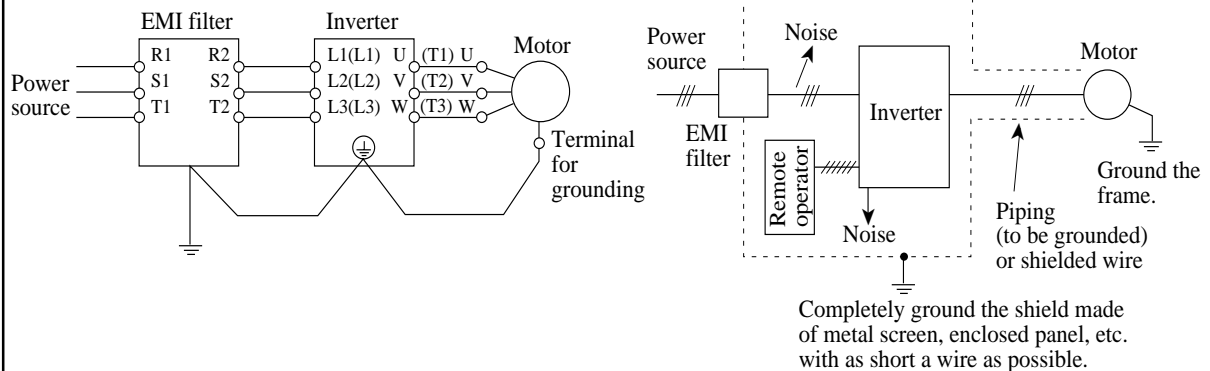
The inverter uses many semiconductor switching elements such as transistors and IGBTs. Thus, a radio set or measuring instrument located near the inverter is susceptible to noise interference.

To protect the instruments from erroneous operation due to noise interference, they should be installed well apart from the inverter. It is also effective to shield the whole inverter structure.

Addition of an EMI filter on the input side of the inverter also reduces the effect of noise from commercial power line on external devices.

Note that external dispersion of noise from the power line can be minimized by connecting an EMI filter on the primary side of inverter.

## ⚠ CAUTION



### \* EFFECTS OF DISTRIBUTOR LINES ON INVERTERS

In the cases below involving a general-purpose inverter, a large peak current flows on the power supply side, sometimes destroying the converter module. Where such situations are foreseen, or the paired equipment must be highly reliable, install an AC reactor between the power supply and the inverter.

- (A) The unbalance factor of the power supply is 3% or higher.
- (B) The power supply capacity is at least 10 times greater than the inverter capacity (and the power supply capacity, 500 kVA or more).
- (C) Abrupt power supply changes are expected.

Examples:

- (1) Several inverters are interconnected with a short bus.
- (2) A thyristor converter and an inverter are interconnected with a short bus.
- (3) An installed phase advance capacitor opens and closes.

In cases (A), (B) or (C), we recommend installing an AC reactor of 3% (in a voltage drop at rated current) with respect to the supply voltage on the power supply side.

- \* **When occurring an EEPROM error (  $\boxed{E} \boxed{B}$  ), be sure to confirm the setting value again.**
- \* **When setting b contact to the reverse command ([REV] terminal), the inverter state automatically. Do not set to b contact.**

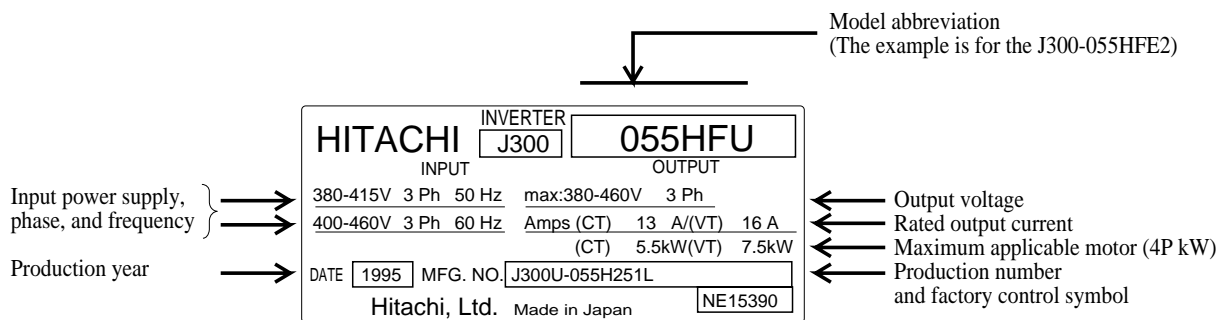
## GENERAL CAUTION

In all the illustrations in this manual, covers and safety devices are occasionally removed to describe the details. When the product is operated, make sure that the covers and safety devices are placed as they were specified originally and operate it according to the instruction manual.

## 2. INSPECTION UPON UNPACKING

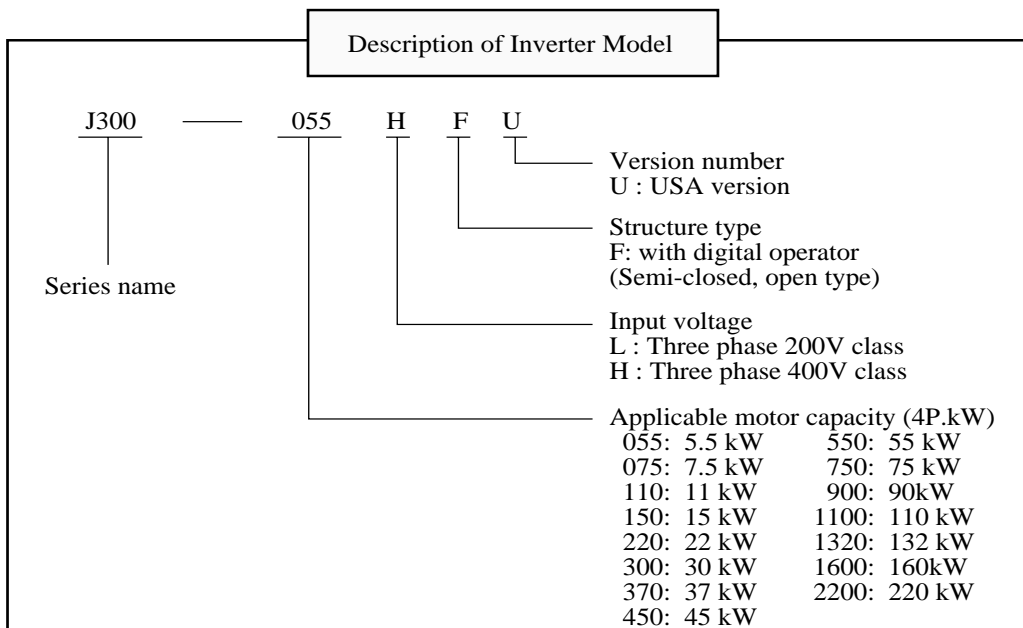
Before installation and wiring, be sure to check the following:

- Make sure that there was no damage during transportation the unit.
- After unpacking the unit, make sure that the package contains one inverter and one operation manual
- Make sure that the product is the one you ordered by checking the specifications label on the front of the cover.



### Contents of Specifications Label

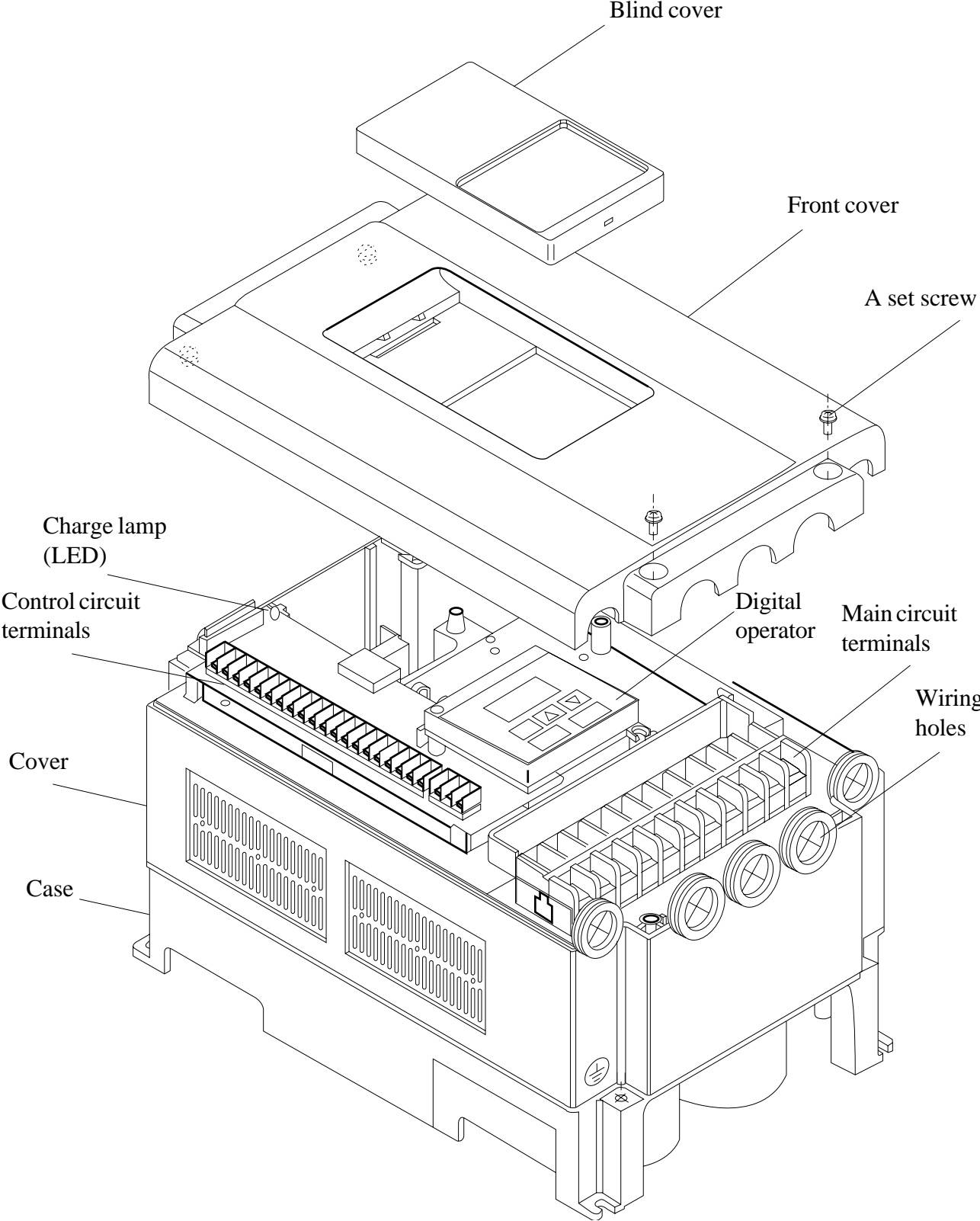
If you discover any problems, contact your sales agent immediately.





# 3. APPEARANCE AND NAMES OF PARTS

## 3.1 Names of Parts



## 4. INSTALLATION



### CAUTION

- \* Be sure to install the unit on flame resistant material such as metal. Otherwise, there is a danger of fire.
- \* Be sure not to place anything inflammable in the vicinity. Otherwise, there is a danger of fire.
- \* Be sure not to let the foreign matter enter such as cut wire refuse, spatter from welding, iron refuse, wire, dust, etc. Otherwise, there is a danger of fire.
- \* Be sure to install it in a place which can bear the weight according to the specifications in the text (4. Installation). Otherwise, it may fall and there is a danger of injury.
- \* Be sure to install the unit on a perpendicular wall which is not subject to vibration. Otherwise, it may fall and there is a danger of injury.
- \* Be sure not to install and operate an inverter which is damaged or parts of which are missing. Otherwise, there is a danger of injury.
- \* Be sure to install it in a room which is not exposed to direct sunlight and is well ventilated. Avoid environments which tend to be high in temperature, high in humidity or to have dew condensation, as well as places with dust, corrosive gas, explosive gas, inflammable gas, grinding-fluid mist, salt damage, etc. Otherwise, there is a danger of fire.

### **NOTE : ENCLOSURE SIZE FOR 75 kW to 110kW**

The inverters, 75kW to 110kW must be installed into an enclosure with dimensions no less than 183cm (72 in) by 183cm (72 in) by 60cm (24 in).

### **NOTE : ENCLOSURE SIZE FOR 132 kW AND BIGGER**

The inverters, 132kW and bigger, are complied as recognized components.

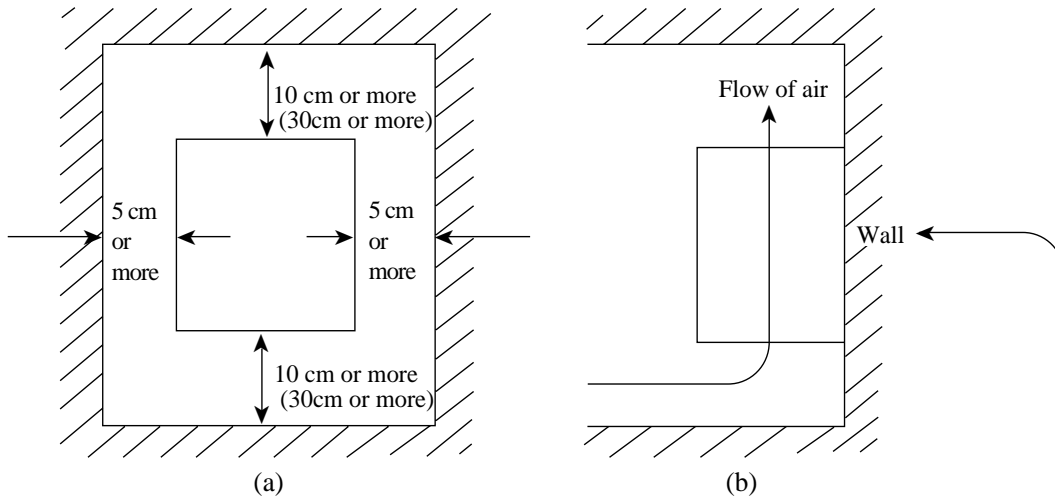
These devices are intended for use in an overall enclosure with an internal ambient of 40 degree C for variable torque rating or 50 degree C for constant torque rating maximum.

End product temperature testing should be conducted to verify sufficient forced air ventilation is provided to maintain this ambient in room ambient of 10-40 degree C.

Based upon component level testing, end product temperature testing may be conducted at any convenient room ambient in the range of 20-40 degree C, unless the room ambient in the intended application exceeds 40 degree C, in which case testing should be conducted at the elevated ambient.

Enclosure internal ambient temperature should be measured above the drive on to the upper left or right side. Temperature measurements on the drive itself should not be necessary.

For cooling purposes, be sure that the inverter is installed vertically. In addition, be sure that it is separated from other components and walls. If foreign matter is introduced into the interior of the inverter, this may cause malfunctions, so make sure that no foreign matter can enter it.



**NOTE:** Install the inverter vertically.  
Do not install it on the floor or horizontally.  
( ) is for 75 to 260kW

**CAUTION**  
Be sure that the wall surface is a nonflammable material, such as steel plate.

**CAUTION** Be sure to check the ambient temperature.

Place of installation	Load characteristics	Ambient temperature	Applicable model
Within the enclosure (NOTE 1)	Constant torque	-10 to 50°C	All models (NOTE 2)
	Variable torque	-10 to 40°C	

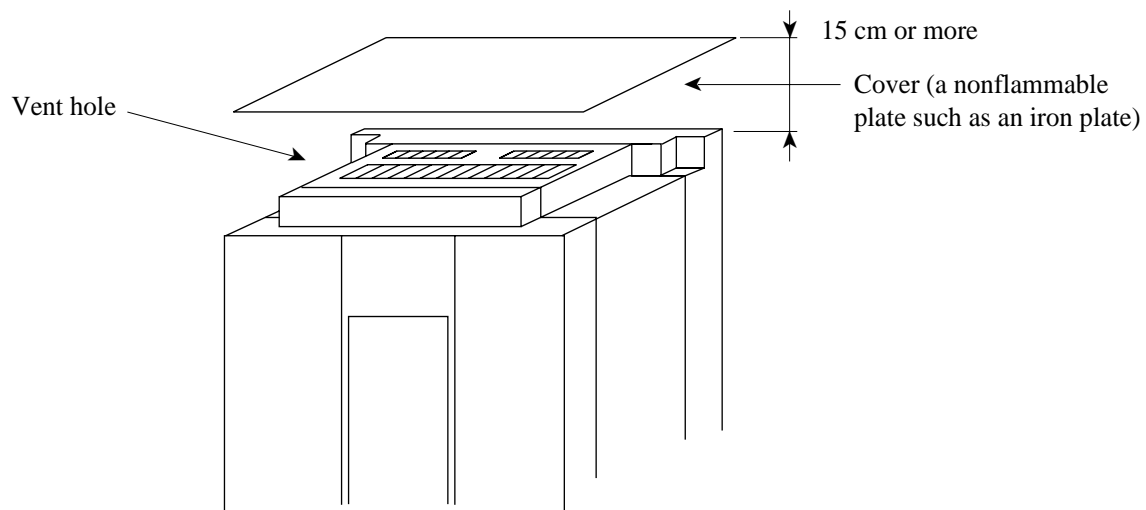
**NOTE 1:** The inverter should be installed in a locked enclosure that meets the requirements in IP4X.

The higher the ambient temperature inside the inverter, the shorter its life will be. If a heat generating unit is used near the inverter, try to keep it as far away as possible. Also, when installing the inverter in a box, be sure to carefully consider ventilation and the dimensions.

**NOTE 2:** Each of inverters 22 kW to 260 kW must be installed in a locked enclosure.

### Precaution for installation and wiring

When executing the wiring work or another work, attach a cover on the vent hole (slit) on the top of the inverter to prevent wire chips, weld spatters, iron scraps, or dust from falling into the inverter.



## 5. WIRING



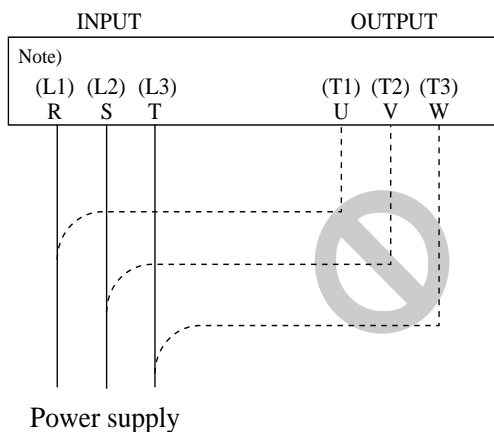
### **WARNING**

- \* Be sure to ground the unit.  
Otherwise, there is a danger of electric shock and/or fire.
- \* Wiring work shall be carried out by electrical experts.  
Otherwise, there is a danger of electric shock and/or fire.
- \* Implement wiring after checking that the power supply is off.  
It might incur electric shock and/or fire.
- \* After installing the main body, carry out wiring.  
Otherwise, there is a danger of electric shock and/or injury.



## CAUTION

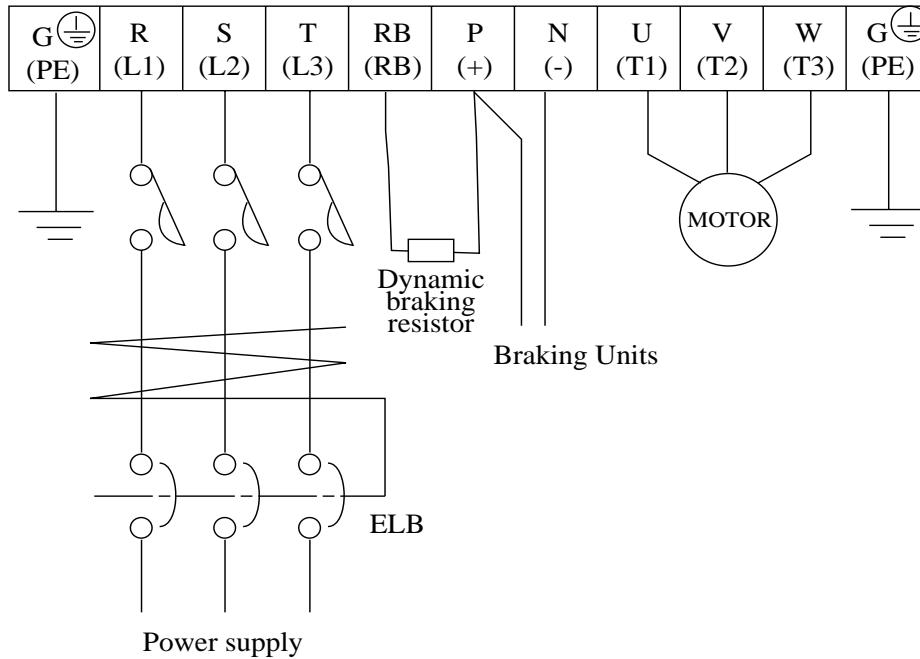
- \* Make sure that the input voltage is:  
Three phase 200 to 220 V/50 Hz, 200 to 230 V/60 Hz  
Three phase 380 to 415 V/50 Hz, 400 to 460 V/60 Hz
- \* Be sure not to input a single phase to a 3 phase type.  
Otherwise, there is a danger of fire.
- \* Be sure not to connect AC power supply to the output terminals [U (T1), V (T2), W (T3)].  
Otherwise, there is a danger of injury and/or fire.



- \* Fasten the screws with the specified fastening torque. Check so that there is no loosening of screws.  
Otherwise, there is a danger of fire.  
Be sure to install an earth leakage breaker.
- \* The ground fault protection is designed to detect current flowing to the ground upon power on. This function is to protect the inverter, not people. Install the earth leakage breaker to protect against the ground fault on wires between the inverter and the motor. (Use a breaker that is very sensitive to high frequency current so as not to cause malfunction.)
- \* Be sure to set the fuse(s) (the same phase as the main power supply) in the operation circuit.  
Otherwise, there is a danger of fire.  
As for motor leads, earth leakage breakers and electromagnetic contactors, be sure to use the equivalent ones with the specified capacity (rated).  
Otherwise, there is a danger of fire.

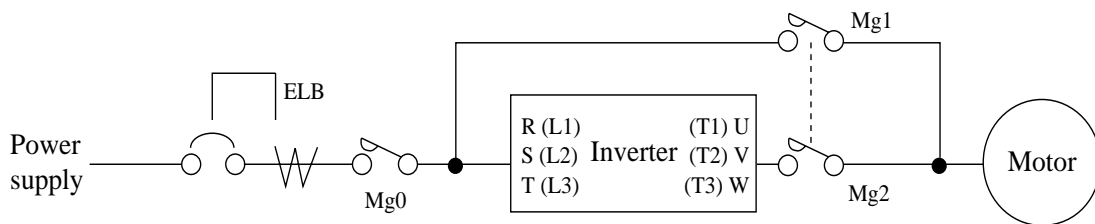
The terminal board will be exposed when the front cover or terminal cover (450L/HF, 550L/HF) is removed. Wire the inverter in this state.

### 5.1 Wiring the Power Supply and Motor



- The inverter will be damaged if the power supply is connected to the motor terminals U(T1), V(T2) and W(T3), so be sure not to make any mistakes.
- If multiple motors are to be connected, be sure to attach a thermal relay to each motor.

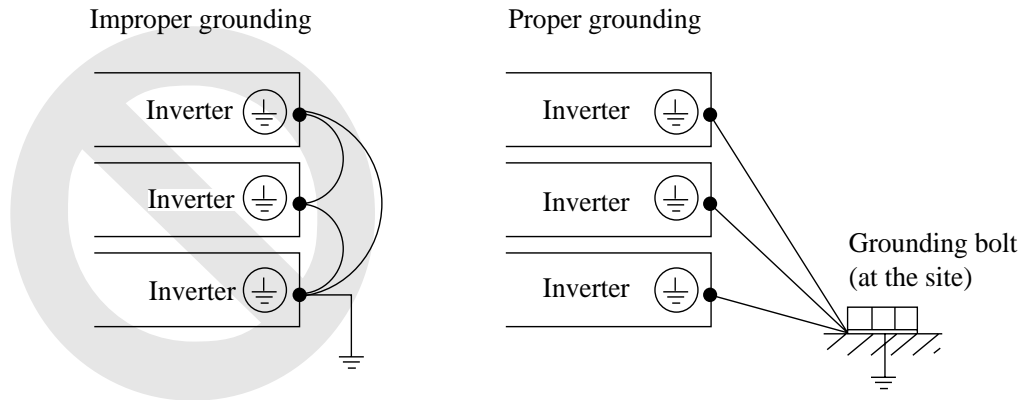
**NOTE 1:** When changing the power supply of the motor between the inverter and commercial power, be sure to install mechanically interlocked switches Mg1 and Mg2.



**NOTE 2:** Install an earth leakage breaker at the input of the inverter. (Select an earth leakage breaker whose sensitive current level is raised in high frequency range.) When the cable length between the inverter and motor is long (more than 10 m), the thermal relay may malfunction due to higher harmonics. Therefore, install an AC reactor on the output side of the inverter or use a current sensor in place of the thermal relay.

**NOTE 3:** Be sure that the specified grounding is carried out. Be sure to separate the unit's grounding pole from those of other heavy electric machinery, and avoid using common grounding poles.

If multiple inverters are used, make sure that the grounding connections do not create a loop.



**⚠ CAUTION**

External or remote over load protection required, if multiple motors to be connected.

For models J300-450LFU and -550LFU only , connect to branch circuit protected at maximum 300% of output current rating.

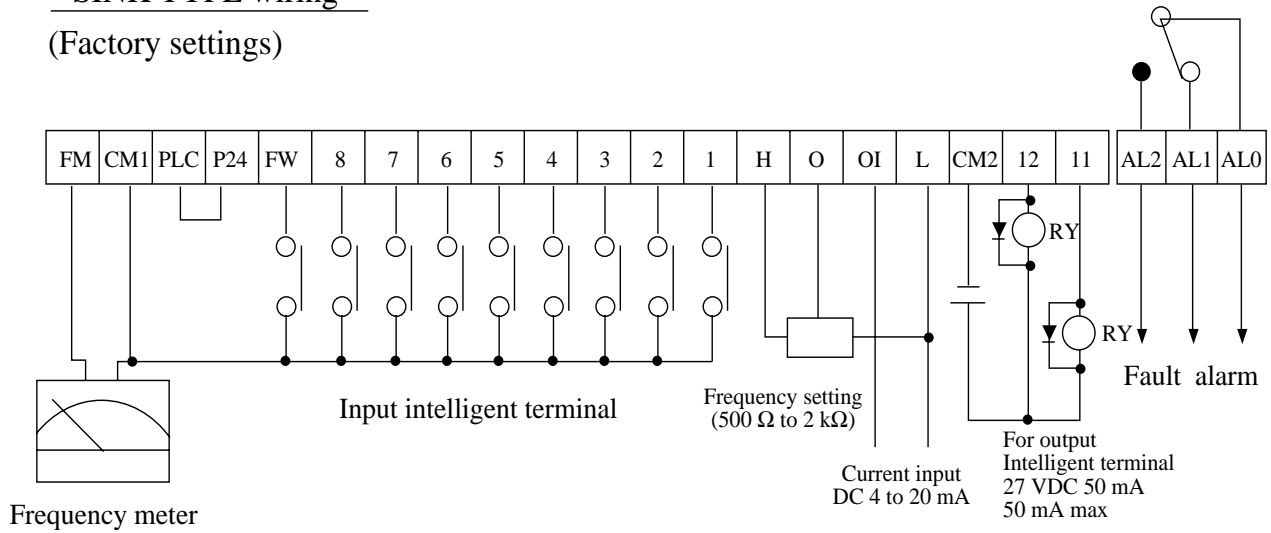
Suitable for use on a circuit capable of delivering not more than 10,000 rms symmetrical amperes,\*\*\* volts maximum,  
(where \*\*\* = input voltage)



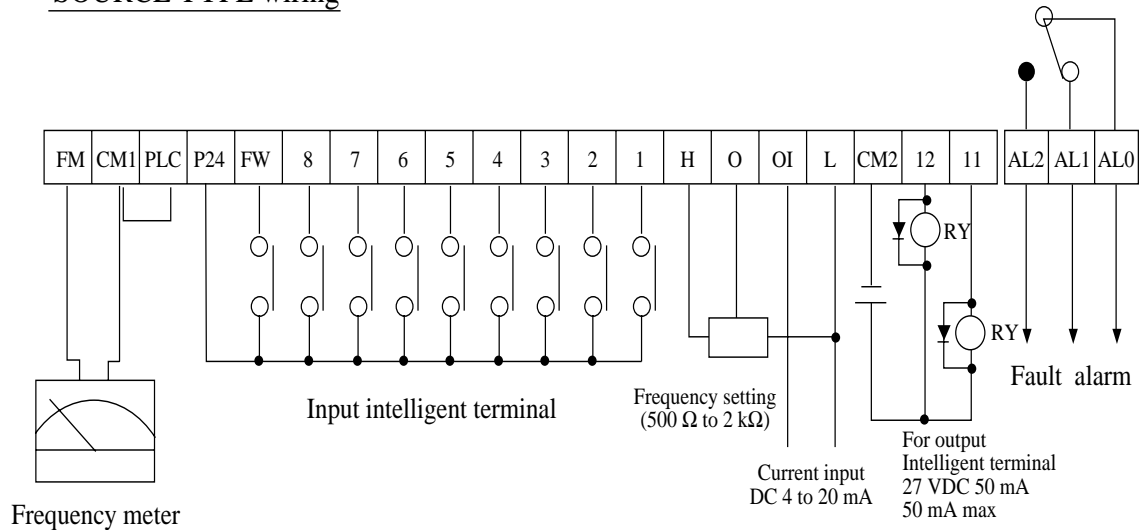
## 5.2 Wiring of Control Circuit Terminals

### SINK TYPE wiring

(Factory settings)

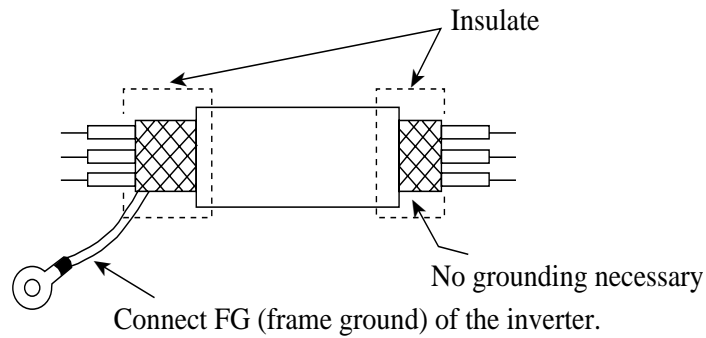


### SOURCE TYPE wiring



**NOTE 1:** When an output intelligent terminal is used, be sure to install a surge absorbing diode in parallel with the relay (RY). Otherwise, the surge voltage created when the relay (RY) goes ON or OFF may damage the output intelligent terminal circuit.

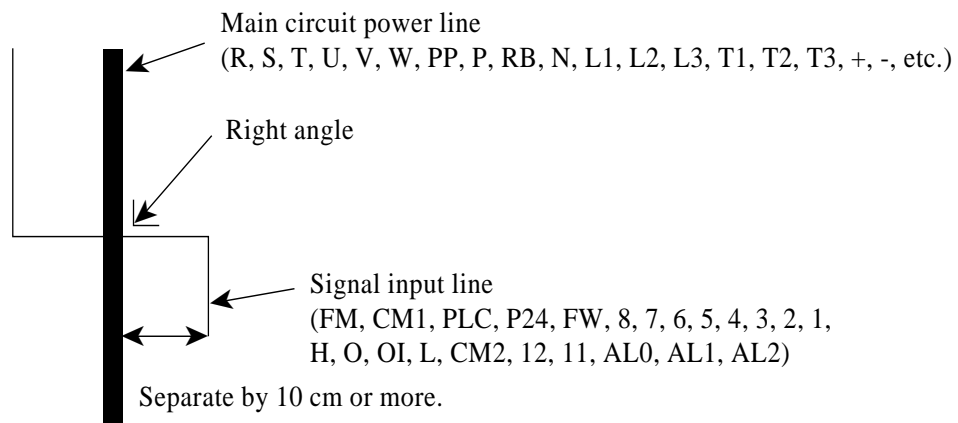
**NOTE 2:** Use a twisted and shielded wire for the signal line, and cut the shielded covering as shown in the diagram below. Make sure that the length of the signal line is 20 meters or less.



**NOTE 3:** When the frequency setting signal is turned on and off with a contact, use a relay which will not cause contact malfunctions, even with the extremely weak currents and voltages, such as crossbar twin contacts, etc.

**NOTE 4:** Use relays which do not have contact defects at 24 V DC, 3 mA for the other terminals.

**NOTE 5:** Separate the main circuit wiring from the relay control circuit wiring. If they must cross, be sure that they cross at a right angle.



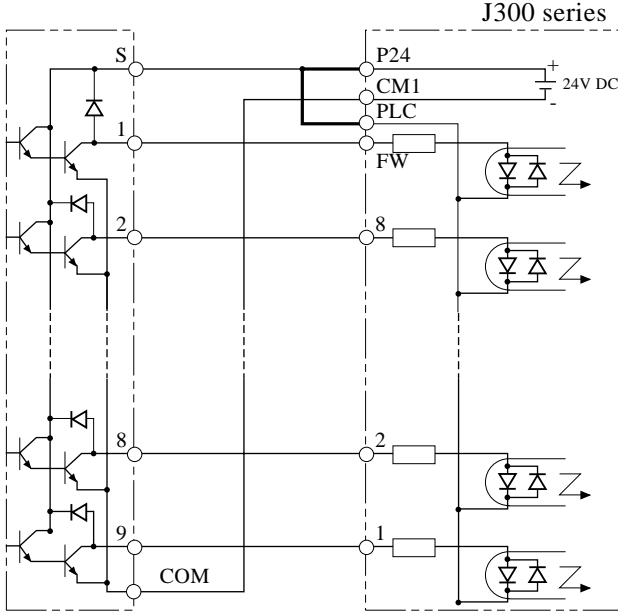
**NOTE 6:** Do not short between the terminals H and L and between the terminals P24 and CM1 of the control circuit.

**NOTE 7:** Insulate the common terminal L for frequency analog command input and the common terminal (COMMON) of the peripheral equipment such as the sequencer before starting use.

### 5.3 Connection to the Programmable Controller

- (1) When the internal interface power source is used  
 ① This is an example when the **sink type** transistor output (open collector output) module of the sequencer is connected

Note: Make sure of the short-circuit bar or wire between the terminals PLC and P24.

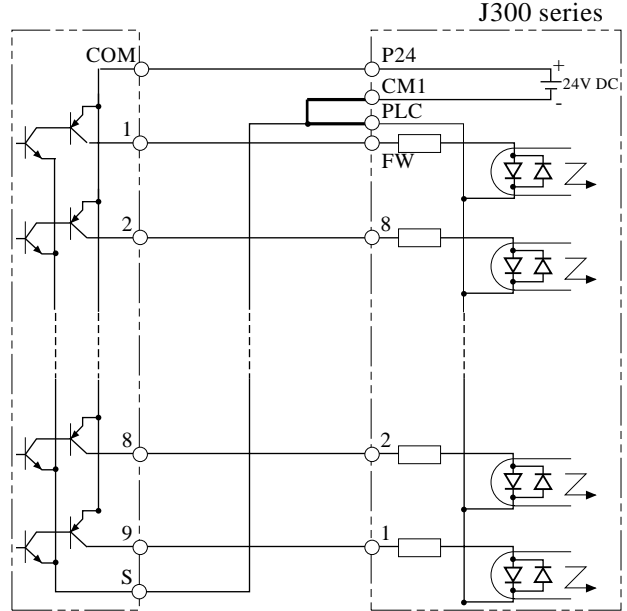


YTR48 type output module (by Hitachi)

Inverter

- ② This is an example when the **source type** transistor output (open collector output) module of the sequencer is connected

Note: Make sure of the short-circuit bar or wire between the terminals CM1 and PLC.

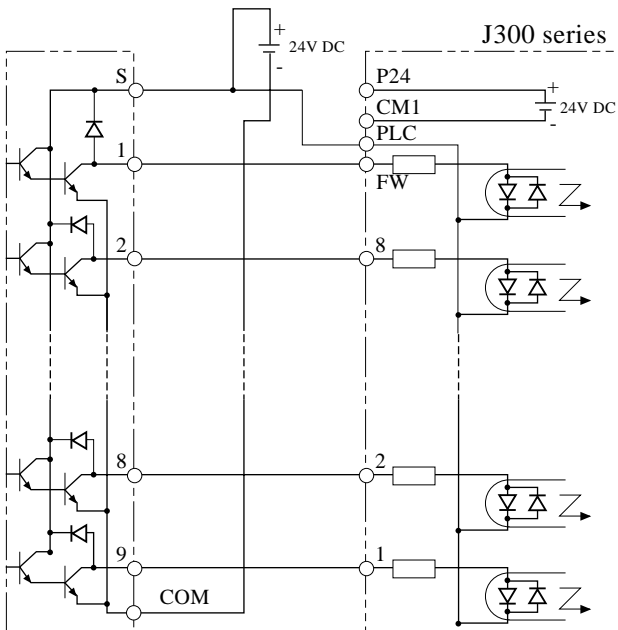


YTS48 type output module (by Hitachi)

Inverter

- (2) When the external interface power source is used  
 ① This is an example when the **sink type** transistor output (open collector output) module of the sequencer is connected

Note: Remove the short-circuit bar or wire between the terminals CM1 and PLC or P24 and PLC.

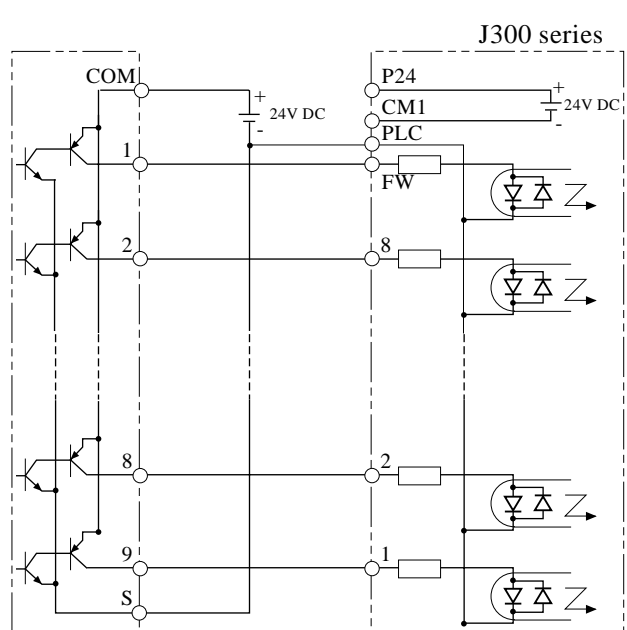


YTR48 type output module (by Hitachi)

Inverter

- ② This is an example when the **source type** transistor output (open collector output) module of the sequencer is connected

Note: Remove the short-circuit bar or wire between the terminals CM1 and PLC or P24 and PLC.

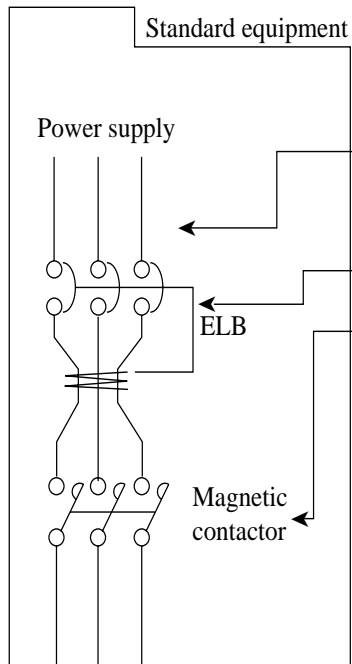


YTS48 type output module (by Hitachi)

Inverter

Note: Be sure to turn the inverter on after the controller and external power source are turned on. (Otherwise, the data in the inverter may be changed.)

## 5.4 Wiring Equipment, Options (EMI filter, etc.)

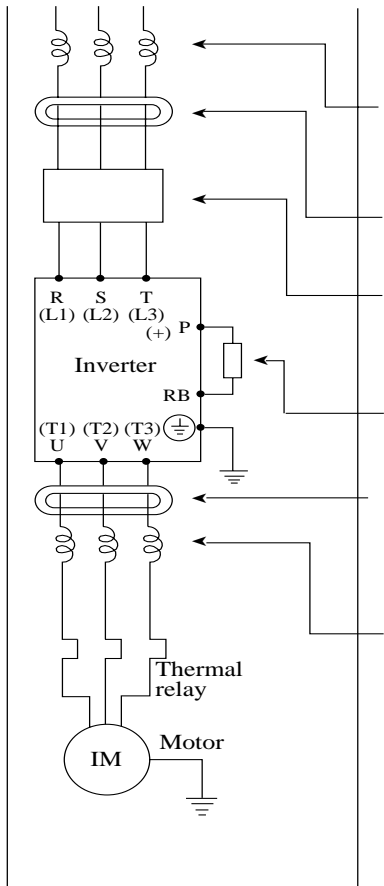


(200V class)

Inverter model	Wiring (AWG or Kcmil)					Applicable equipment			
	Constant torque		Variable torque		Power lines External resistor RB1,2,3, P,RB	Signal lines FM,CM1,PCL FW,8,7,6,5,4,3 2,1,H,O,OL,L, CM2,12,11	Signal lines P24,AL0,AL1 AL2	Earth leakage breaker (ELB)	Electro- magnetic contactor
	Motor output (kW)	Power lines R,S,T,U,V W,P,N	Motor output (kW)	Power lines R,S,T,U,V W,P,N					
J300-055LF	5.5	AWG 8 or more	7.5	AWG 8 or more	10 or more	AWG 18 Shielded wire  (When the number of shielded wires to be used is 11 or more, the section of each shielded wire should be AWG 20)	AWG 16 or more	EX50C(30A)	H20
J300-075LF	7.5	AWG 6 or more	11	AWG 6 or more	10 or more			EX50C(30A)	H20
J300-110LF	11	AWG 4 or more	15	AWG 4 or more	—			EX50C(50A)	H25
J300-150LF	15	AWG 3 or more	22	AWG 3 or more	—			EX60B(60A)	H35
J300-220LF	22	AWG 1/0 or more	30	AWG 1/0 or more	—			RX100(75A)	H50
J300-300LF	30	AWG 3/0 or more	37	AWG 3/0 or more	—			RX100(100A)	H65
J300-370LF	37	AWG 4/0 or more	45	AWG 4/0 or more	—			RX100(100A)	H80
J300-450LF	45	300 or more	55	300 or more	—			RX225(150A)	H100
J300-550LF	55	350 or more	75	350 or more	—			RX225(175A)	H125

(400V class)

Inverter model	Wiring					Applicable equipment			
	Constant torque		Variable torque		Power lines External resistor RB1,2,3, P,RB	Signal lines FM,CM1,PCL FW,8,7,6,5,4,3 2,1,H,O,OL,L, CM2,12,11	Signal lines P24,AL0,AL1 AL2	Earth leakage breaker (ELB)	Electro- magnetic contactor
	Motor output (kW)	Power lines R,S,T,U,V W,P,N	Motor output (kW)	Power lines R,S,T,U,V W,P,N					
J300-055HF	5.5	AWG 8 or more	7.5	AWG 8 or more	10 or more	AWG 18 Shielded wire  (When the number of shielded wires to be used is 11 or more, the section of each shielded wire should be AWG 20)	AWG 16 or more	EX50C(30A)	H20
J300-075HF	7.5	AWG 8 or more	11	AWG 8 or more	10 or more			EX50C(30A)	H20
J300-110HF	11	AWG 8 or more	15	AWG 8 or more	—			EX50C(50A)	H25
J300-150HF	15	AWG 6 or more	22	AWG 6 or more	—			EX60B(60A)	H35
J300-220HF	22	AWG 4 or more	30	AWG 4 or more	—			RX100(75A)	H50
J300-300HF	30	AWG 4 or more	37	AWG 4 or more	—			RX100(100A)	H65
J300-370HF	37	AWG 2 or more	45	AWG 2 or more	—			RX100(100A)	H80
J300-450HF	45	AWG 1 or more	55	AWG 1 or more	—			RX225(150A)	H100
J300-550HF	55	AWG 3/0 or more	75	AWG 3/0 or more	—			RX225(175A)	H125
J300-750HF	75	300 or more	90	300 or more	—			RX225(225A)	H150
J300-900HF	90	300 or more	110	300 or more	—			RX225(250A)	H220
J300-1100HF	110	350 or more	132	350 or more	—			RX400(350A)	H250
J300-1320HF	132	AWG 4 / 0 parallel	160	AWG 4 / 0 parallel	—			RX400(400A)	H400
J300-1600HF	160	300 parallel	220	300 parallel	—			RX600(600A)	H600
J300-2200HF	220	350 parallel	260	350 parallel	—			RX600(600A)	H600



Part description	Function
AC reactor for improving the power factor (ALI- □□L) (ALI- □□H)	This part is used when the unbalance voltage ratio is 3% or more and power supply is 500 kVA or more, and there is a rapid change in the power supply. It also improves the power factor.
Radio noise filter (Zero phase reactor) (ZCL-A)	Using the inverter may cause noise on the peripheral equipment through the power lines. This part reduces noise.
EMI filter for inverter (FFJ300-□□□)	This part reduces common noise generated between the power supply and the ground, as well as normal noise. Put it in the primary side of inverter.
Regenerative resistor (RB□□□-□)	This part is used for applications that needs to increase the brake torque of the inverter or to frequently turn on and off and to run high inertia load.
Radio noise filter (Zero phase reactor) (ZCL-A)	This part reduces noise generated at the output of the inverter. (It is possible to use for both input and output.)
AC reactor for reducing vibration (ACL-L-□□) (ACL-H-□□)	Running motors with the inverter generates vibration greater than that with commercial power supply. This part installed between the inverter and motor reduces torque ripple. When the cable length between the inverter and motor is long, a countermeasure for a malfunction of the thermal relay is taken.

**NOTE 1:** The applicable equipment is for Hitachi standard four pole squirrel-cage motor

**NOTE 2:** Be sure to consider the capacity of the circuit breaker to be used.

**NOTE 3:** Be sure to use bigger wires for power lines if the distance exceeds 20m.

**NOTE 4:** Be sure to use an grounding wire same size of power line or similar.

(\*) Use AWG 16 wire for the alarm signal wire.

Classify the detective current of the earth leakage breaker depending on the total distance between the inverter and the motor.

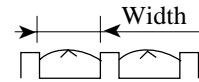
length	Detective current (mA)
100 m and less	30
300 m and less	100
600 m and less	200

**NOTE 5:** When using CV wire and metal tube, the leakage current is around 30 mA/km.

**NOTE 6:** The leakage current becomes eight times because IV wires have a high dielectric constant. Therefore, use an one class larger earth leakage breaker according to the left table.

## 5.5 Terminal

### (1) Main circuit terminal



Terminal layout	Type	Screw diameter	Width (mm)											
<table border="1" style="width: 100%; text-align: center;"> <tr> <td>G<math>\oplus</math> (PE)</td> <td>R (L1)</td> <td>S (L2)</td> <td>T (L3)</td> <td>RB (RB)</td> <td>P (+)</td> <td>N (<math>\text{\textcircled{D}}</math>)</td> <td>U (T1)</td> <td>V (T1)</td> <td>W (T1)</td> <td>G<math>\oplus</math> (PE)</td> </tr> </table>	G $\oplus$ (PE)	R (L1)	S (L2)	T (L3)	RB (RB)	P (+)	N ( $\text{\textcircled{D}}$ )	U (T1)	V (T1)	W (T1)	G $\oplus$ (PE)	055, 075LF 055,075HF	M5	13
G $\oplus$ (PE)	R (L1)	S (L2)	T (L3)	RB (RB)	P (+)	N ( $\text{\textcircled{D}}$ )	U (T1)	V (T1)	W (T1)	G $\oplus$ (PE)				
<table border="1" style="width: 100%; text-align: center;"> <tr> <td>G<math>\oplus</math> (PE)</td> <td>R (L1)</td> <td>S (L2)</td> <td>T (L3)</td> <td>P (+)</td> <td>N (<math>\text{\textcircled{D}}</math>)</td> <td>U (T1)</td> <td>V (T1)</td> <td>W (T1)</td> <td>G<math>\oplus</math> (PE)</td> </tr> </table>	G $\oplus$ (PE)	R (L1)	S (L2)	T (L3)	P (+)	N ( $\text{\textcircled{D}}$ )	U (T1)	V (T1)	W (T1)	G $\oplus$ (PE)	011, 150LF 011, 150HF	M6	17.5	
G $\oplus$ (PE)	R (L1)	S (L2)	T (L3)	P (+)	N ( $\text{\textcircled{D}}$ )	U (T1)	V (T1)	W (T1)	G $\oplus$ (PE)					
	220 to 370LF	M8	23											
	450, 550LF	M10	35											
<div style="text-align: center;"> <span>Internal short circuit bar</span> </div> <table border="1" style="width: 100%; text-align: center;"> <tr> <td>G<math>\oplus</math> (PE)</td> <td>R (L1)</td> <td>S (L2)</td> <td>T (L3)</td> <td>PD (+1)</td> <td>P (+)</td> <td>N (<math>\text{\textcircled{D}}</math>)</td> <td>U (T1)</td> <td>V (T1)</td> <td>W (T1)</td> <td>G<math>\oplus</math> (PE)</td> </tr> </table>	G $\oplus$ (PE)	R (L1)	S (L2)	T (L3)	PD (+1)	P (+)	N ( $\text{\textcircled{D}}$ )	U (T1)	V (T1)	W (T1)	G $\oplus$ (PE)	220 to 370HF	M6	17.5
G $\oplus$ (PE)	R (L1)	S (L2)	T (L3)	PD (+1)	P (+)	N ( $\text{\textcircled{D}}$ )	U (T1)	V (T1)	W (T1)	G $\oplus$ (PE)				
	450, 550HF	M8	23											
<div style="text-align: center;"> <span>Internal short circuit bar</span> </div> <table border="1" style="width: 100%; text-align: center;"> <tr> <td>G<math>\oplus</math> (PE)</td> <td>R (L1)</td> <td>S (L2)</td> <td>T (L3)</td> <td>PD (+1)</td> <td>P (+)</td> <td>N (<math>\text{\textcircled{D}}</math>)</td> <td>U (T1)</td> <td>V (T1)</td> <td>W (T1)</td> <td>G<math>\oplus</math> (PE)</td> </tr> </table>	G $\oplus$ (PE)	R (L1)	S (L2)	T (L3)	PD (+1)	P (+)	N ( $\text{\textcircled{D}}$ )	U (T1)	V (T1)	W (T1)	G $\oplus$ (PE)	750, 900HF	M10	35
G $\oplus$ (PE)	R (L1)	S (L2)	T (L3)	PD (+1)	P (+)	N ( $\text{\textcircled{D}}$ )	U (T1)	V (T1)	W (T1)	G $\oplus$ (PE)				
	1100HF	M10	40											
	1320 to 2200HF	M16	51											

### Main circuit

Terminal symbol	Terminal description	Function
R, S, T (L1),(L2),(L3)	Main power	Connect the power supply
U, V, W (T1),(T2),(T3)	Inverter output	Connect the motor
P, RB (+),(RB)	External braking resistor	Connect a braking resistor (option) * Only the 055LF/HF and 075LF/HF are equipped RB terminals .
P, N (+),(-)	Dynamic braking unit	Connect a dynamic braking unit (option)
G $\oplus$ (PE)	Ground	Ground (connect grounding to avoid electric shock)
PD (+1)	External choke coil	Connect a choke coil (DCL) for harmonics current reduction
$\oplus$	Ground at case	Ground (connect grounding to avoid electric shock)

Internal short circuit bar

DCL

Remove the internal short circuit bar when DCL is connected.

**⚠ WARNING**

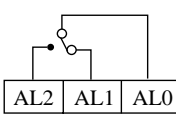
Wait until DC bus voltage is discharged after power supply is turned off. Otherwise, there is a danger of electric shock.

### (2) Control circuit terminal

The intelligent I/O terminals 1 to 8 and 11 and 12 are initialized as shown below at factory before shipment.

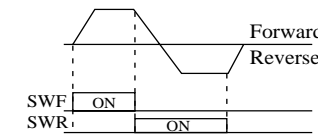
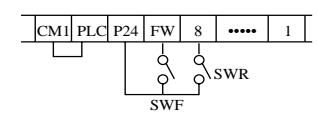
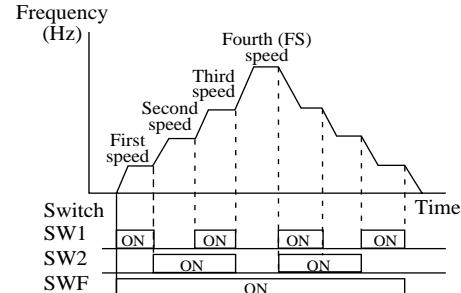
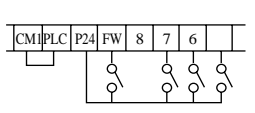
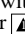
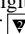
FM	CM1	PLC	P24	FW	REV	CF1	USP	CH1	FRS	JG	AT	RS	H	O	OI	L	CM2	RUN	FA1	AL2	AL1	AL0	
					↑	↑	↑	↑	↑	↑	↑	↑						↑	↑				
FM	CM1	PLC	P24	FW	8	7	6	5	4	3	2	1	H	O	OI	L	CM2	12	11	AL2	AL1	AL0	

Control circuit

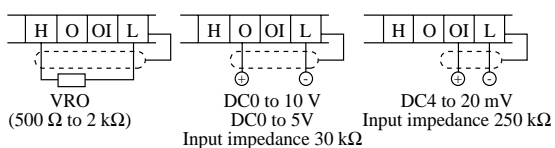
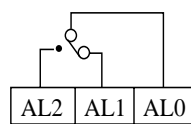
	Terminal symbol	Terminal description and function	Standard setting of intelligent terminal		Remarks
Input monitor signal	FM	Frequency monitor			Dry contact Close: ON (run) Open: OFF (stop)  Min. ON time: 20 ms or more  Note: If the power is turned on when the input terminals 1 to 5 are kept on, all the data stored in the inverter is initialized. Therefore, never turn the power on in such a state.
	CM1	Common for monitor			
	PLC	Common terminal for the external power source of the sequencer (PLC)			
	P24	Internal power source for the frequency monitor and intelligent input terminal			
	FW	Forward operation			
	8	Intelligent input terminal 8	REV	Reverse operation	
	7	Intelligent input terminal 7	CF1	Multistage speed (First stage)	
	6	Intelligent input terminal 6	USP	Prevention function of restart upon power on.	
	5	Intelligent input terminal 5	CH1	2 stage acc./dec.	
	4	Intelligent input terminal 4	FRS	Free run input signal	
	3	Intelligent input terminal 3	JG	Jogging	
	2	Intelligent input terminal 2	AT	Current input selection	
	1	Intelligent input terminal 1	RS	Reset (NOTE 1)	
Frequency command input	H	Power supply for frequency command			10 VDC
	O	Voltage frequency command			0-5 VDC (nominal), 0-10 VDC (nominal)(Input impedance 30 kΩ)
	OI	Current frequency command			DC 4-20 mA (nominal) Input impedance 250Ω
	L	Common for frequency command			
Output signal	CM2	Common for intelligent output terminal			
	12	Intelligent output signal 12	RUN	Run signal	27 VDC 50 mA max
	11	Intelligent output signal 11	FA1	Frequency arrival signal	
Fault alarm output	AL0	 <p>Normal: AL0-AL1 close                      Abnormal, Power off: AL0-AL1 open</p>	Contact rating		$\left( \begin{array}{l} \text{Min 100 VAC} \\ 10 \text{ mA} \\ 5 \text{ VDC} \\ 100 \text{ mA} \end{array} \right)$
	AL1		250 VAC 2.5 A (Resistor load) 0.2 A (cos $\phi$ =0.4)		
	AL2		30 VDC 3.0 A (Resistor load) 0.7 A (cos $\phi$ =0.4)		
<div style="border: 1px solid black; padding: 5px; display: inline-block;"> <p><b>⚠ CAUTION</b>                      Alarm connection may contain hazardous live voltage even when inverter is disconnected. In case of removing front cover for maintenance or inspection, confirm that incoming power for alarm connection is surely disconnected.</p> </div>					

**NOTE1:** Terminal RS can use only contact a (normally open). It cannot use contact b (normally closed).

## 5.6 Control Circuit Terminals

Terminal symbol	Terminal name	Description		
FM	Monitor terminal	Analog: Output frequency, current, torque Digital: Output frequency x frequency converted value (Set in the remote operator monitor mode), max. pulse: 3.6 kHz		
CM1	Common terminal 1	Common terminal for the monitor terminal		
PLC	Internal interface common	Common terminal for the external power source of the sequencer		
P24	Input signal power source	Internal power source for the contact input terminal and frequency monitor terminal, 24 VDC. Common for the FW terminal and intelligent input terminals		
FW	Forward run/stop terminal	OUTPUT frequency 		
REV	Reverse run/stop			
1 to 8	CF1	Multistage speed	SW1	<p>Frequency (Hz)</p>  <p>(Source type)</p>  <ul style="list-style-type: none"> <li>When setting frequency, connect P24 and 6 or 7 and set with digital operator  or .</li> </ul>
	CF2		SW2	
	CF3 (NOTE 1)		SW3	
	JG	Jogging	Jogging run	
DB	External DC braking	DC braking input signal		
STN	Initialization	Initialization (shipment status at factory) input		
SET	2nd function	The output frequency setting, base and maximum frequencies, control method, motor constant, acceleration or deceleration time, manual torque boost setting, and electronic thermal setting are changed in batch.		
CH1	Two-stage acceleration or deceleration	The acceleration or deceleration time or selection of two-stage accration or deceleration is changed by turning the contact ON.		
FRS	Free run stop	The inverter stops and the motor stops free run FRS functions when the contact is opened. (European version)		
EXT	External trip	External trip input signal (The contact is open.)		
USP	Power-ON restart prevention	Restart prevention when the power is turned on in the RUN state (The contact is open.)		
CS	Commercial power source switching	Switch signal from the commercial power source to inverter drive (Note: When the terminal is used, a trip is also conceled.)		
SFT	Terminal software lock	The data of all functors except for output frequency setting is locked. See 12-9 [F-25].		
AT	Analog input command	Analog input voltage-current switching (When the contact is ON, current input signal to OI-L is active.)		
RS	Reset	Trip or alarm signal is reset.		
UP	Remote control function, acceleration	When the contact is turned ON, the operation is accelerated. (Available only when the frequency command is sent to the operator.)		
DWN	Remote control function, deceleration	When the contact is turned ON, the operation is decelerated. (Available the frequency command is sent to the operator.)		

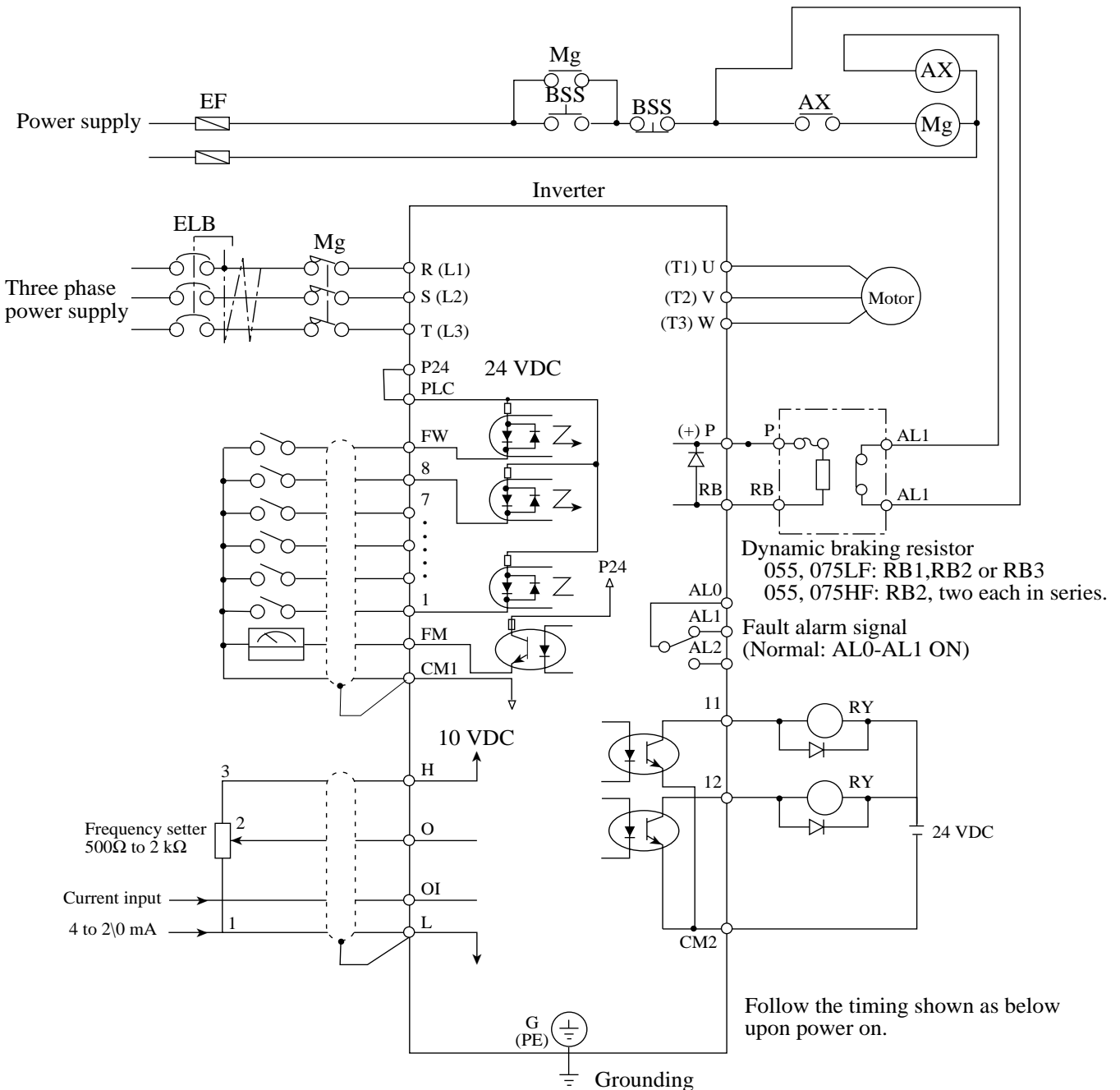


Terminal symbol	Terminal name	Description												
H	Frequency command power terminal	<ul style="list-style-type: none"> <li>Initialization of a voltage signal by an external command is between 0 and 10 VDC. (Switching from 0 to 5V is executed by A48.) When inputting 4 - 20 mA, turn the input terminal at ON.</li> </ul>  <p>When a current is inputted from between OI and L and the value is 4 mA, the output frequency may 0.6 Hz. If this occurs, set a value more than the frequency which is outputted by [A 4] start frequency setting.</p> <p><b>(NOTE 2)</b></p>												
O	Frequency command terminal (voltage command)													
OI	Frequency command terminal (current command)													
L	Frequency command common terminal													
CM2	Common terminal 2	Common terminal for intelligent output terminal												
11 • 12	FA1	Frequency arrival signal	When each operator is used, and arrival signal can be outputted at an optional frequency.											
	RUN	Signal during run	The transistor output is turned ON during running. (Outputted even during DC injection braking)											
	OTQ	Over-torque signal	The transistor output is turned ON when the torque is more than the set value. The set value can be changed by the remote operator. Use this function only under the sensor less vector control.											
AL0	Fault alarm terminal	 <p>Normal: AL0-AL1 close Abnormal, Power off: AL0-AL1 open</p> <p>Contact rating</p> <table border="0"> <tr> <td>250 VAC</td> <td>2.5 A (Resistor load)</td> <td>Min 100Vac</td> </tr> <tr> <td></td> <td>0.2 A (Cosφ=0.4)</td> <td>10 mA</td> </tr> <tr> <td>30 VDC</td> <td>3.0 A (Resistor load)</td> <td>5 VDC</td> </tr> <tr> <td></td> <td>0.7 A (cosφ=0.4)</td> <td>100 mA</td> </tr> </table>	250 VAC	2.5 A (Resistor load)	Min 100Vac		0.2 A (Cosφ=0.4)	10 mA	30 VDC	3.0 A (Resistor load)	5 VDC		0.7 A (cosφ=0.4)	100 mA
250 VAC			2.5 A (Resistor load)	Min 100Vac										
			0.2 A (Cosφ=0.4)	10 mA										
30 VDC	3.0 A (Resistor load)	5 VDC												
	0.7 A (cosφ=0.4)	100 mA												
AL1														
AL2														

**NOTE 1:** To set four or more multispeeds, use the CF3 terminal.

**NOTE 2:** When an inconvenience occurs in the above characteristics, adjust it using **AB0** and **AB1**. The sum of both analog input signals is outputted. When selecting one of analog input current and voltage, make sure that the other is not inputted.

## 5.7 Terminal Connection Diagram

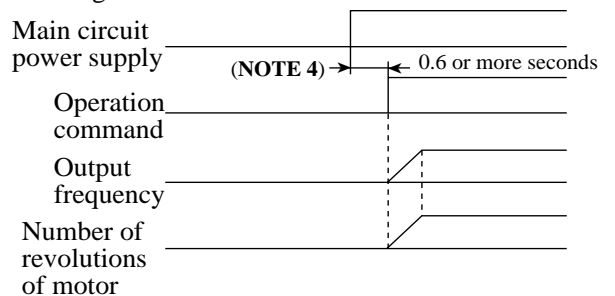


**NOTE 1:** Common terminal for each terminal is different.

Terminal name	FM	FW, 8 to 1	H, O, OI	11, 12
Command	CM1	CM1 (P24)*	L	CM2

\*: P24 is for source type wiring.

**NOTE 2:** The regenerative resistor has a temperature sensor. When it works, turn off power supply to the inverter or set the deceleration time longer.



**NOTE 3:** When the operation command is input first and the main circuit power is turned ON, and direct start results and a trip occurs.

**NOTE 4:** Do not input the operation command simultaneously when the main circuit is turned on.

## 6. OPERATION

### 6.1 Before Starting Operation

Prior to the test run, check the following.



#### WARNING


- \* Be sure to turn on the input power supply after mounting the surface cover. While being energized, be sure not to remove the cover. Otherwise, there is a danger of electric shock.
- \* Be sure not to operate the switches with wet hands. Otherwise, there is a danger of electric shock.
- \* While the inverter is energized, be sure not to touch the inverter terminals even during stoppage. Otherwise, there is a danger of electric shock.
- \* If the re-try mode is selected, it may suddenly restart during the trip stop. Be sure not to approach the machine. (Be sure to design the machine so that personnel safety will be secured even if it restarts.) Otherwise, there is a danger of injury.
- \* Even if the power supply is cut for a short period of time, it may restart operation after the power supply is recovered if the operation command is given. If it may incur danger to personnel, be sure to make a circuit so that it will not restart after power recovery. Otherwise, there is a danger of injury.
- \* The Stop Key is effective only when the function is set. Be sure to prepare the Key separately from the emergency stop. Otherwise, there is a danger of injury.
- \* After the operation command is given, if the alarm reset is conducted, it will restart suddenly. Be sure to set the alarm reset after checking the operation command is off. Otherwise, there is a danger of injury.
- \* Be sure not to touch the inside of the energized inverter or to put a bar into it. Otherwise, there is a danger of electric shock and/or fire.



## CAUTION

- \* Radiating fin and discharging resistor will have high temperature. Be sure not to touch them.  
Otherwise, there is a danger of getting burned.
- \* Low to high speed operation of the inverter can be easily set. Be sure to operate it after checking the tolerance of the motor and machine.  
Otherwise, there is a danger of injury.
- \* If a motor is operated at a frequency higher than 60Hz, be sure to check the speeds of the motor and the machine with each manufacturer, and after getting their consent, operate them.  
Otherwise, there is a danger of machine breakage.

### Note:

- (1) Make sure that the power lines (input power supply R(L1), S(L2) and T(L3), and output terminals, U(T1), V(T2) and W(T3)) are connected correctly.
- (2) Make sure that there are no mistakes in the signal line connections.
- (3) Make sure that the inverter case () is grounded.
- (4) Make sure that terminals other than those specified are not grounded.
- (5) Make sure that the inverter is installed vertically on a wall, and a nonflammable material such as a steel plate is used as a mounting surface.
- (6) Make sure that there are no short-circuits caused by stray pieces of wire, solderless terminals or other objects left from wiring work. Also, make sure that no tools have been left behind.
- (7) Make sure that the output wires are not short-circuited or grounded.
- (8) Make sure that there are no loose screws or terminals.
- (9) Make sure that the maximum frequency setting matches the machine specifications.

Be sure to refer to page 10-2 when conducting insulation resistance and withstand voltage tests. Never test terminals other than those which are indicated.

## 6.2 Test Run



### CAUTION

Check the following before and during the test run.  
Otherwise, there is a danger of machine breakage.

- Was the direction of the motor correct?
- Was the inverter tripped during acceleration or deceleration?
- Were the SPEED (rpm) and frequency meter correct?
- Were there any abnormal motor vibrations or noise?

When overcurrent tripping or overvoltage tripping occurs during the test run, increase the acceleration time or deceleration time.

Factory settings

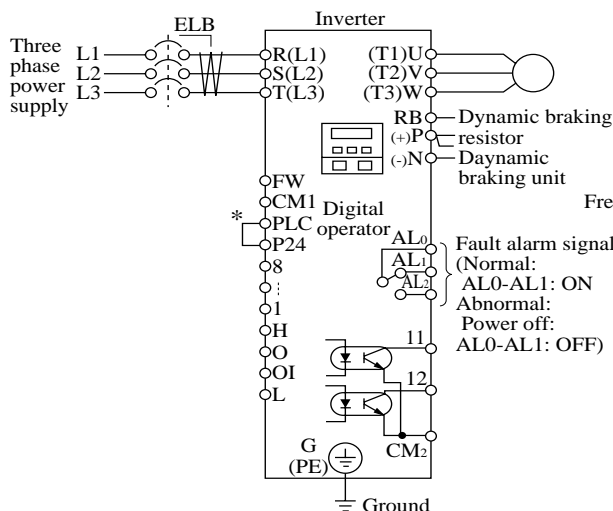
Maximum frequency: 60 Hz  
Forward operation

An example of a general connection diagram is shown below.

#### Operating with digital operator:

When setting frequency, run and stop with digital operator.

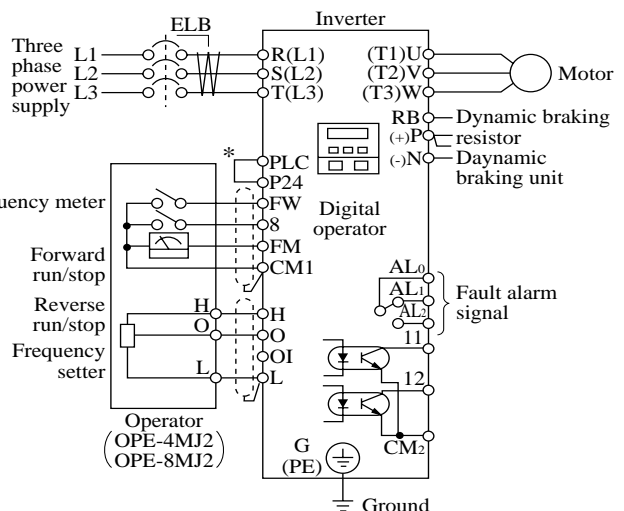
(The same way as remote operator (DOP) or copy with (DRW).)



#### Running from external command:

When setting frequency, run and stop from external command (FW,RV Terminal.)

The following shows run from the operation box (OPE-4MJ2,OPE-8MJ2)



\*: For sink type wiring.

## Operating with digital operator:

### Procedure

- (1) Turn on ELB to supply power to the inverter. Make sure that the **POWER** LED on the digital operator turns ON.
- (2) Press the **FUNC** key once to display **d 0**.
- (3) Press **▲** of the digital operator four times to display **F 9**.
- (4) Press the **FUNC** key and then press the **▲** key to set **00**. Press the **FUNC** key to establish the data.
- (5) Press the **▲** key four times to display **d 0**.
- (6) Press **▲** of the digital operator five times to display **F 2**.
- (7) Press the **FUNC** key and then the **▲** key so as to increase to frequency or the **▼** key so as to decrease the frequency.  
(When the **▲** or **▼** key is pressed continuously, the frequency is changed continuously.)  
When the **FUNC** key is pressed, **F 2** is displayed.
- (8) Check the output frequency and rotation direction. When the **▲** or **▼** key is pressed to display **F 4** and then the **FUNC** key is pressed, the rotation direction can be checked. **F** indicates forward rotation and **r** indicates reverse rotation. When the rotation direction is checked, press the **FUNC** key. When the rotation direction cannot be found, operate the equipment at a low frequency to check the rotation direction.
- (9) Press the **RUN** key. The equipment starts running.
- (10) Press the **STOP/RESET** key. The equipment decelerates and stops.

## Runnign from external command:

- (4) Press the **FUNC** key and then press the **▲** key to set **03**. Press the **FUNC** key to establish the data.
- (5) Press the **▲** key four times to display **d 0**.
- (6) Short the terminals FW and P24 (CM1\*) of the control terminal block.
- (7) Apply a voltage between the terminals O and L to start running.
- (8) Open the terminals FW and P24 (CM1\*) of the control terminal block to stop deceleration.

\*: Symbols are indicated for Sink type wiring. Refer to page 5-5.

- The failure alarm signal is generated from the terminal AL0 and AL1 when a failure happens. At this time the contents of the failure are displayed on the digital operator.
- Whether the alarm terminal output is to be turned on or off during normal run can be selected by the extension function C21.

The alarm output terminals at initial setting are as follows (1).

The alarm output terminals are variable as follows (2) by setting C21.

(1) Contact b					(2) Contact a				
During normal operation		At occurrence of an alarm or power off			During normal operation or at power off		At occurrence of an alarm		
Contact	Power	Operation Status	AL0-AL1	AL0-AL2	Contact	Power	Operation Status	AL0-AL1	AL0-AL2
b (initial setting)	ON	Normal	Closed	Open	a	ON	Normal	Open	Closed
	ON	Abnormal	Open	Closed		ON	Abnormal	Closed	Open
	OFF	Ñ	Open	Closed		OFF	Ñ	Open	Closed

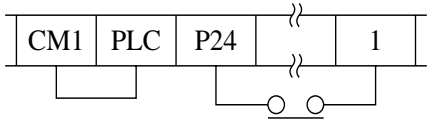
- Contact specification

Maximum	Minimum
250 VAC 2.5 A (Resistor load) 0.2 A ( $\cos \phi=0.4$ )	100 VAC 10 mA
30 VDC 3.0 A (Resistor load) 0.7 A ( $\cos \phi=0.4$ )	5 VDC 100 mA

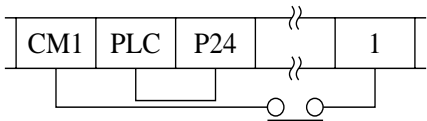
Working voltage: Max. 50 V

- Saving the alarm signal  
When an alarm signal is outputted, the alarm signal data is stored even if the input power is turned off and the contents can be checked by turning the power on once again. However, when the input power is turned off, the inverter control power is also turned off. As a result, when the power is turned on next, the alarm contact output is reset (deleted). Therefore, when saving the alarm contact output, let the external sequence receive and save it and then turn off the inverter input power.
- When the alarm contact output is set ON during normal run, a time delay occurs until the contact is closed when the power is turned on. Therefore, when using the alarm contact output, set a time delay of about 2 seconds when the power is turned on.

Resetting (Any one of A, B and C is possible)



When the internal interface power source P24-CM1 is used (Source type wiring)



When the internal interface power source P24-CM1 is used (Sink type wiring)

A) Turn control terminal 1 on. (In the initialization at factory before shipment, intelligent input terminal 1 is allocated to the reset RS terminal.)

B) Press  on the digital operator. (This is effective only when an alarm occurs.)

C) Open the power receiving breaker of the inverter, and make sure that the Charge lamp on the control board goes out. (See page 3-1.) Then, close the power receiving breaker.

**NOTE:** When the control circuit terminal RS is used, never short-circuit RS-P24 (CM1\*) for four seconds or more. Otherwise, a communication error R-ERROR COMM<2> may occur (Although the digital operator display is , the inverter is normal). When the above error occurs, open the RS terminal and press the operator key.

\*: For sink type wiring

How to return to the initialization (state before shipment)

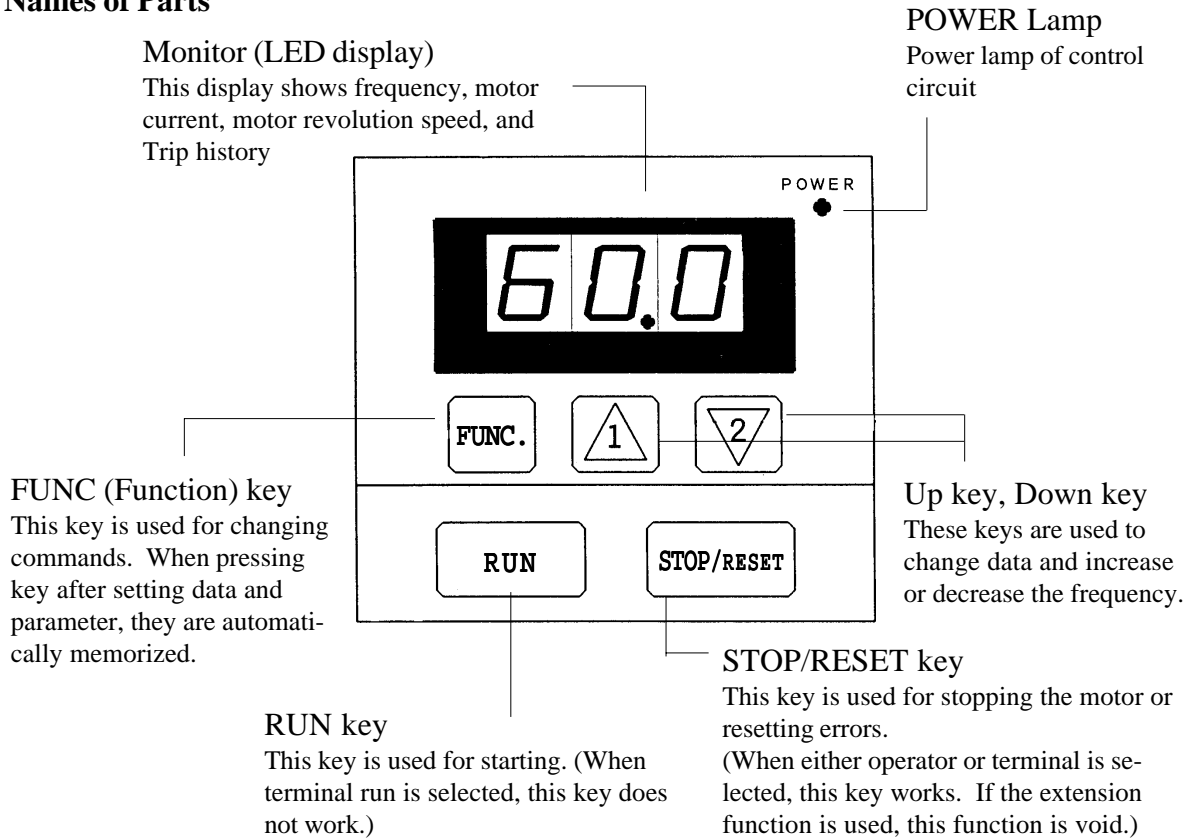
When returning the equipment to the initial state set at factory before shipment for some reason, see page 7-14.



## 7. OPERATION OF THE DIGITAL OPERATOR

The standard type digital operator is modified so as to be used easily by minimizing key operations. Data can be set simply.

### 7.1 Names of Parts

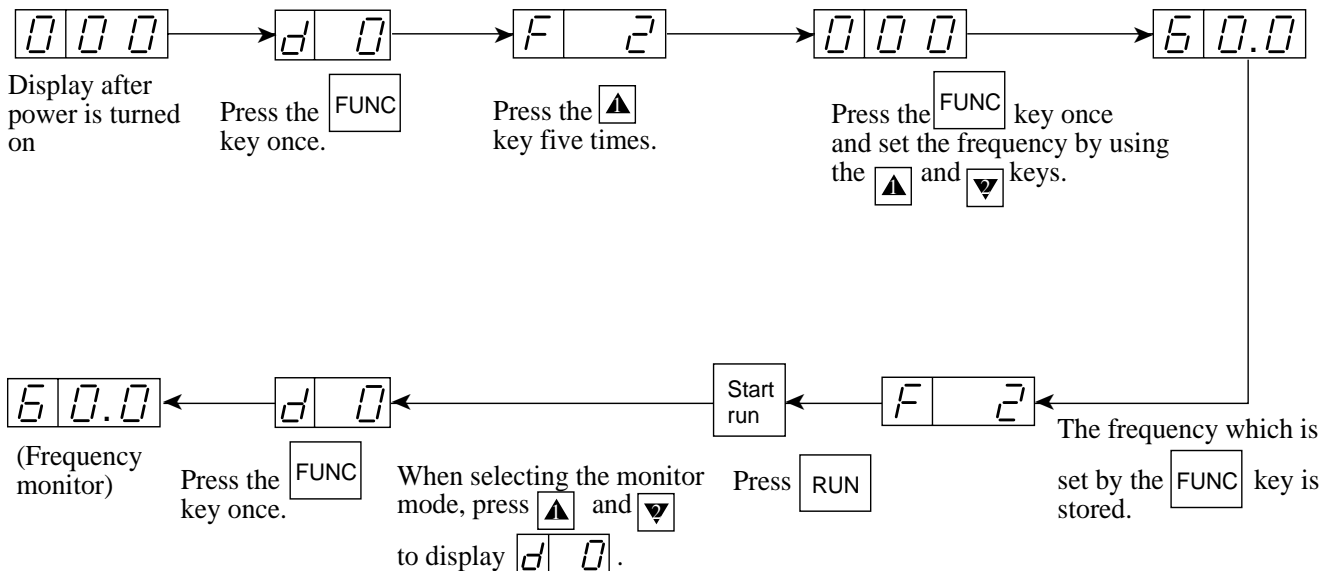


### WARNING

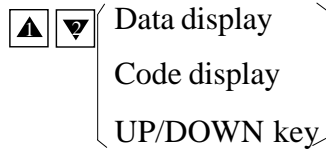
- The STOP/RESET key works only when a function is set. Prepare an emergency switch separately. The use of the STOP/RESET key as an emergency switch may cause an injury.

### 7.2 Operation Procedure

(Example that the frequency is set and the equipment starts running)



### 7.3 Key Description



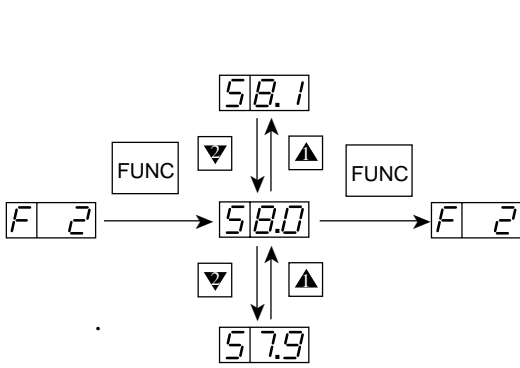
The key are used to select the code and change the data. When the ▲ key is pressed once, the monitor mode  $d \ 0$  is displayed first and then  $d \ 1$ ,  $d \ 2$ ,  $F11$ , ... are one by one. If the ▲ key is pressed once again when  $F14$  is displayed, the display is returned to  $d \ 0$ .

If an optional code is selected when  $F14$  is displayed and the **FUNC** key is pressed, the extension function mode can be selected.

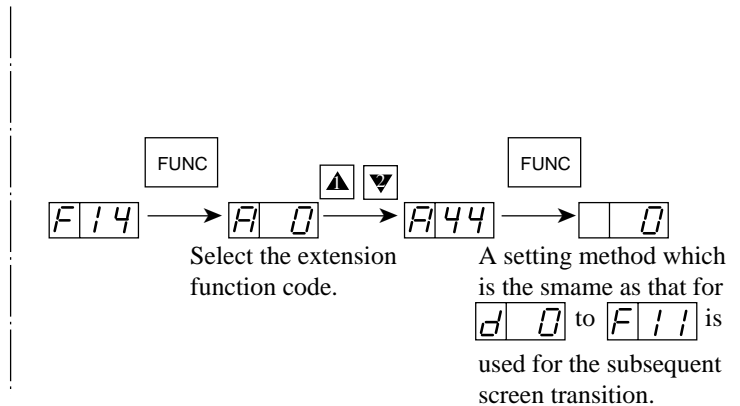


[Function key] ... This key allows the selection of commands and memorizes parameters.

When this key is pressed once in the state of  $d \ 0$ ,  $F11$ , the data state is set. When the key is pressed once in the state of  $F14$ , the extension function code selection state is set.



$d \ 0$  -  $F11$  screen transition



$F14$  screen transition



[RUN key] ... This key starts the run.

The set value of F4 determines a forward run or a reverse run.

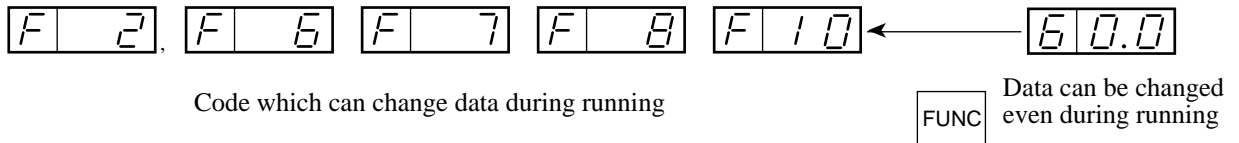
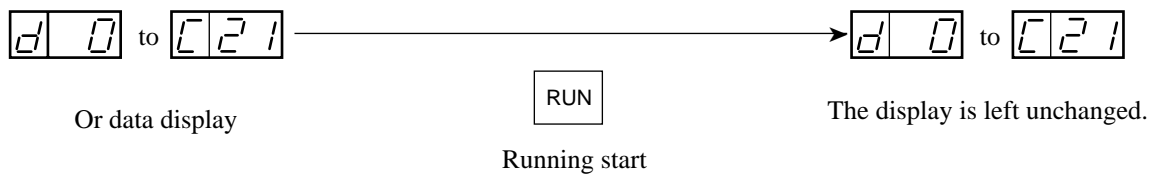


[STOP/RESET key] ... This key stops the run.

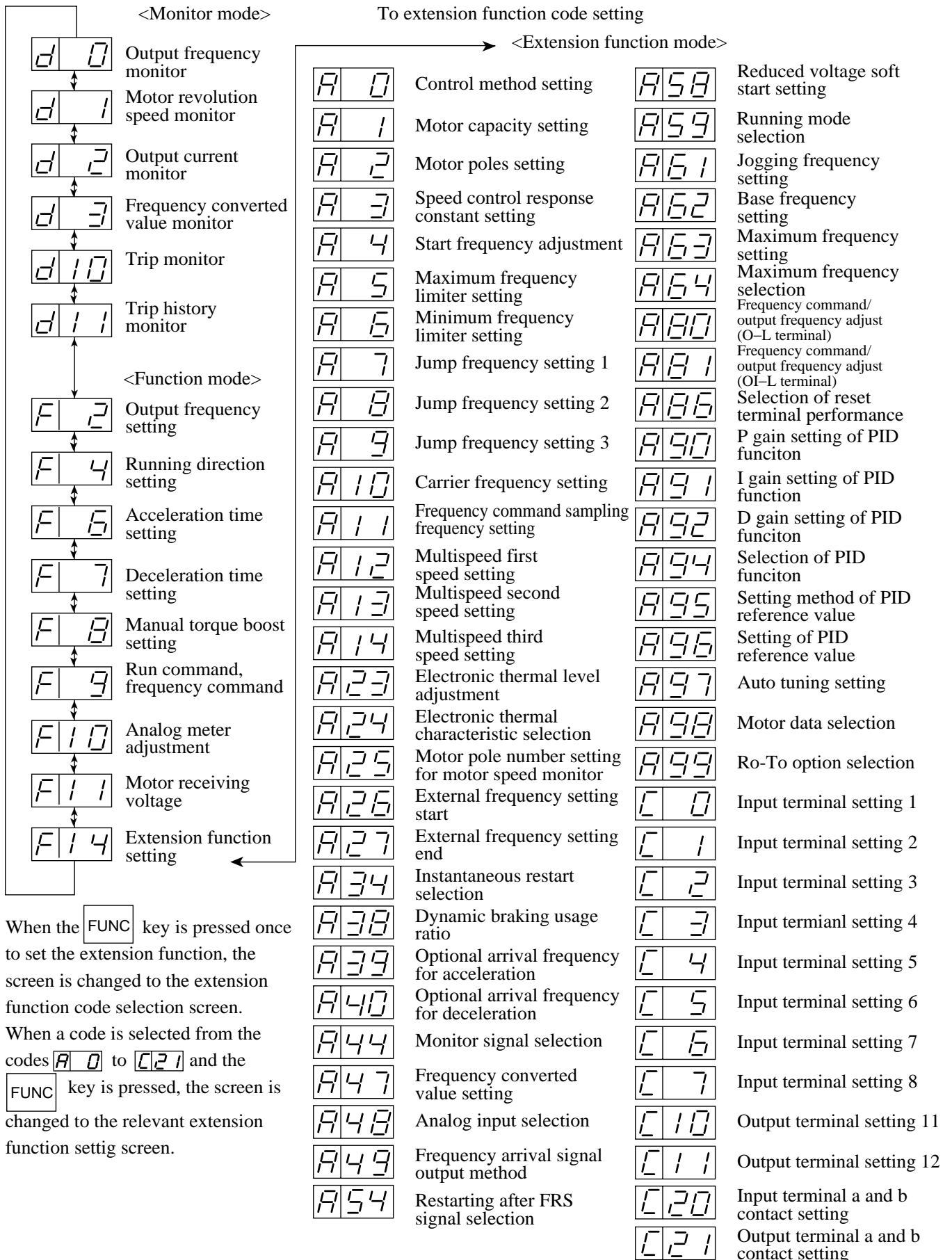
When a trip occurs, this key becomes the reset key.

## 7.4 Explanation of Screen Display

- When the inverter is turned on, the latest display appears. However, when the display unit for data of the commands F2 to F14 is turned off, the commands (F2 to F14) are displayed. (d10 and d11 excluded)
- Data during running in any function mode or extension function mode can be displayed. Even if data cannot be changed during running, data can be monitored.
- In each of the function modes **F 2**, **F 6**, **F 7**, **F 8**, and **F 10**, data can be changed even during running. In other function modes and extension function modes, data cannot be set during running.



## 7.5 Transition of Each Code



## 7.6 Digital Operator Initialization List

### (1) Monitor mode, function mode

- The standard set value of each code number is displayed.
- The extension functions shown on page 7-6 can be set by the **F14** extension function setting function.

Display order	Function name	Type	Screen display			Initial value	Settable for 2nd function	Set value
			Code display	Settable during running	Monitor/set value			
1	Output frequency monitor	Monitor	d 0	—	0.00-9.99/10.0-99.9/100-400	—	—	
2	Motor revolution speed monitor	Monitor	d 1	—	0.00-9.99/10.0-99.9/100-600	—	—	
3	Output current monitor	Monitor	d 2	—	0.0-999	—	—	
4	Frequency converted value monitor	Monitor	d 3	—	0.00-9.99/10.0-99.9/100.-999. 100-999/Γ10-Γ99	—	—	
5	Trip Monitor	Monitor	d10	—	—	—	—	
6	Trip history monitor	Monitor	d11	—	—	—	—	
7	Output frequency setting	Set value	F 2	√	0.00-9.99/10.0-99.9/100-400	0.00	√	
8	Running direction setting	Set value	F 4	Not possible	F/r (forward run/reverse run)	F	—	
9	Acceleration time setting 1	Set value	F 6	√	0.01-9.99/10.0-99.9/100-999	30.0	√	
10	Deceleration time setting 1	Set value	F 7	√	0.01-9.99/10.0-99.9/100-999	30.0	√	
11	Manual torque boost setting	Set value	F 8	√	00-99 <b>NOTE 3</b>	11	√	
12	Runn command, frequency command setting	Set value	F 9	Not possible	00-15 <b>NOTE 1</b>	03	—	
13	Analog meter adjustment	Set value	F10	√	00-250	172	—	
14	Motor receiving voltage	Set value	F11	Not possible	200-230/380-480 <b>NOTE 2</b>	230/460	—	
15	Extension function setting	Set value	F14	Not possible	A 0-A99/C 0-C21	A 0	—	

**NOTE 1:** In the standard configuration, four values from 0 to 3 can be selected. When an optional PC board is mounted, 16 values from 0 to 15 can be selected. Refer to F-9.

**NOTE 2:** For the 200 V class, one of 200, 215, 220, and 230 can be selected.

For the 400 V class, one of 380, 400, 415, 440, 460 and 480 can be selected.

**NOTE 3:** Set torque boost in 70 to 90 when using VP1, VP2 or VP3 in V/F control mode.

(2) Extension function mode

- Each function name and settable range to the extension function mode are shown below.
- Set the extension function code to be changed by **F14**.

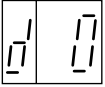
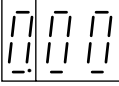
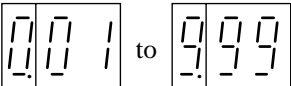
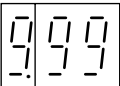


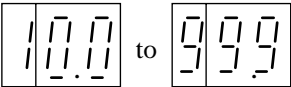
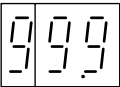
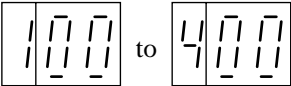
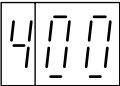
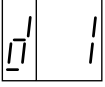
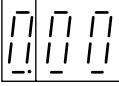
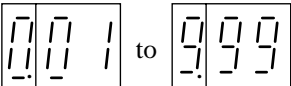
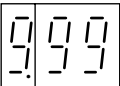


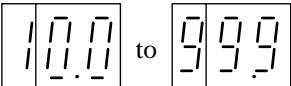
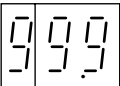
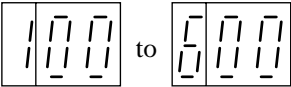
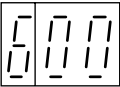
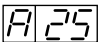
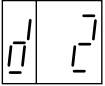
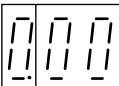
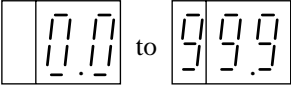
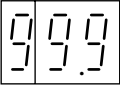
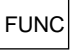
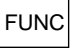
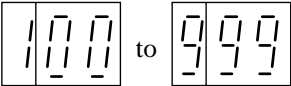
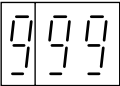
Display order	Extersion function name	Screen display			Settable for 2nd function	Remarks	Set value
		Code display	Settable during running	Setting range			
1	Control method setting	A 0	Ñ	0-5	0	√	
2	Motor capacity setting	A 1	Ñ	3.7 to 160		√	<b>NOTE 1</b>
3	Motor poles setting	A 2	Ñ	2/4/6/8	4	√	
4	Speed control response constant setting	A 3	Ñ	0.00-9.99/10.0-99.9/100	2.00	√	
5	Start frequency adjustment	A 4	Ñ	0.10-9.99	0.50	Ñ	
6	Maximum frequency limiter setting	A 5	Ñ	0-120 (400)	0	Ñ	
7	Minimum frequency limiter setting	A 6	Ñ	0-120 (400)	0	Ñ	
8	Jump frequency setting 1	A 7	Ñ	0-400	0	Ñ	
9	Jump frequency setting 2	A 8	Ñ	0-400	0	Ñ	
10	Jump frequency setting 3	A 9	Ñ	0-400	0	Ñ	
11	Carrier frequency setting	A10	Ñ	2.0-16.0	(16.0)	Ñ	See 7-18
12	Frequency command sampling frequency	A11	Ñ	1-8	8	Ñ	
13	Multispeed first speed setting	A12	Ñ	0-120 (400)	0	Ñ	
14	Multispeed second speed setting	A13	Ñ	0-120 (400)	0	Ñ	
15	Multispeed third speed setting	A14	Ñ	0-120 (400)	0	Ñ	
16	Electronic thermal level adjustment	A23	Ñ	20-120	100	√	
17	Electronic thermal characteristic selection	A24	Ñ	0-2	1	√	
18	Motor pole number setting for motor speed monitor	A25	Ñ	2 to 48	4	Ñ	
19	External frequency setting start	A26	Ñ	0-120 (400)	0	Ñ	
20	External frequency setting end	A27	Ñ	0-120 (400)	0	Ñ	
21	Instantaneous restart selection	A34	Ñ	0-3	0	Ñ	
22	Dynamic braking usage ratio	A38	Ñ	0.0-99.9/100	(1.5)	Ñ	See 7-21
23	Optional arrival frequency for acceleration	A39	Ñ	0-400	0	Ñ	
24	Optional arrival frequency for deceleration	A40	Ñ	0-400	0	Ñ	
25	Monitor signal selection	A44	Ñ	0-3	0	Ñ	
26	Frequency converted value setting	A47	Ñ	0.0-99.9	1.0	Ñ	
27	Analog input selection	A48	Ñ	0-1	1	Ñ	
28	Frequency arrival signal output method	A49	Ñ	0-2	0	Ñ	
29	Restarting after FRS signal selection	A54	Ñ	0-1	1	Ñ	
30	Reduced voltage soft start setting	A58	Ñ	0-6	6	Ñ	
31	Running mode selection	A59	Ñ	0-2	0	Ñ	
32	Jogging frequency setting	A61	Ñ	0-9.99	1.00	Ñ	Frequencies below the start frequency cannot be set.
33	Base frequency setting	A62	Ñ	30-120 (400)	60	√	
34	Maximum frequency setting	A63	Ñ	30-120 (400)	60	√	
35	Maximum frequency selection	A64	Ñ	120/400	120	Ñ	
36	Frequency command/output frequency adjust (O-L terminal)	A80	Ñ	0-255	Ñ	Ñ	<b>NOTE 2</b>
37	Frequency command/output frequency adjust (O-L terminal)	A81	Ñ	0-255	Ñ	Ñ	<b>NOTE 2</b>
38	Selection of reset terminal performance	A86	Ñ	0, 1	0	Ñ	
39	P gain setting of PID function	A90	Ñ	0.1-0.5	1.0	Ñ	
40	I gain setting of PID function	A91	Ñ	0.0-15.0	1.0	Ñ	
41	D gain setting of PID function	A92	Ñ	0.0-100	0.0	Ñ	
42	Selection of PID function	A94	Ñ	0-4	0	Ñ	
43	Setting method of PID reference value	A95	Ñ	0, 1	0	Ñ	
44	Setting of PID reference value	A96	Ñ	0.00-200	0.00	Ñ	
45	Auto tuning setting	A97	Ñ	0-2	0	Ñ	
46	Motor data selection	A98	Ñ	0-2	0	√	
47	Ro-To option selection	A99	Ñ	0-1	0	Ñ	
48	Input terminal setting 1	C 0	Ñ	0-3, 5-9, 11-16, 18-28	18	Ñ	
49	Input terminal setting 2	C 1	Ñ	0-3, 5-9, 11-16, 18-28	16	Ñ	
50	Input terminal setting 3	C 2	Ñ	0-3, 5-9, 11-16, 18-28	5	Ñ	
51	Input terminal setting 4	C 3	Ñ	0-3, 5-9, 11-16, 18-28	11	Ñ	
52	Input terminal setting 5	C 4	Ñ	0-3, 5-9, 11-16, 18-28	9	Ñ	
53	Input terminal setting 6	C 5	Ñ	0-3, 5-9, 11-16, 18-28	13	Ñ	
54	Input terminal setting 7	C 6	Ñ	0-3, 5-9, 11-16, 18-28	1	Ñ	
55	Input terminal setting 8	C 7	Ñ	0-3, 5-9, 11-16, 18-28	0	Ñ	
56	Output terminal setting 11	C10	Ñ	0-2	0	Ñ	
57	Output terminal setting 12	C11	Ñ	0-2	1	Ñ	
58	Input terminal a and b contact setting	C20	Ñ	00-FF	00	Ñ	
59	Output terminal a and b contact setting	C21	Ñ	00-07	04	Ñ	

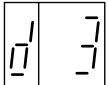
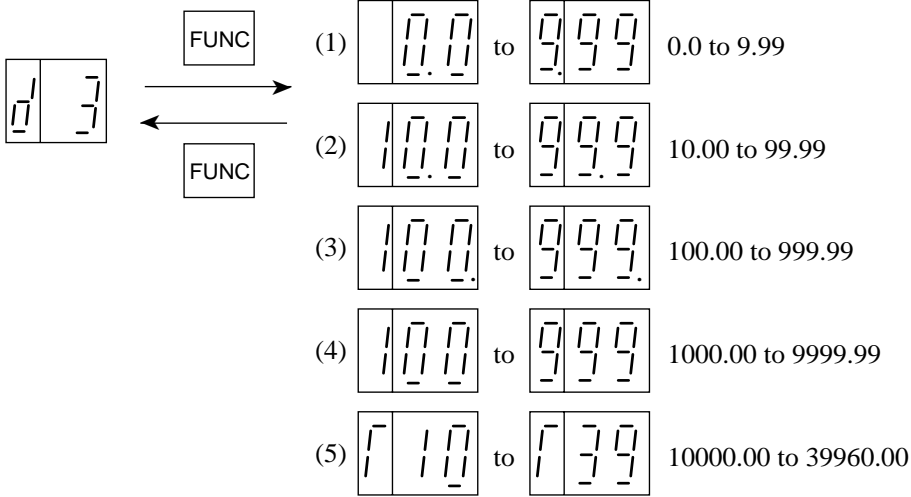
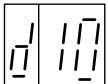
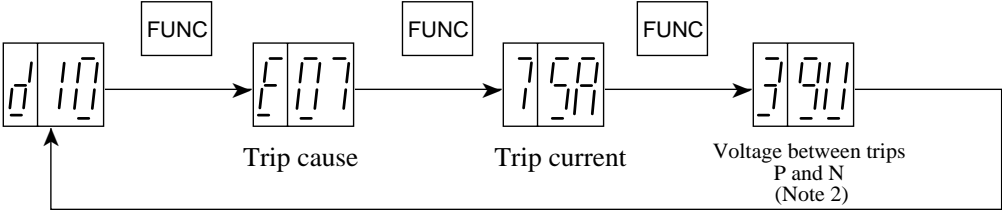

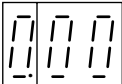
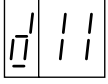
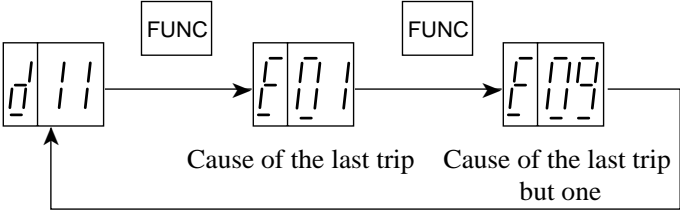

**NOTE 1:** The most applicable motor capacity of the inverter is set.

**NOTE 2:** The initial setting of each inverter is adjusted when shipping from the works.

## 7.7 Explanation of Modes

### (1) Monitor mode contents

Monitor mode contents	Contents and display
 <p><b>Output frequency monitor</b></p>	<p>The frequency outputted by the inverter is monitored. The display is as shown below.</p> <p style="text-align: right;"> Display when stopped</p> <p>(1)  to  A frequency between 0.01 Hz and 9.99 Hz is displayed in units of 0.01 Hz.</p> <p style="text-align: center;">  →   ←         </p> <p>(2)  to  A frequency between 10.0 Hz and 99.9 Hz is displayed in units of 0.1 Hz.</p> <p>(3)  to  A frequency between 100 Hz and 400 Hz is displayed in units of 1 Hz.</p>
 <p><b>Motor rotation speed monitor</b></p>	<p>The rotational frequency converted value of the frequency outputted by the inverter is displayed. (Note that the value is not the real rotational frequency of the motor.) The converted value is displayed as shown below using "rotational frequency/100."</p> <p style="text-align: right;"> Display when stopped</p> <p>(1)  to  The converted value is displayed in units of 0.01 (1 rpm). From 1 to 999 rpm</p> <p style="text-align: center;">  →   ←         </p> <p>(2)  to  The converted value is displayed in units of 0.1 (10 rpm). From 1000 to 9990 rpm</p> <p>(3)  to  The converted value is displayed in units of 1 (100 rpm). From 10000 to 60000 rpm</p> <p><b>NOTE:</b> Motor pole number can be set by .</p>
 <p><b>Output current monitor</b></p>	<p>The current outputted by the inverter is monitored. The display is as shown below.</p> <p style="text-align: right;"> Display when stopped</p> <p style="border: 1px solid black; padding: 5px; margin: 10px 0;">         The output display accuracy is about ±10%.          Inverter output current: <math>I_M</math>          Monitor display current: <math>I_{MC}</math>          Rated current of the inverter: <math>I_R</math>  <math display="block">\frac{I_{MC} - I_M}{I_R} \times 100 \leq \pm 10\%</math> </p> <p>(1)  to  A current between 0.1 and 99.9 A is displayed in units of 0.1 A.</p> <p style="text-align: center;">  →   ←         </p> <p>(2)  to  A current between 100 A and 999 A is displayed in units of 1 A.</p>

Monitor mode contents	Contents and display
 <p><b>Frequency converted value monitor</b></p>	<p>The product of the value of frequency converted value setting (A47) and that of output frequency (d0) is displayed on the monitor.</p> 
 <p><b>Trip monitor</b></p>	<p>When a trip occurs, the cause of the trip is displayed in this code. As a general display, the contents of the latest trip are displayed. Whenever the <b>FUNC</b> key is pressed, the content of each is displayed.</p>  <p><b>NOTE 1:</b> When there is no trip,  is displayed.</p> <p><b>NOTE 2:</b> The above example of the voltage between P(+) and N(-) indicates 390 to 399 V.</p> <p><b>NOTE 3:</b> When the <b>STOP/RESET</b> key is pressed after a trip occurs,  is displayed.</p>
 <p><b>Trip history monitor</b></p>	<p>The causes of the last trip and the last trip but one are displayed. When the command is displayed and the <b>FUNC</b> key is pressed, the trip cause is displayed.</p>  <p><b>NOTE 1:</b> When there is not a trip history,  is displayed.</p> <p><b>NOTE 2:</b> How to delete trip history data, see page 7-14.</p>

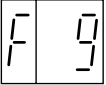


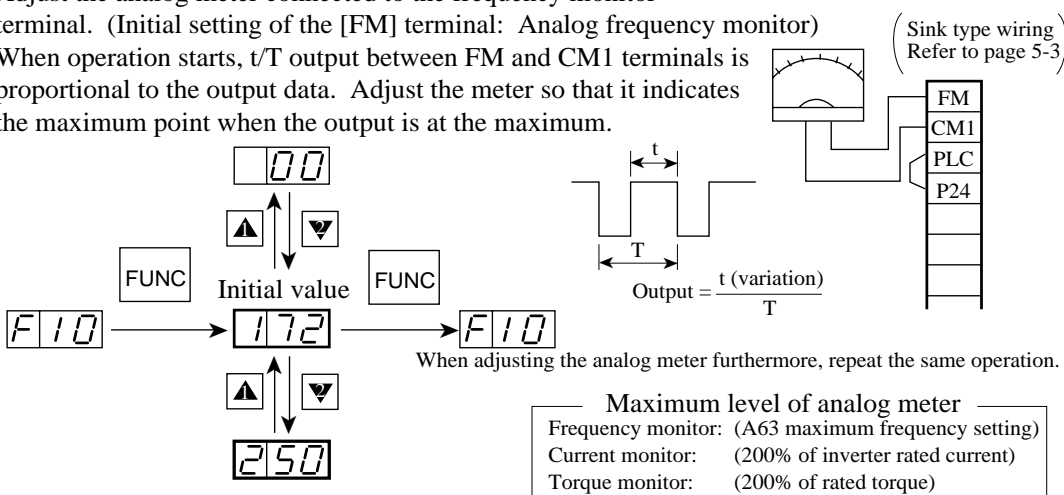
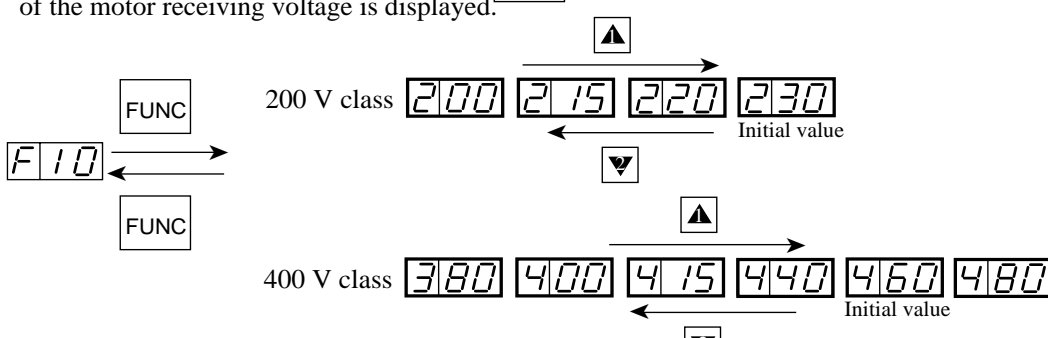
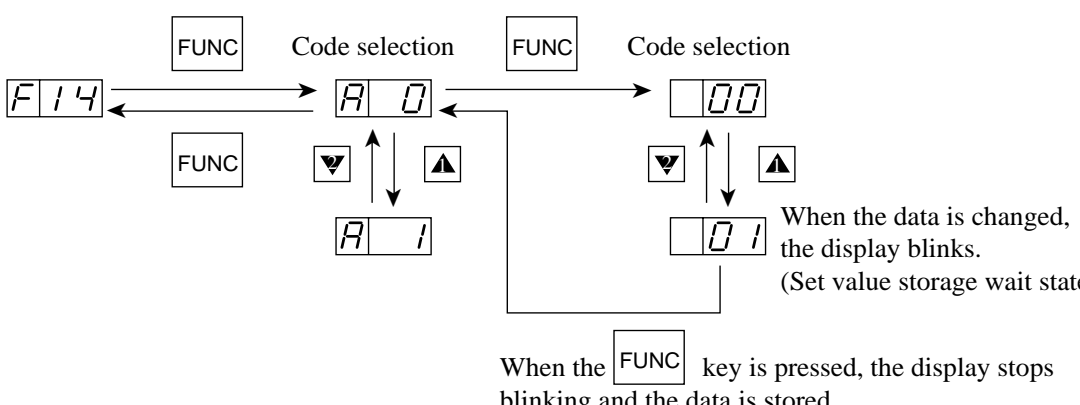
(2) Function mode

Monitor mode contents	Contents and display																															
<p><b>Output frequency setting</b></p>	<p>Methods for setting the output frequency are as follows:</p> <ol style="list-style-type: none"> <li>1. Digital operator ----- Refer to this setting.</li> <li>2. Control circuit terminal ----- Refer to this setting. (multistage speed command)</li> <li>3. External analog input ----- Refer to page 6-2. (0 to 10 V, 0 to 5 V, 4 to 20 mA)</li> <li>4. Remote operator ----- Refer to the explanation of each remote operator. (new type, general purpose)</li> <li>5. Optional PCB ----- Refer to each optional PCB operation.</li> </ol> <p>(1) Setting from the digital operator</p> <p>A frequency between 0.01 Hz and 9.99 Hz is set in units of 0.01 Hz.</p> <p>A frequency between 10.0 Hz and 99.9 Hz is set in units of 0.1 Hz.</p> <p>A frequency between 100 Hz and 400 Hz is set in units of 1 Hz.</p> <p>When the ▲ or ▼ key is pressed continuously, the value is changed continuously.</p> <p>(2) Setting from the control circuit terminal (multispeed setting)</p> <p>The output frequency at the multispeed can be set as specified below. When the running mode is the process stepping mode, switch it to the multistage speed mode by the remote operator.</p> <p>① Connect the multispeed terminal for setting the frequency to CM1. (The relationship between multispeeds 1 to 7 and the control circuit terminals is as shown below.)</p> <table border="1" data-bbox="587 1227 965 1473"> <thead> <tr> <th rowspan="2">Multispeed</th> <th colspan="3">Control circuit terminal</th> </tr> <tr> <th>1</th> <th>2</th> <th>3 (*1)</th> </tr> </thead> <tbody> <tr> <td>Multispeed 1</td> <td>ON</td> <td>OFF</td> <td rowspan="2">OFF</td> </tr> <tr> <td>Multispeed 2</td> <td>OFF</td> <td>ON</td> </tr> <tr> <td>Multispeed 3</td> <td>ON</td> <td>ON</td> <td rowspan="3">ON</td> </tr> <tr> <td>Multispeed 4</td> <td>ON</td> <td>OFF</td> </tr> <tr> <td>Multispeed 5</td> <td>OFF</td> <td>ON</td> </tr> <tr> <td>Multispeed 6</td> <td>ON</td> <td>ON</td> <td rowspan="2">OFF</td> </tr> <tr> <td>Multispeed 7</td> <td>OFF</td> <td>OFF</td> </tr> </tbody> </table> <p>*1: By initialization, the multispeed can be set up to the third stage. When CF3 is set by terminal allocation (in this case, intelligent input terminal 5 is allocated), up to the 7th stage can be set (set by the extension function mode C4). Intelligent input terminal allocation: C0 to C7 Set value: 3 (CF3)</p> <p>Example of terminal connection for sink type Refer to page 5-5.</p> <p>② Set an optional output frequency using the ▲ or ▼ key.</p> <p>③ Press the <b>FUNC</b> key once to store the set output frequency.</p> <p><b>NOTE 2:</b> <b>F 0.0</b> is displayed.</p> <p>④ Press the ▲ key once. (Check whether the output frequency, which is set, is displayed.)</p> <p>⑤ By repeating (1) to (4), the output frequency in the multispeed mode can be set.</p> <p><b>NOTE 3:</b> Whenever any data is changed, be sure to press the <b>FUNC</b> key before starting the next setting. Note that when the <b>FUNC</b> key is not pressed, the data will not be set.</p> <p><b>NOTE 4:</b> When setting to over 120 Hz, the changing over maximum frequency is necessary. Remote operator or copy unit must be used. (When the value is switched to 400 by F-30, an output frequency of up to 400 Hz can be set.)</p>	Multispeed	Control circuit terminal			1	2	3 (*1)	Multispeed 1	ON	OFF	OFF	Multispeed 2	OFF	ON	Multispeed 3	ON	ON	ON	Multispeed 4	ON	OFF	Multispeed 5	OFF	ON	Multispeed 6	ON	ON	OFF	Multispeed 7	OFF	OFF
Multispeed	Control circuit terminal																															
	1	2	3 (*1)																													
Multispeed 1	ON	OFF	OFF																													
Multispeed 2	OFF	ON																														
Multispeed 3	ON	ON	ON																													
Multispeed 4	ON	OFF																														
Multispeed 5	OFF	ON																														
Multispeed 6	ON	ON	OFF																													
Multispeed 7	OFF	OFF																														

Monitor mode contents	Contents and display
<div data-bbox="188 322 293 409" style="border: 1px solid black; padding: 2px; display: inline-block;"> </div>  <div data-bbox="177 524 284 584" style="border: none;"> <b>Running direction</b> </div>	<p data-bbox="357 322 616 349">Set the motor direction.</p> <p data-bbox="357 376 1066 407">Set the motor direction when running by pressing the <span style="border: 1px solid black; padding: 2px;">RUN</span> key.</p> <p data-bbox="357 416 852 448"><b>NOTE:</b> The setting during run is impossible.</p> <div data-bbox="357 474 1321 725" style="margin-top: 20px;"> <p style="margin-left: 40px;">Initial set value</p> <p style="margin-left: 100px;">Forward run</p> <p style="margin-left: 100px;">Reverse run</p> <p style="margin-left: 150px;">Switching can be done by pressing the <span style="border: 1px solid black; padding: 2px;">▲</span> <span style="border: 1px solid black; padding: 2px;">▼</span> key.</p> </div>

Monitor mode contents	Contents and display								
<div style="display: flex; flex-direction: column; align-items: center;"> <div style="margin-bottom: 10px;"><span style="border: 1px solid black; padding: 2px;">F</span> <span style="border: 1px solid black; padding: 2px;">6</span></div> <div style="margin-bottom: 10px;"><span style="border: 1px solid black; padding: 2px;">F</span> <span style="border: 1px solid black; padding: 2px;">7</span></div> <div style="text-align: center;"> <p><b>Acceleration time 1 and 2</b></p> <p><b>Deceleration time 1 and 2</b></p> </div> </div>	<p>These commands set and display Acc. time (<span style="border: 1px solid black; padding: 2px;">F</span> <span style="border: 1px solid black; padding: 2px;">6</span>) and Dec. time (<span style="border: 1px solid black; padding: 2px;">F</span> <span style="border: 1px solid black; padding: 2px;">7</span>).</p> <div style="display: flex; justify-content: center; align-items: center; margin: 10px 0;"> <div style="text-align: center;"> <div style="margin-bottom: 5px;"><span style="border: 1px solid black; padding: 2px;">999</span></div> <div style="margin-bottom: 5px;">▲ ↑ ▲</div> <div style="margin-bottom: 5px;">Initial value</div> <div style="margin-bottom: 5px;">▼ ↓ ▼</div> <div style="margin-bottom: 5px;"><span style="border: 1px solid black; padding: 2px;">30.0</span></div> <div style="margin-bottom: 5px;"><span style="border: 1px solid black; padding: 2px;">0.01</span></div> </div> <div style="margin: 0 10px;"> <div style="margin-bottom: 10px;">FUNC →</div> <div style="margin-bottom: 10px;">← FUNC</div> </div> <div style="text-align: center;"> <div style="margin-bottom: 5px;"><span style="border: 1px solid black; padding: 2px;">F</span> <span style="border: 1px solid black; padding: 2px;">6</span></div> </div> </div> <table border="1" style="margin-left: auto; margin-right: auto; border-collapse: collapse; text-align: center;"> <thead> <tr> <th>Setting range</th> <th>Period</th> </tr> </thead> <tbody> <tr> <td>0.01 to 9.99s</td> <td>Every 0.01s</td> </tr> <tr> <td>10.0 to 99.9s</td> <td>Every 0.1s</td> </tr> <tr> <td>100 to 999s</td> <td>Every 1s</td> </tr> </tbody> </table> <ul style="list-style-type: none"> <li>Acceleration time 2 and deceleration time 2 are set when CH1 is connected with P24.</li> <li>When a time of more than 1,000 seconds is set by the remote operator, <span style="border: 1px solid black; padding: 2px;">--</span> is displayed on the digital operator.</li> </ul>	Setting range	Period	0.01 to 9.99s	Every 0.01s	10.0 to 99.9s	Every 0.1s	100 to 999s	Every 1s
Setting range	Period								
0.01 to 9.99s	Every 0.01s								
10.0 to 99.9s	Every 0.1s								
100 to 999s	Every 1s								
<div style="display: flex; flex-direction: column; align-items: center;"> <div style="margin-bottom: 10px;"><span style="border: 1px solid black; padding: 2px;">F</span> <span style="border: 1px solid black; padding: 2px;">8</span></div> <div style="text-align: center;"> <p><b>Manual torque boost setting</b></p> </div> </div>	<p>Set torque boost</p> <ul style="list-style-type: none"> <li>Motor torque can be adjusted to increase the output voltage when the starting torque is not sufficient in V/F control. Pay attention not to cause the motor to burnout and an inverter trip. Set boost value in 70 to 90 when using VP1, VP2 or VP3 in V/F control mode.</li> <li>Setting is effective only when V/F control is selected.</li> </ul> <div style="display: flex; justify-content: space-around; align-items: flex-start; margin-top: 20px;"> <div style="text-align: center;"> <p>Setting method</p> <div style="margin-bottom: 5px;"><span style="border: 1px solid black; padding: 2px;">99</span></div> <div style="margin-bottom: 5px;">▼ ↑ ▲</div> <div style="margin-bottom: 5px;">Initial value</div> <div style="margin-bottom: 5px;">▼ ↑ ▲</div> <div style="margin-bottom: 5px;"><span style="border: 1px solid black; padding: 2px;">11</span></div> <div style="margin-bottom: 5px;"><span style="border: 1px solid black; padding: 2px;">00</span></div> </div> <div style="margin: 0 10px;"> <div style="margin-bottom: 10px;">FUNC →</div> <div style="margin-bottom: 10px;">← FUNC</div> </div> <div style="text-align: center;"> <div style="margin-bottom: 5px;"><span style="border: 1px solid black; padding: 2px;">F</span> <span style="border: 1px solid black; padding: 2px;">8</span></div> </div> </div> <div style="margin-top: 20px;"> <p style="text-align: center;">Output voltage 100%</p> <p style="text-align: center;">About 11.8</p> <p style="text-align: center;">Output frequency</p> <p style="text-align: center;">0 5 10 25 50 Hz 6 12 30 60</p> <p style="text-align: center;">(V-Boost F 20.0% is set with the remote operator.)</p> </div> <p style="margin-top: 20px;">With the remote operator (DOP, DRW, HOP, or HRW), point <b>(A)</b> in the torque boost graph can be changed within the range of 0% to 50% with respect to the base frequency.</p>								

Monitor mode contents	Contents and display																																																			
<div style="display: flex; flex-direction: column; align-items: center;"> <div style="margin-bottom: 10px;"></div> <div style="margin-bottom: 10px;"><b>Run commanding method</b></div> <div><b>Frequency commanding method</b></div> </div>	<p data-bbox="336 322 1094 351">Switching the run command and frequency command setting modes</p> <p data-bbox="336 371 1406 427">Set the run command and frequency command sending destinations. The standard specification selection range is from 00 to 03.</p> <table border="1" data-bbox="558 439 1406 1429"> <thead> <tr> <th data-bbox="558 439 727 495">Set value</th> <th data-bbox="727 439 1067 495">Run command to</th> <th data-bbox="1067 439 1406 495">Frequency command to</th> </tr> </thead> <tbody> <tr><td></td><td>Digital operator</td><td>Digital operator</td></tr> <tr><td></td><td>Digital operator</td><td>Terminal block</td></tr> <tr><td></td><td>Terminal block</td><td>Digital operator</td></tr> <tr style="border: 2px solid black;"><td></td><td>Terminal block</td><td>Terminal block</td></tr> <tr><td></td><td>Digital operator</td><td>Option 1</td></tr> <tr><td></td><td>Option 1</td><td>Digital operator</td></tr> <tr><td></td><td>Option 1</td><td>Option 1</td></tr> <tr><td></td><td>Digital operator</td><td>Option 2</td></tr> <tr><td></td><td>Option 2</td><td>Digital operator</td></tr> <tr><td></td><td>Option 2</td><td>Option 2</td></tr> <tr><td></td><td>Terminal block</td><td>Option 1</td></tr> <tr><td></td><td>Option 1</td><td>Terminal block</td></tr> <tr><td></td><td>Terminal block</td><td>Option 2</td></tr> <tr><td></td><td>Option 2</td><td>Terminal block</td></tr> <tr><td></td><td>Option 1</td><td>Option 2</td></tr> <tr><td></td><td>Option 2</td><td>Option 1</td></tr> </tbody> </table> <p data-bbox="336 667 544 696">Initial value →</p> <p data-bbox="552 1507 722 1536">Setting method</p> <div data-bbox="612 1507 1169 1711" style="text-align: center;"> </div> <p data-bbox="355 1760 1390 1816"><b>NOTE1:</b> The run command and frequency command sending destinations can be set to any of the terminal, operator, option 1, and option 2. Select the relevant set value.</p> <p data-bbox="355 1839 1453 1957"><b>NOTE2:</b> When option 1 or option 2 is selected for "Run command to" and "Frequency command to," the digital operator and terminal block cannot issue commands. Set option 1 or option 2 (set values  - ) only for operation or frequency commands from the optional PC board.</p>	Set value	Run command to	Frequency command to		Digital operator	Digital operator		Digital operator	Terminal block		Terminal block	Digital operator		Terminal block	Terminal block		Digital operator	Option 1		Option 1	Digital operator		Option 1	Option 1		Digital operator	Option 2		Option 2	Digital operator		Option 2	Option 2		Terminal block	Option 1		Option 1	Terminal block		Terminal block	Option 2		Option 2	Terminal block		Option 1	Option 2		Option 2	Option 1
Set value	Run command to	Frequency command to																																																		
	Digital operator	Digital operator																																																		
	Digital operator	Terminal block																																																		
	Terminal block	Digital operator																																																		
	Terminal block	Terminal block																																																		
	Digital operator	Option 1																																																		
	Option 1	Digital operator																																																		
	Option 1	Option 1																																																		
	Digital operator	Option 2																																																		
	Option 2	Digital operator																																																		
	Option 2	Option 2																																																		
	Terminal block	Option 1																																																		
	Option 1	Terminal block																																																		
	Terminal block	Option 2																																																		
	Option 2	Terminal block																																																		
	Option 1	Option 2																																																		
	Option 2	Option 1																																																		

Monitor mode contents	Contents and display
<div data-bbox="188 320 292 405" style="border: 1px solid black; padding: 2px; display: inline-block;">F 10</div>  <b>Analog meter adjustment</b>	<p>Adjust the analog meter connected to the frequency monitor terminal. (Initial setting of the [FM] terminal: Analog frequency monitor)</p> <p>When operation starts, t/T output between FM and CM1 terminals is proportional to the output data. Adjust the meter so that it indicates the maximum point when the output is at the maximum. <span style="float: right;">(Sink type wiring Refer to page 5-3)</span></p>  <p style="text-align: center;">When adjusting the analog meter furthermore, repeat the same operation.</p> <div style="border: 1px solid black; padding: 5px; width: fit-content; margin: 0 auto;"> <p style="text-align: center;">Maximum level of analog meter</p> <p>Frequency monitor: (A63 maximum frequency setting)</p> <p>Current monitor: (200% of inverter rated current)</p> <p>Torque monitor: (200% of rated torque)</p> </div> <p><b>NOTE 1:</b> This function is valid only when the analog monitor is used. (Frequency monitor, current monitor, torque monitor)</p> <p><b>NOTE 2:</b> The adjusted value when the input terminal STN (initialization) is used is the initial value.</p>
<div data-bbox="188 996 292 1081" style="border: 1px solid black; padding: 2px; display: inline-block;">F 11</div>  <b>Motor receiving voltage setting</b>	<p>Set the motor receiving voltage. When the [FUNC] key is pressed once, the current set value of the motor receiving voltage is displayed.</p> 
<div data-bbox="188 1411 292 1496" style="border: 1px solid black; padding: 2px; display: inline-block;">F 14</div>  <b>Extension function setting</b>	<p>Select the item of each extension function. After setting, the display is returned to the code display.</p> <p>⊙After data is changed, be sure to press the [FUNC] key to store it.</p>  <p style="text-align: right;">When the data is changed, the display blinks. (Set value storage wait state)</p> <p style="text-align: center;">When the [FUNC] key is pressed, the display stops blinking and the data is stored.</p>

## Returning to the initialization (State set at factory before shipment)

When returning the equipment to the initial state set at factory before shipment for some reason, follow the following procedure.

- 1) Allocate STN (set value  ) to one of the input intelligent terminals. (Use  to  in the extension function mode to set the intelligent terminals.)  
(However,  cannot be used since resetting RS is initially set.)
- 2) Short-circuit the STN terminal and P24 (CM1\*), then turn power off and on. (When the power is turned off, do not turn it on again until the CHARGE lamp of the logic PCB goes off.)
- 3) Keep the STN terminal open for more than 6 seconds. (When keying, resetting, or turning power off is performed within 6 seconds, the equipment may not be initialized.)
- 4) Turn the power off after more than 6 seconds. (When the power is turned off within 6 seconds, the equipment may not be initialized.)

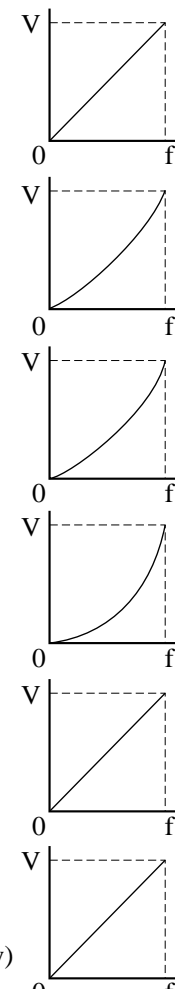
## How to Delete Trip History Data (, and )

To delete trip history data for some reason, follow the instructions shown below using the remote operator (DOP or HOP) or copy unit (DRW or HRW).

1. Using the remote operator (DOP-OA) or copy unit (DRW-OA)
  - (1) Display  (trip history count clear) or the function mode initial setting .
  - (2) Move the cursor to beneath the initial set values. Select CLR and store it.
    - 1) Turn the power off once and then turn it on. or close the reset terminal RS-P24 (CM1\*) for approx. a second. By this, trip history data is deleted.
    - 2) When trip history is deleted, data of [F-38] is set to [CNT]. Trip counting restarts.
2. Using high-performance remote operator (HOP-OJ) or high-performance copy unit (HRW-OJ)
  - (1) Display [TCNT 0: CNT] (trip history count clear) or the function mode initial setting [2-1 INIT].
  - (2) Enter a count clearing value [0: CLR] from the 10-key pad.
    - 1) Turn the power off once and then turn it on. or close the reset terminal RS-P24 (CM1\*) for approx. a second. By this, trip history data is deleted.
    - 2) When trip history is deleted, data of [2-1 INIT] is set to [CNT]. Trip counting restarts.

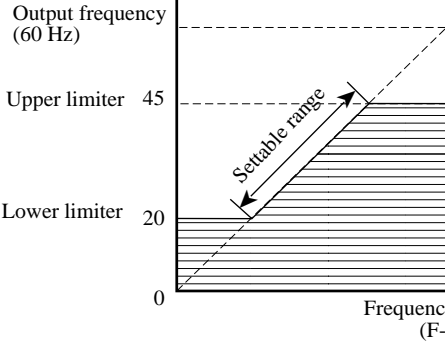
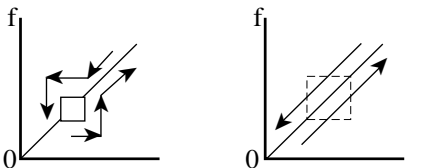
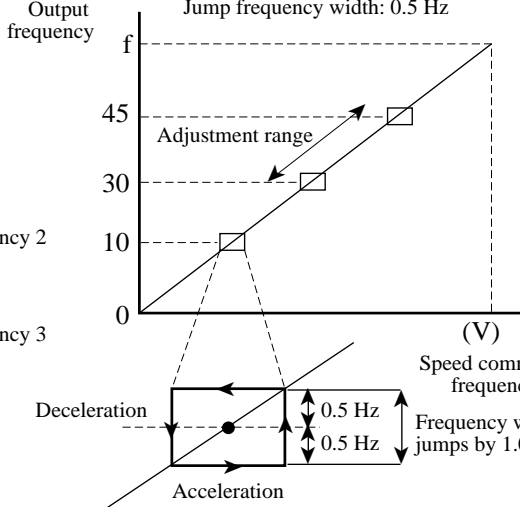
**NOTE:** Symbols \* are indicated for Sink type wiring.

### (3) Extension function mode contents

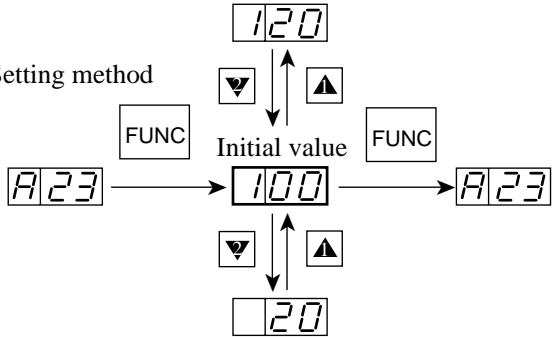
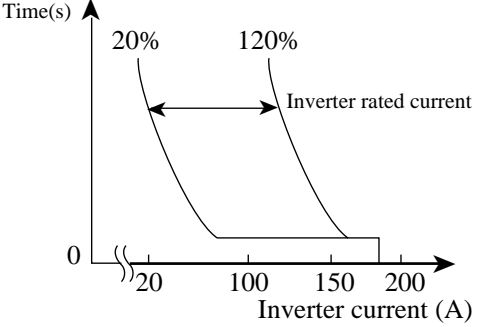
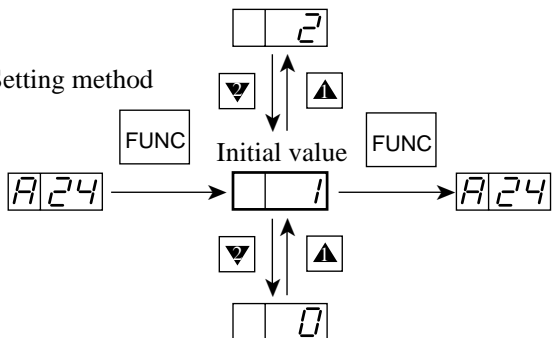
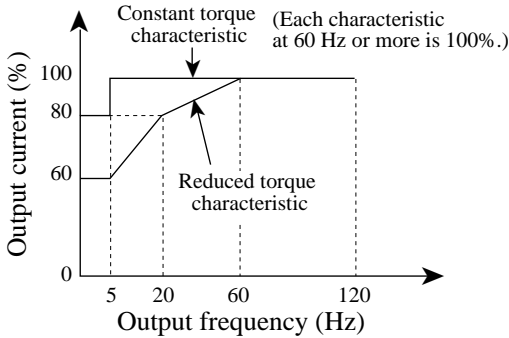
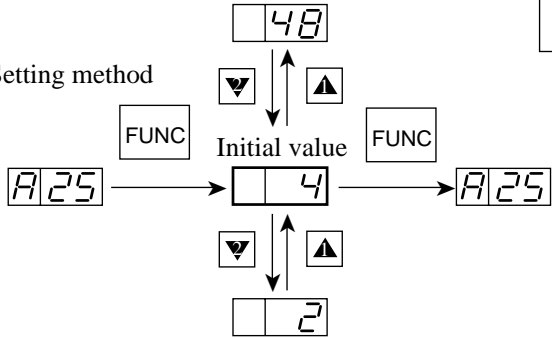
Extension function code	Contents and display				
<div style="display: flex; align-items: center;"> <div style="border: 1px solid black; padding: 5px; margin-right: 10px;"> <table border="1" style="font-family: monospace; font-size: 1.2em;"> <tr><td style="width: 20px; height: 20px;">A</td><td style="width: 20px; height: 20px;">0</td></tr> </table> </div> <div style="text-align: center;"> <p><b>Control method setting</b></p> </div> </div>	A	0	<p>Set the control method. Select one of the following control codes.</p> <div style="display: flex; justify-content: space-between;"> <div style="width: 60%;"> <p>Initial value</p> <p><b>A 0</b> ← FUNC → <span style="border: 1px solid black; padding: 2px 5px;">  0  </span> ----- V/f control (VC) Constant torque characteristics</p> <p style="text-align: center;">▼ ↑ ▲</p> <p><span style="border: 1px solid black; padding: 2px 5px;">  1  </span> ----- V/f control (VP1) Reduced torque characteristics, 1.5 power <b>NOTE</b> : set torque boost in 70 to 90.</p> <p style="text-align: center;">▼ ↑ ▲</p> <p><span style="border: 1px solid black; padding: 2px 5px;">  2  </span> ----- V/f control (VP2) Reduced torque characteristics, 1.7 power <b>NOTE</b> : set torque boost in 70 to 90</p> <p style="text-align: center;">▼ ↑ ▲</p> <p><span style="border: 1px solid black; padding: 2px 5px;">  3  </span> ----- V/f control (VP3) Reduced torque characteristics, 2.0 power <b>NOTE</b> : set torque boost in 70 to 90</p> <p style="text-align: center;">▼ ↑ ▲</p> <p><span style="border: 1px solid black; padding: 2px 5px;">  4  </span> ----- Sensorless vector control (SLV)</p> <p style="text-align: center;">▼ ↑ ▲</p> <p><span style="border: 1px solid black; padding: 2px 5px;">  5  </span> ----- Vector control with sensor (V2) <b>NOTE</b> : Vector control INV only (Feedback board is necessary)</p> </div> <div style="width: 35%;">  </div> </div>		
A	0				
<div style="display: flex; align-items: center;"> <div style="border: 1px solid black; padding: 5px; margin-right: 10px;"> <table border="1" style="font-family: monospace; font-size: 1.2em;"> <tr><td style="width: 20px; height: 20px;">A</td><td style="width: 20px; height: 20px;">1</td></tr> </table> </div> <div style="border: 1px solid black; padding: 5px; margin-right: 10px;"> <table border="1" style="font-family: monospace; font-size: 1.2em;"> <tr><td style="width: 20px; height: 20px;">A</td><td style="width: 20px; height: 20px;">2</td></tr> </table> </div> <div style="text-align: center;"> <p><b>Motor capacity, motor poles setting</b></p> </div> </div>	A	1	A	2	<p>Set the motor capacity and number of motor poles according to the motor to be used. The maximum rating of the applicable 4-pole motor for each inverter is set initially.</p> <div style="display: flex; justify-content: space-around;"> <div style="width: 45%;"> <p style="text-align: center;">Motor capacity</p> <p style="text-align: center;">1.10</p> <p style="text-align: center;">▼ ↑ ▲</p> <p><b>A 1</b> ← FUNC → <span style="border: 1px solid black; padding: 2px 5px;">  7.50  </span></p> <p style="text-align: center;">▼ ↑ ▲</p> <p style="text-align: center;">5.50</p> <p style="text-align: center;">▼ ↑ ▲</p> <p style="text-align: center;">3.70</p> </div> <div style="width: 45%;"> <p style="text-align: center;">No. of motor poles</p> <p style="text-align: center;">8</p> <p style="text-align: center;">▼ ↑ ▲</p> <p><b>A 2</b> ← FUNC → <span style="border: 1px solid black; padding: 2px 5px;">  6  </span></p> <p style="text-align: center;">▼ ↑ ▲</p> <p style="text-align: center;">4</p> <p style="text-align: center;">▼ ↑ ▲</p> <p style="text-align: center;">2</p> </div> </div> <p style="text-align: right;"><b>NOTE :</b> When the data does not match that of the motor, satisfactory characteristics may not be obtained during the sensorless vector running. The full performances may not be demonstrated if the rating of a motor used is tow or less than the maximum applicable rating when the sensor-less vector function is used. The sensor-less vector operation is disabled when two or more motors are running. Set this data properly according to the motor used if its rating is not the same as the maximum applicable rating in V/f operation.</p>
A	1				
A	2				

Extension function code	Contents and display
<div data-bbox="185 320 292 409" style="border: 1px solid black; padding: 2px; display: inline-block;">A 3</div>  <b>Speed control response constant setting</b>	<p data-bbox="338 315 1433 439">Set the response speed (ASR system gain) between the inverter and motor. When increasing or decreasing the current motor response speed, adjust the ASR system gain. When the set value is decreased, the response speed is increased. When the set value is increased, the response speed is decreased.</p> <div data-bbox="352 432 1353 837" style="text-align: center;"> <p data-bbox="1011 465 1353 524">A constant between 0.01 and 9.99 is set in units of 0.01.</p> <p data-bbox="1011 607 1353 665">A constant between 10.0 and 99.9 is set in units of 0.1.</p> <p data-bbox="1011 748 1353 806">A constant between 100 and 655 is set in units of 1.</p> </div>
<div data-bbox="185 889 292 978" style="border: 1px solid black; padding: 2px; display: inline-block;">A 4</div>  <b>Start frequency adjustment</b>	<p data-bbox="338 884 1050 943">Set the frequency for starting output of the inverter. Set a frequency between 0.1 Hz and 9.99 Hz in units of 0.01 Hz.</p> <div data-bbox="352 965 903 1330" style="text-align: center;"> </div> <div data-bbox="948 965 1394 1368" style="text-align: right;"> <p data-bbox="991 1375 1422 1464">When the start frequency is increased, the acceleration or deceleration time is decreased.</p> </div>

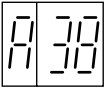
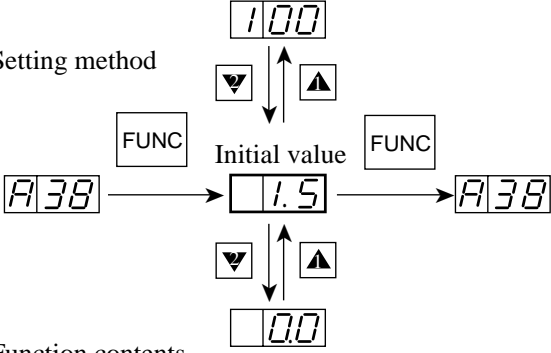
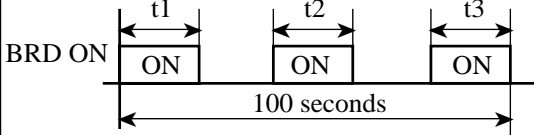

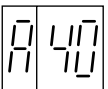
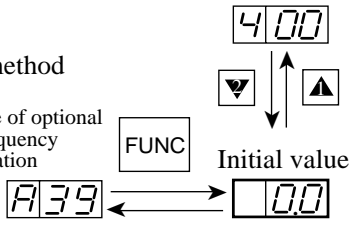
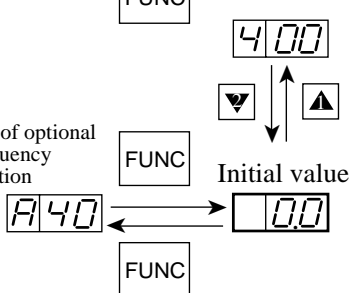
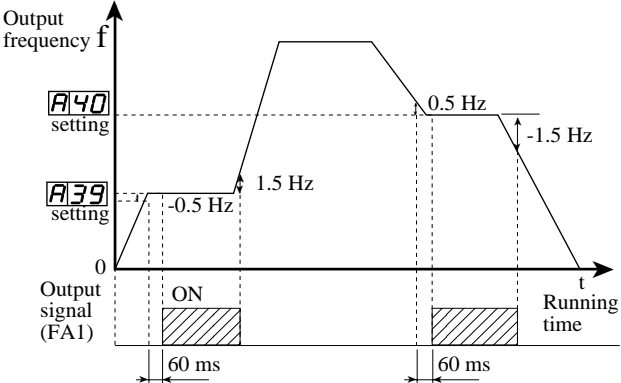


Extension function code	Contents and display
<p data-bbox="185 320 292 405">A 5</p> <p data-bbox="185 427 292 512">A 6</p> <p data-bbox="173 546 303 674"><b>Frequency upper, lower limiter</b></p>	<p data-bbox="341 300 1441 432">Set the limits of frequency setting within the <b>A 4</b> start frequency adjustment range and <b>A 63</b> maximum frequency setting range. When a value beyond the limits is inputted from the operator, it will not be stored. Even if a value beyond the limits is inputted as external analog input, the set value will not be changed.</p> <div data-bbox="341 472 821 719"> <p>Maximum frequency limiter</p> <p>120 (400)</p> <p>▼ ▲</p> <p>FUNC</p> <p>A 5 ← 0.0 Initial value</p> <p>FUNC</p> </div> <div data-bbox="341 792 821 1039"> <p>Minimum frequency limiter</p> <p>120 (400)</p> <p>▼ ▲</p> <p>FUNC</p> <p>A 6 ← 0.0 Initial value</p> <p>FUNC</p> </div> <div data-bbox="845 506 1404 1039"> <p>Setting example (When an upper limit of 45 Hz and a lower limit of 20 Hz are set)</p>  <p>Output frequency (60 Hz)</p> <p>Upper limiter 45</p> <p>Lower limiter 20</p> <p>0</p> <p>Frequency command (F-SET)</p> <p><b>NOTE:</b> Setting conditions 0 Hz or upper limit ≥ lower limit When 0 Hz is set, the limiters will not operate.</p> </div>
<p data-bbox="185 1081 292 1167">A 7</p> <p data-bbox="185 1189 292 1274">A 8</p> <p data-bbox="185 1296 292 1382">A 9</p> <p data-bbox="173 1415 303 1507"><b>Jump frequency setting 1</b></p> <p data-bbox="173 1529 303 1621"><b>Jump frequency setting 2</b></p> <p data-bbox="173 1644 303 1736"><b>Jump frequency setting 3</b></p>	<p data-bbox="341 1066 1409 1128">To avoid a resonance with the load, the frequencies at up to 3 points can be jumped. The setting order and the execution order may be changed.</p> <p data-bbox="341 1144 1426 1207">The frequency equivalent to the jump frequency setting width (<math>\pm 0.5</math> Hz) (Note 1) cannot be set as a jump frequency.</p> <p data-bbox="341 1223 1086 1249"><b>NOTE 1 :</b> The jump frequency can be set by the remote operator.</p> <p data-bbox="341 1261 1393 1323"><b>NOTE 2 :</b> As to the frequencies which are set by the jump frequency setting function, the set frequencies are jumped but the output frequencies pass.</p> <div data-bbox="392 1368 829 1574">  <p>Set frequency (V)</p> <p>Output frequency (V)</p> </div> <div data-bbox="341 1626 914 1895"> <p>In the case of jump frequency 1</p> <p>400</p> <p>▼ ▲</p> <p>FUNC</p> <p>Initial value</p> <p>A 7 ← 0.0</p> <p>FUNC</p> <p>In the case of jump frequency 2</p> <p>A 8</p> <p>In the case of jump frequency 3</p> <p>A 9</p> </div> <div data-bbox="866 1346 1441 1944"> <p>Setting example</p> <p>Jump frequency 1: 10 Hz</p> <p>Jump frequency 2: 30 Hz</p> <p>Jump frequency 3: 45 Hz</p> <p>Jump frequency width: 0.5 Hz</p>  <p>Output frequency</p> <p>f</p> <p>45</p> <p>30</p> <p>10</p> <p>0</p> <p>Adjustment range</p> <p>Speed command frequency (V)</p> <p>Deceleration</p> <p>Acceleration</p> <p>0.5 Hz</p> <p>0.5 Hz</p> <p>Frequency which jumps by 1.0 Hz</p> </div>

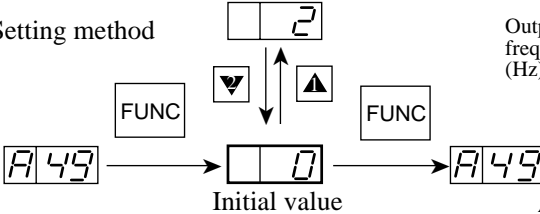
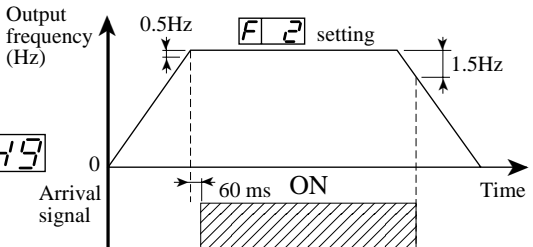
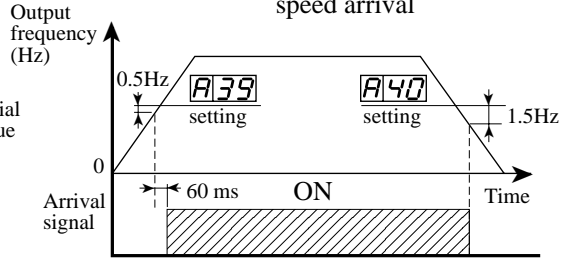
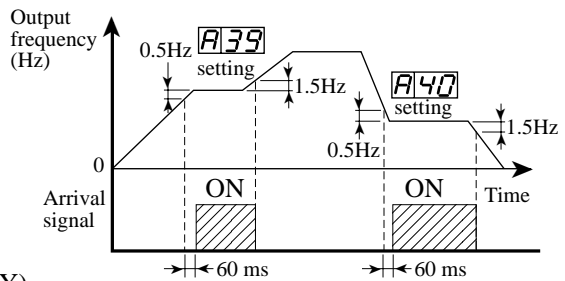
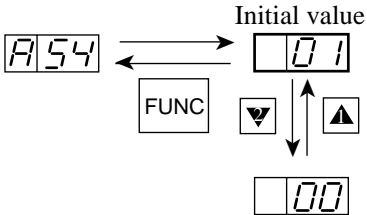
Extension function code	Contents and display																							
<div style="border: 1px solid black; padding: 5px; display: inline-block;">A10</div> <b>Carrier frequency setting</b>	<p>Set the switching frequency of the power module.</p> <div style="text-align: center;"> </div> <p><b>Carrier frequency initial value</b></p> <table border="1" style="margin-left: auto; margin-right: auto;"> <thead> <tr> <th rowspan="2">model type</th> <th colspan="2">initial value</th> </tr> <tr> <th>CT</th> <th>VT</th> </tr> </thead> <tbody> <tr> <td>055 to 150 L/HF</td> <td>16 kHz</td> <td>8 kHz</td> </tr> <tr> <td>220 L/HF</td> <td>12 kHz</td> <td>6 kHz</td> </tr> <tr> <td>300 to 370 L/HF</td> <td>10 kHz</td> <td>5 kHz</td> </tr> <tr> <td>450 to 550 L/HF</td> <td>6 kHz</td> <td>3 kHz</td> </tr> <tr> <td>750 to 1100HF</td> <td>3 kHz</td> <td>2 kHz</td> </tr> <tr> <td>1320 to 2200HF</td> <td>2 kHz</td> <td>2 kHz</td> </tr> </tbody> </table> <p><b>NOTE 1:</b> The initial value of carrier frequency varies with the inverter capacity. When VP1 to VP3 is selected, carrier frequency is automatically changed to VT.</p>	model type	initial value		CT	VT	055 to 150 L/HF	16 kHz	8 kHz	220 L/HF	12 kHz	6 kHz	300 to 370 L/HF	10 kHz	5 kHz	450 to 550 L/HF	6 kHz	3 kHz	750 to 1100HF	3 kHz	2 kHz	1320 to 2200HF	2 kHz	2 kHz
model type	initial value																							
	CT	VT																						
055 to 150 L/HF	16 kHz	8 kHz																						
220 L/HF	12 kHz	6 kHz																						
300 to 370 L/HF	10 kHz	5 kHz																						
450 to 550 L/HF	6 kHz	3 kHz																						
750 to 1100HF	3 kHz	2 kHz																						
1320 to 2200HF	2 kHz	2 kHz																						
<div style="border: 1px solid black; padding: 5px; display: inline-block;">A11</div> <b>Frequency command sampling frequency setting</b>	<p>Set the frequency commands (voltage frequency command (O-L terminal signal), current frequency command (OI-L terminal signal), and the number of samplings.</p> <div style="text-align: center;"> </div> <div style="border: 1px solid black; padding: 5px; margin-top: 10px;"> <p><b>NOTE: How to set</b></p> <p><span style="border: 1px solid black; padding: 2px;">1</span>: The number of samplings is set to 1. The reaction time becomes shorter, but the output frequency becomes likely to vary.</p> <p><span style="border: 1px solid black; padding: 2px;">8</span>: The number of samplings is set to 8. The reaction time becomes longer, but the output frequency becomes stable.</p> </div>																							
<div style="border: 1px solid black; padding: 5px; display: inline-block;">A12</div> <div style="border: 1px solid black; padding: 5px; display: inline-block; margin-top: 5px;">A13</div> <div style="border: 1px solid black; padding: 5px; display: inline-block; margin-top: 5px;">A14</div> <b>Multispeed setting 1</b>  <b>Multispeed setting 2</b>  <b>Multispeed setting 3</b>	<p>Set the output frequency of each multispeed speed. When setting four or more speeds, refer to the item of <span style="border: 1px solid black; padding: 2px;">F 2</span> output frequency setting.</p> <div style="text-align: center; margin-bottom: 10px;"> </div> <p>In the case of multispeed setting 1</p> <p>In the case of multispeed setting 2</p> <div style="border: 1px solid black; padding: 5px; display: inline-block; margin-left: 20px;">A13</div> <p>In the case of multispeed setting 3</p> <div style="border: 1px solid black; padding: 5px; display: inline-block; margin-left: 20px;">A14</div> <div style="margin-top: 20px;"> <p>Example of the connection method Refer to Page 5-5</p> </div> <div style="margin-top: 20px;"> <p>Example of Multispeed setting</p> <table border="1" style="margin-left: auto; margin-right: auto;"> <thead> <tr> <th rowspan="2">Multispeed</th> <th colspan="2">Control circuit terminal</th> </tr> <tr> <th>(7) CF1</th> <th>(6) CF2</th> </tr> </thead> <tbody> <tr> <td>Multispeed 1</td> <td>ON</td> <td>OFF</td> </tr> <tr> <td>Multispeed 2</td> <td>OFF</td> <td>ON</td> </tr> <tr> <td>Multispeed 3</td> <td>ON</td> <td>ON</td> </tr> </tbody> </table> <p><b>NOTE:</b> When using four or more multispeed commands, use the multispeed terminal (CF3) as an input terminal.</p> </div>	Multispeed	Control circuit terminal		(7) CF1	(6) CF2	Multispeed 1	ON	OFF	Multispeed 2	OFF	ON	Multispeed 3	ON	ON									
Multispeed	Control circuit terminal																							
	(7) CF1	(6) CF2																						
Multispeed 1	ON	OFF																						
Multispeed 2	OFF	ON																						
Multispeed 3	ON	ON																						

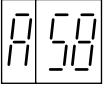
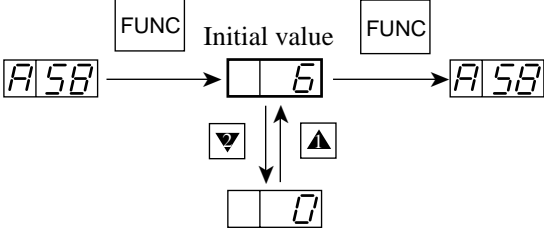
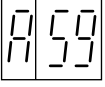
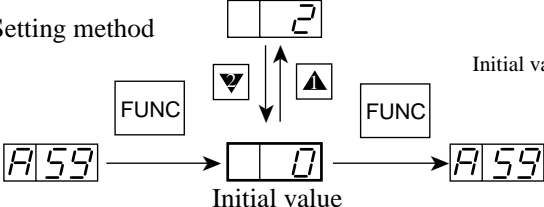

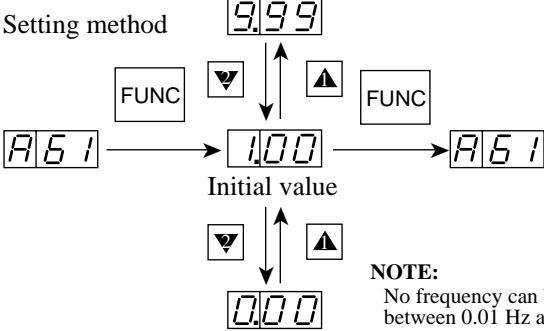
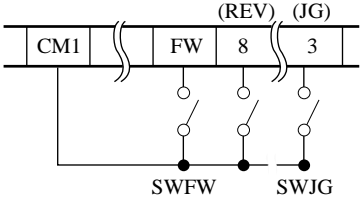
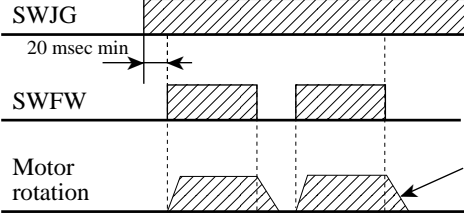
Extension function code	Contents and display								
<div data-bbox="183 320 290 407" style="border: 1px solid black; padding: 2px; display: inline-block;">A23</div>  <b>Electronic thermal level adjustment</b>	<p>Set the electronic thermal level. Set the thermal level in accordance with the rated current of the motor in units of 1 (%).</p> <div style="border: 1px solid black; padding: 5px; width: fit-content; margin: 10px auto;"> <math display="block">\text{Adjustment level} = \frac{\text{Motor rated current}}{\text{Inverter rated current}} \times 100</math> </div> <div style="display: flex; justify-content: space-around; align-items: center;"> <div style="text-align: center;"> <p>Setting method</p>  </div> <div style="text-align: center;">  </div> </div>								
<div data-bbox="183 891 290 978" style="border: 1px solid black; padding: 2px; display: inline-block;">A24</div>  <b>Electronic thermal characteristic selection</b>	<p>Select the electronic thermal characteristics. Set the thermal characteristics in accordance with the load to be used. For free setting of set value 2, the current and frequency can be set by each remote operator.</p> <table border="1" style="margin: 10px auto; border-collapse: collapse;"> <thead> <tr> <th style="padding: 5px;">Set value</th> <th style="padding: 5px;">Function</th> </tr> </thead> <tbody> <tr> <td style="text-align: center; padding: 5px;">0</td> <td style="padding: 5px;">Constant torque characteristic</td> </tr> <tr> <td style="text-align: center; padding: 5px;">1</td> <td style="padding: 5px;">Reduced torque characteristic</td> </tr> <tr> <td style="text-align: center; padding: 5px;">2</td> <td style="padding: 5px;">Free setting (Can be set by the remote operator)</td> </tr> </tbody> </table> <div style="display: flex; justify-content: space-around; align-items: center;"> <div style="text-align: center;"> <p>Setting method</p>  </div> <div style="text-align: center;">  </div> </div>	Set value	Function	0	Constant torque characteristic	1	Reduced torque characteristic	2	Free setting (Can be set by the remote operator)
Set value	Function								
0	Constant torque characteristic								
1	Reduced torque characteristic								
2	Free setting (Can be set by the remote operator)								
<div data-bbox="183 1545 290 1632" style="border: 1px solid black; padding: 2px; display: inline-block;">A25</div>  <b>Motor poles setting for motor speed monitor</b>	<p>Set the pole number of motor to convert output frequency into motor rotation speed on monitor mode function <math>d</math> 1.</p> <div style="border: 1px solid black; padding: 5px; width: fit-content; margin: 10px auto;"> <p>Settable numbers</p> <p>2, 4, 6, 8, 10, 12, 14, 16, 18, 20, 24, 32, 36, 48</p> </div> <div style="text-align: center;"> <p>Setting method</p>  </div>								

Extension function code	Contents and display										
<p data-bbox="180 327 300 416">A26</p> <p data-bbox="180 439 300 528">A27</p> <p data-bbox="180 544 300 667"><b>External frequency setting start</b></p> <p data-bbox="180 701 300 801"><b>External Frequency setting end</b></p>	<p data-bbox="339 315 1433 376">Set the frequency for starting output for an external frequency command (0 to 10 V, 0 to 5 V, 4 to 20 mA) and the frequency for ending output. When 0 Hz is set, this function will be canceled.</p> <p data-bbox="339 387 703 432">External frequency setting start</p> <p data-bbox="339 450 703 629">Setting method</p> <p data-bbox="339 663 703 723">External frequency setting end</p> <p data-bbox="339 734 703 801">A27 Same as A26</p> <div data-bbox="743 387 1062 607"> </div> <div data-bbox="679 685 1078 898"> </div> <p data-bbox="1031 376 1437 443"><b>NOTE 1:</b> The standard setting is 0 Hz. In this case, the selected V/f pattern is used for running.</p> <p data-bbox="1031 443 1437 533"><b>NOTE 2:</b> When changing the V/f pattern after [A26] (start) and [A27] (end) are set, readjust [A26] (start) and [A27] (end).</p> <p data-bbox="1031 533 1437 745"><b>NOTE 3:</b> When [A26] (start) &gt; [A27] (end) is set and the frequency command value is minimized (0 V or 4 mA), the output frequency may be lowered than the value which is set by [A26] by 0.1 to 0.3 Hz. The reason is that it is judged that there is some frequency due to noise on the signal line and it is a normal operation.</p> <p data-bbox="1031 745 1437 813"><b>NOTE 4:</b> The setting shown left is also possible with F31 of the remote operator.</p>										
<p data-bbox="180 947 300 1037">A34</p> <p data-bbox="180 1081 300 1216"><b>Instantaneous restart selection</b></p> <p data-bbox="180 1238 300 1305"><b>(Restart selection)</b></p>	<p data-bbox="339 936 959 996">Set the inverter retry method when a power error occurs. Select the set value of the retry method to be used.</p> <p data-bbox="339 1014 954 1238">Setting method</p> <p data-bbox="339 1283 1310 1373"><b>NOTE 1:</b> When the base frequency is one of the following ones, frequency matching may restart at 0 Hz. When the base frequency is 60 Hz: Driven at 40 Hz or less When the base frequency is 50 Hz: Driven at 30 Hz or less For other precautions, refer to Chapter 1, "Instantaneous stop restart" of Appendix 2.</p> <p data-bbox="339 1395 1445 1503"><b>NOTE 2:</b> Since the retry mode is selected, the equipment restarts for trips of overcurrent, overvoltage, or undervoltage. For undervoltage, 16 retries (17th trip) are executed. For overcurrent or overvoltage, 3 retries (fourth trip) are executed. Do not use this function for a case that a fallen substance should be held by the machine brake when the motor is in the free-run mode.</p> <table border="1" data-bbox="959 976 1445 1261"> <thead> <tr> <th>Set value</th> <th>Function</th> </tr> </thead> <tbody> <tr> <td>0</td> <td>Alarm output after tripped</td> </tr> <tr> <td>1</td> <td>Deceleration stop at the time of restart</td> </tr> <tr> <td>2</td> <td>Frequency matching start at the time of restart ( Note 1)</td> </tr> <tr> <td>3</td> <td>0 Hz start at the time of restart</td> </tr> </tbody> </table>	Set value	Function	0	Alarm output after tripped	1	Deceleration stop at the time of restart	2	Frequency matching start at the time of restart ( Note 1)	3	0 Hz start at the time of restart
Set value	Function										
0	Alarm output after tripped										
1	Deceleration stop at the time of restart										
2	Frequency matching start at the time of restart ( Note 1)										
3	0 Hz start at the time of restart										

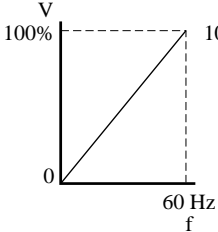
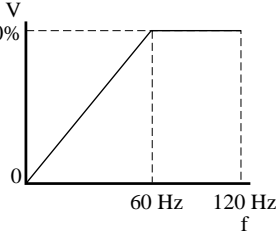
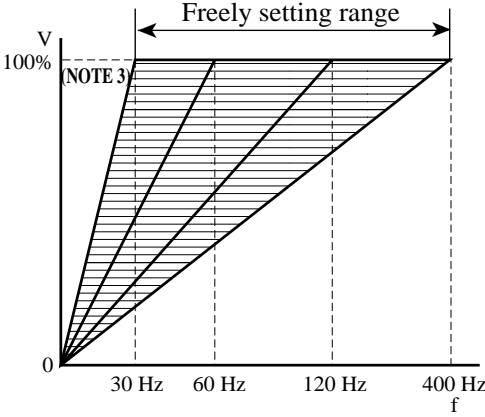
Extension function code	Contents and display									
<div style="display: flex; flex-direction: column; align-items: center;"> <div style="margin-bottom: 20px;">  </div> <div style="margin-bottom: 20px;"> <p><b>Dynamic braking usage ratio</b></p> </div> </div>	<p>Set the usage ratio (%) for 100 seconds of BRD. When the BRD operation exceeds this setting, the operation will be stopped.</p> <div style="display: flex; justify-content: space-between;"> <div style="width: 45%;"> <p><b>Setting method</b></p>  <p><b>Function contents</b></p>  <math display="block">T = \frac{(t1 + t2 + t3)}{100 \text{ seconds}} \times 100</math> </div> <div style="width: 45%;"> <p><b>NOTE 1:</b> The internal BRD circuit is not mounted in an inverter other than the types 055L/HF, and 075L/HF.</p> <p><b>NOTE 2:</b> When 0% is set, the BRD will not be operated.</p> <p><b>NOTE 3:</b> When T exceeds the set value, the BRD will be stopped.</p> <p><b>NOTE 4:</b> When mounting an external BRD unit, set the usage ratio to <input type="text" value="00"/> and remove the external resistors.</p> <p><b>NOTE 5:</b> The initial settings of 110-550L/HF are 0.0%.</p> <p><b>NOTE 6:</b> Conditions when using the external resistor are shown in the table.</p> <p style="text-align: center;"><b>Inverter requiring an external resistor</b></p> <table border="1" style="width: 100%; border-collapse: collapse;"> <thead> <tr> <th>Model</th> <th>055, 075LF</th> <th>055, 075HF</th> </tr> </thead> <tbody> <tr> <td>External resistor</td> <td>RB1 to RB3 (17 ohm or more)</td> <td>RB2, two each in series (70 ohm or more)</td> </tr> <tr> <td>Usage ratio</td> <td>Max. 10 (%)</td> <td>Max. 10 (%)</td> </tr> </tbody> </table> <p><b>NOTE 7:</b> This function cannot be used for the inverter types 110 to 550L/HF which have no built-in BRD (dynamic braking) circuit.</p> </div> </div>	Model	055, 075LF	055, 075HF	External resistor	RB1 to RB3 (17 ohm or more)	RB2, two each in series (70 ohm or more)	Usage ratio	Max. 10 (%)	Max. 10 (%)
Model	055, 075LF	055, 075HF								
External resistor	RB1 to RB3 (17 ohm or more)	RB2, two each in series (70 ohm or more)								
Usage ratio	Max. 10 (%)	Max. 10 (%)								
<div style="display: flex; flex-direction: column; align-items: center;"> <div style="margin-bottom: 20px;">  </div> <div style="margin-bottom: 20px;">  </div> <div style="margin-bottom: 20px;"> <p><b>Arrival optional frequency at acceleration</b></p> </div> <div style="margin-bottom: 20px;"> <p><b>Arrival optional frequency at deceleration</b></p> </div> </div>	<p>When <input type="text" value="A49"/> frequency arrival signal output method 2 is selected, an output signal is outputted at an optional frequency. When frequency arrival signal output method 1 is selected, an output signal is outputted at an optional frequency or more. For acceleration <input type="text" value="A39"/> and deceleration <input type="text" value="A40"/>, the frequency is set in units of 0.1 Hz (in units of 1 Hz for 100 Hz or more).</p> <div style="display: flex; justify-content: space-between;"> <div style="width: 45%;"> <p><b>Setting method</b></p> <p>In the case of optional arrival frequency of acceleration</p>  <p>In the case of optional arrival frequency of deceleration</p>  </div> <div style="width: 45%;"> <p>At the time of acceleration, an output signal is turned ON in a range from the set frequency -0.5 Hz to the set frequency +1.5 Hz. At the time of deceleration, an output signal is turned ON in a range from the set frequency +0.5 Hz to the set frequency -1.5 Hz.</p>  </div> </div>									

Extension function code	Contents and display																		
<div style="display: flex; align-items: center;"> <div style="border: 1px solid black; padding: 2px; margin-right: 10px;">A44</div> <div style="writing-mode: vertical-rl; transform: rotate(180deg); font-weight: bold; font-size: 1.2em;">Monitor signal selection</div> </div>	<p>Select the output monitors signal at the control circuit terminal FM from the table indicated below.</p> <div style="display: flex; justify-content: space-around; align-items: center;"> <div style="text-align: center;"> <p>Setting method</p> </div> <div style="text-align: center;"> <p>Initial value</p> </div> </div> <table border="1" style="margin-top: 10px; width: 100%;"> <thead> <tr> <th>Set value</th> <th>Function</th> </tr> </thead> <tbody> <tr> <td>0</td> <td>Analog output frequency monitor</td> </tr> <tr> <td>1</td> <td>Analog current monitor</td> </tr> <tr> <td>2</td> <td>Analog torque monitor (Note)</td> </tr> <tr> <td>3</td> <td>Digital output frequency monitor</td> </tr> </tbody> </table> <table border="1" style="margin-top: 10px; width: 100%;"> <thead> <tr> <th>Output monitor signal</th> <th>Output full-scale value</th> </tr> </thead> <tbody> <tr> <td>Analog Frequency monitor</td> <td>A53 Maximum frequency</td> </tr> <tr> <td>Current monitor</td> <td>200% of the rated current</td> </tr> <tr> <td>Torque monitor</td> <td>200% of the rated torque</td> </tr> </tbody> </table> <p><b>NOTE:</b> Use the analog torque monitor function only in the sensorless state. Under the V/f control, an appropriate value is outputted. The accuracy is <math>\pm 20\%</math> (a rough value).</p>	Set value	Function	0	Analog output frequency monitor	1	Analog current monitor	2	Analog torque monitor (Note)	3	Digital output frequency monitor	Output monitor signal	Output full-scale value	Analog Frequency monitor	A53 Maximum frequency	Current monitor	200% of the rated current	Torque monitor	200% of the rated torque
Set value	Function																		
0	Analog output frequency monitor																		
1	Analog current monitor																		
2	Analog torque monitor (Note)																		
3	Digital output frequency monitor																		
Output monitor signal	Output full-scale value																		
Analog Frequency monitor	A53 Maximum frequency																		
Current monitor	200% of the rated current																		
Torque monitor	200% of the rated torque																		
<div style="display: flex; align-items: center;"> <div style="border: 1px solid black; padding: 2px; margin-right: 10px;">A47</div> <div style="writing-mode: vertical-rl; transform: rotate(180deg); font-weight: bold; font-size: 1.2em;">Frequency converted value setting</div> </div>	<p>Set a converted value for frequency converted value monitoring. The product of this setting and the output frequency (d0) is displayed as the value for the frequency converted value monitor (d3).</p> <div style="display: flex; justify-content: space-around; align-items: center;"> <div style="text-align: center;"> <p>Setting method</p> </div> <div style="text-align: center;"> <p>Initial value</p> </div> </div> <div style="text-align: center; margin-top: 10px;"> </div>																		
<div style="display: flex; align-items: center;"> <div style="border: 1px solid black; padding: 2px; margin-right: 10px;">A48</div> <div style="writing-mode: vertical-rl; transform: rotate(180deg); font-weight: bold; font-size: 1.2em;">Analog input selection</div> </div>	<p>Set the maximum voltage to be supplied between the terminals O and L.</p> <div style="display: flex; justify-content: space-around; align-items: center;"> <div style="text-align: center;"> <p>Setting method</p> </div> <div style="text-align: center;"> <p>Initial value</p> </div> </div> <div style="margin-top: 10px;"> <p style="text-align: center;">Terminal connection example</p> <table border="1" style="margin-top: 10px; width: 100%;"> <thead> <tr> <th>Set value</th> <th>Function</th> </tr> </thead> <tbody> <tr> <td>0</td> <td>Max. 5 V input</td> </tr> <tr> <td>1</td> <td>Max. 10 V input</td> </tr> </tbody> </table> </div>	Set value	Function	0	Max. 5 V input	1	Max. 10 V input												
Set value	Function																		
0	Max. 5 V input																		
1	Max. 10 V input																		

Extension function code	Contents and display								
<div data-bbox="188 324 295 414" style="border: 1px solid black; padding: 2px; display: inline-block;">A49</div>  <b>Frequency arrival signal output method</b>	<p>When selecting the frequency arrival signal at the output terminal, select the arrival signal output method.</p> <p>Setting method</p>  <p>Initial value</p> <div data-bbox="331 745 817 920"> <table border="1"> <thead> <tr> <th>Set value</th> <th>Function</th> </tr> </thead> <tbody> <tr> <td>0</td> <td>At the time of constant speed arrival</td> </tr> <tr> <td>1</td> <td>Optionally set frequency or more</td> </tr> <tr> <td>2</td> <td>Only optionally set frequency</td> </tr> </tbody> </table> </div> <p>Set optional frequencies of set value 1 and set value 2 by <span style="border: 1px solid black; padding: 2px;">A39</span> and <span style="border: 1px solid black; padding: 2px;">A40</span>.</p> <p><b>NOTE 1:</b> The frequency arrival signal can be allocated only to one of the intelligent output terminals. It cannot be outputted to an individual output terminal for acceleration and deceleration.</p> <p><b>NOTE 2:</b> Selection of arrival signal output method for relay option board (J-RY) can be done by remote operator and F-48 function.</p>  <p>Output frequency (Hz)</p> <p>Arrival signal</p> <p>60 ms ON</p> <p>0.5Hz</p> <p>1.5Hz</p> <p>F 2 setting</p> <p>Time</p> <p><span style="border: 1px solid black; padding: 2px;">0</span>: At the time of constant speed arrival</p>  <p>Output frequency (Hz)</p> <p>Arrival signal</p> <p>60 ms ON</p> <p>0.5Hz</p> <p>1.5Hz</p> <p>A39 setting</p> <p>A40 setting</p> <p>Time</p> <p><span style="border: 1px solid black; padding: 2px;">1</span>: Optionally set frequency or more</p>  <p>Output frequency (Hz)</p> <p>Arrival signal</p> <p>60 ms ON</p> <p>60 ms ON</p> <p>0.5Hz</p> <p>1.5Hz</p> <p>A39 setting</p> <p>A40 setting</p> <p>Time</p> <p><span style="border: 1px solid black; padding: 2px;">2</span>: Only optionally set frequency</p>	Set value	Function	0	At the time of constant speed arrival	1	Optionally set frequency or more	2	Only optionally set frequency
Set value	Function								
0	At the time of constant speed arrival								
1	Optionally set frequency or more								
2	Only optionally set frequency								
<div data-bbox="188 1429 295 1518" style="border: 1px solid black; padding: 2px; display: inline-block;">A54</div>  <b>Restarting after FRS signal selection</b>	<p>Select an operation after a free run stop.</p> <p>Set <span style="border: 1px solid black; padding: 2px;">00</span> and <span style="border: 1px solid black; padding: 2px;">01</span> with the <span style="border: 1px solid black; padding: 2px;">▲</span> and <span style="border: 1px solid black; padding: 2px;">▼</span> keys.</p> <p>Setting method</p>  <p>Initial value</p> <div data-bbox="917 1630 1232 1742"> <table border="1"> <thead> <tr> <th>Set value</th> <th>Function</th> </tr> </thead> <tbody> <tr> <td>0</td> <td>f matching</td> </tr> <tr> <td>1</td> <td>0 start</td> </tr> </tbody> </table> </div> <p>Initial value</p>	Set value	Function	0	f matching	1	0 start		
Set value	Function								
0	f matching								
1	0 start								

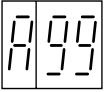
Extension function code	Contents and display								
<p><b>Reduced voltage soft start setting</b></p> 	<p>Adjust reduced voltage start.</p>  <p><b>NOTE: How to set</b></p> <p>00: There is no reduced voltage. The rush current at the start of the inverter is increased but the motor reaction time is decreased.</p> <p>06: The effect of the reduced voltage is large. The rush current is reduced but the motor reaction time is increased.</p>								
<p><b>Running mode selection</b></p> 	<p>Select the running mode. Set the running mode to be used.</p> <p>Setting method</p>  <table border="1" data-bbox="935 723 1422 931"> <thead> <tr> <th>Set value</th> <th>Function</th> </tr> </thead> <tbody> <tr> <td>0</td> <td>Normal running mode</td> </tr> <tr> <td>1</td> <td>Energy conservation running mode</td> </tr> <tr> <td>2</td> <td>Fuzzy most suitable acceleration and deceleration mode</td> </tr> </tbody> </table> <p><b>NOTE:</b> When the fuzzy most suitable acceleration and deceleration are selected and the load inertia (motor shaft conversion) is more than about 20 times of that of the individual motor, an overvoltage trip may occur. If this occurs, reset the mode to the normal running mode. For other precautions, refer to "Precautions for fuzzy most suitable acceleration and deceleration" of Appendix 1.</p>	Set value	Function	0	Normal running mode	1	Energy conservation running mode	2	Fuzzy most suitable acceleration and deceleration mode
Set value	Function								
0	Normal running mode								
1	Energy conservation running mode								
2	Fuzzy most suitable acceleration and deceleration mode								
<p><b>Jogging frequency setting</b></p> 	<p>Set the running command so as to be inputted to the terminal. (Set F9 to 02 or 03.)</p> <p>Since jogging is a direct input operation and may be easily tripped, set the jogging frequency to 5 Hz or less.</p> <p>Setting method</p>  <p><b>NOTE:</b> No frequency can be set between 0.01 Hz and 0.09 Hz.</p>  <p><b>Operation timing</b></p>  <p>The free run operation is performed immediately after SWFW is turned OFF.</p> <p>No jogging operation is performed when the set value is smaller than the start frequency A4.</p>								

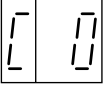
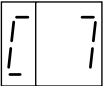
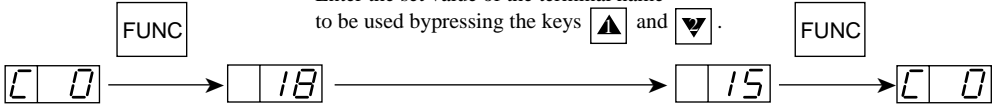


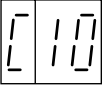
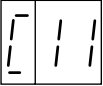
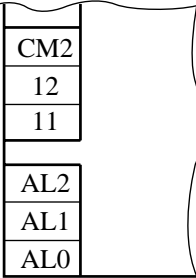
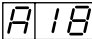
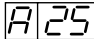



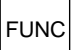


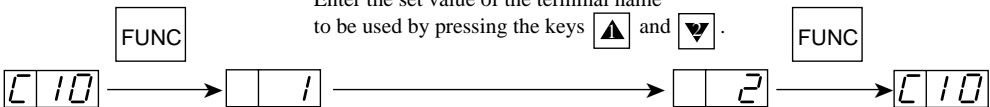
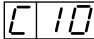
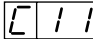
Extension function code	Contents and display
<div data-bbox="188 309 296 394" style="border: 1px solid black; padding: 2px;">A62</div> <div data-bbox="188 416 296 501" style="border: 1px solid black; padding: 2px;">A63</div> <p data-bbox="177 528 301 622"><b>Base frequency setting</b></p> <p data-bbox="177 658 304 752"><b>Maximum frequency setting</b></p>	<p data-bbox="344 297 1094 333">Set the <span style="border: 1px solid black; padding: 2px;">A62</span> base frequency and <span style="border: 1px solid black; padding: 2px;">A63</span> maximum frequency.</p> <div data-bbox="360 376 911 741"> <p>Setting method</p> <div style="display: flex; align-items: center; justify-content: center;"> <div style="border: 1px solid black; padding: 2px; margin-right: 5px;">30</div> <div style="margin: 0 5px;">↑</div> <div style="margin: 0 5px;">↓</div> </div> <div style="display: flex; align-items: center; justify-content: center; margin-top: 5px;"> <div style="border: 1px solid black; padding: 2px; margin-right: 5px;">A62</div> <div style="margin: 0 5px;">→</div> <div style="border: 1px solid black; padding: 2px; margin-right: 5px;">60</div> <div style="margin: 0 5px;">→</div> <div style="border: 1px solid black; padding: 2px; margin-right: 5px;">A62</div> </div> <p style="text-align: center; margin-top: 5px;">Initial value</p> <div style="display: flex; align-items: center; justify-content: center; margin-top: 5px;"> <div style="margin: 0 5px;">↓</div> <div style="margin: 0 5px;">↑</div> </div> <div style="display: flex; align-items: center; justify-content: center; margin-top: 5px;"> <div style="border: 1px solid black; padding: 2px; margin-right: 5px;">120</div> <div style="margin: 0 5px;">↓</div> </div> <p style="text-align: center; margin-top: 5px;">(400)</p> </div> <div data-bbox="938 349 1453 696"> <p>Setting example</p> <div style="display: flex; justify-content: space-around;"> <div style="text-align: center;">  <p>(A62) base frequency and (A63) maximum frequency: 60 Hz</p> </div> <div style="text-align: center;">  <p>(A62) base frequency: 60 Hz and (A63) maximum frequency: 120 Hz</p> </div> </div> </div> <p data-bbox="384 752 847 887">When the frequency is set so that the base frequency is larger than the maximum frequency, the base frequency is forced to be made equal to the maximum frequency at the start of running.</p> <div data-bbox="344 920 831 1335">  <p style="text-align: center;">NOTE 3: (indicated in the graph)</p> </div> <div data-bbox="855 813 1453 1032"> <p><b>NOTE 1:</b> When a frequency more than the base frequency 60 Hz is used, the motor is not a general purpose motor but a special motor. Therefore, the maximum applicable motor set value is different. When the kW display is the same, the inverter capacity may be increased.</p> <p><b>NOTE 2:</b> Set the base frequency according to the specifications of the motor. When the base frequency is set to less than 50 Hz, the motor may be burned.</p> </div>
<div data-bbox="188 1379 296 1464" style="border: 1px solid black; padding: 2px;">A64</div> <p data-bbox="177 1518 304 1612"><b>Maximum frequency selection</b></p>	<p data-bbox="344 1368 1445 1404">Select 120 Hz or 400 Hz as the upper limit that can be set in the maximum frequency setting (A63).</p> <div data-bbox="360 1424 735 1637"> <p><span style="border: 1px solid black; padding: 2px;">A64</span> ↔ <span style="border: 1px solid black; padding: 2px;">120</span></p> <p style="text-align: center;">Initial value</p> <div style="display: flex; align-items: center; justify-content: center; margin-top: 5px;"> <div style="margin: 0 5px;">↓</div> <div style="margin: 0 5px;">↑</div> </div> <p style="text-align: center; margin-top: 5px;"><span style="border: 1px solid black; padding: 2px;">400</span></p> </div>
<div data-bbox="188 1693 296 1778" style="border: 1px solid black; padding: 2px;">A80</div> <div data-bbox="188 1800 296 1886" style="border: 1px solid black; padding: 2px;">A81</div> <p data-bbox="177 1895 304 2074"><b>Frequency command output frequency adjust (O-L, OI-L)</b></p>	<p data-bbox="344 1693 1445 1729">Adjust the relationship between the external frequency command and the inverter output frequency.</p> <p data-bbox="384 1738 783 1774"><span style="border: 1px solid black; padding: 2px;">A80</span> : Voltage command (O-L)</p> <p data-bbox="384 1783 783 1818"><span style="border: 1px solid black; padding: 2px;">A81</span> : Current command (OI-L)</p> <p data-bbox="344 1827 1445 1939">This function is factory-set to the appropriate position. If this setting is changed unnecessarily, the correct relationship between the external frequency command and output frequency is no longer maintained. This will result in poor control performance. Adjust the setting of this function only when the output frequency does not conform to the external command.</p> <p data-bbox="344 1948 560 1984">Adjustment method</p> <p data-bbox="368 1984 1445 2029">Voltage command: Put voltage command (10V of 5V) to O-L terminal, and adjust <span style="border: 1px solid black; padding: 2px;">A80</span> unit output frequency comes to maximum.</p> <p data-bbox="368 2029 1445 2074">Current command: Put current command (4-20mA) to OI-L terminal, and adjust <span style="border: 1px solid black; padding: 2px;">A81</span> unit output frequency comes to maximum.</p>

Extension function code	Contents and display																		
<div style="display: flex; flex-direction: column; align-items: center;"> <div style="margin-bottom: 10px;"></div> <div style="margin-bottom: 10px;"><b>Selection of reset terminal performance</b></div> </div>	<p>Possible to select a performance of a release timing of alarm signal when giving reset signal from [RS] terminal</p> <div style="display: flex; justify-content: space-around; align-items: center;"> <div style="text-align: center;"> </div> <div style="border: 1px solid black; padding: 5px;"> <table border="1"> <thead> <tr> <th>Set value</th> <th>Performance</th> </tr> </thead> <tbody> <tr> <td style="text-align: center;">0</td> <td> </td> </tr> <tr> <td style="text-align: center;">1</td> <td> </td> </tr> </tbody> </table> </div> </div>	Set value	Performance	0		1													
Set value	Performance																		
0																			
1																			
<div style="display: flex; flex-direction: column; align-items: center;"> <div style="margin-bottom: 10px;"></div> <div style="margin-bottom: 10px;"></div> <div style="margin-bottom: 10px;"></div> <div style="margin-bottom: 10px;"><b>Proportional gain setting</b></div> <div style="margin-bottom: 10px;"><b>Integral gain setting</b></div> <div style="margin-bottom: 10px;"><b>Differential gain setting</b></div> </div>	<p>These functions are used to set PID control operation gains.</p> <p> P (Proportional) gain,  I (Integral) gain,  D (Differential) gain</p> <p>Set each gain.</p> <p>Setting method</p> <div style="text-align: center;"> </div> <table border="1" style="margin-left: auto; margin-right: auto;"> <thead> <tr> <th></th> <th>Gain adjusting range</th> </tr> </thead> <tbody> <tr> <td>P</td> <td>0.0 to 5.0</td> </tr> <tr> <td>I</td> <td>0.0 to 15.0 s</td> </tr> <tr> <td>D</td> <td>0 to 100.0</td> </tr> </tbody> </table>		Gain adjusting range	P	0.0 to 5.0	I	0.0 to 15.0 s	D	0 to 100.0										
	Gain adjusting range																		
P	0.0 to 5.0																		
I	0.0 to 15.0 s																		
D	0 to 100.0																		
<div style="display: flex; flex-direction: column; align-items: center;"> <div style="margin-bottom: 10px;"></div> <div style="margin-bottom: 10px;"><b>PID control selection</b></div> </div>	<p>This function is used to control the PID functions incorporated in the inverter. This function is also used to select a feed-back signal input and set a magnification of the integral gain setting value.</p> <p>For details of PID control, refer to "Appendix 8 PID Control Functions".</p> <p>Setting method</p> <div style="text-align: center;"> </div> <table border="1" style="margin-left: auto; margin-right: auto;"> <thead> <tr> <th>Setting value</th> <th>Feed-back signal input terminal</th> <th>I (Integral) gain magnification</th> </tr> </thead> <tbody> <tr> <td>0</td> <td colspan="2">Built-in PID function disabled.</td> </tr> <tr> <td>1</td> <td>Analog current (OI-L)</td> <td>× 1</td> </tr> <tr> <td>2</td> <td>Analog voltage (O-L)</td> <td>× 1</td> </tr> <tr> <td>3</td> <td>Analog current (OI-L)</td> <td>× 10</td> </tr> <tr> <td>4</td> <td>Analog voltage (O-L)</td> <td>× 10</td> </tr> </tbody> </table> <p><b>Note 1:</b> Set "0" for the use of a PID optional board.  <b>Note 2:</b> Do not assign a feed-back signal input and an target frequency command to the same terminal. If assigned, the PID function will be disabled.</p>	Setting value	Feed-back signal input terminal	I (Integral) gain magnification	0	Built-in PID function disabled.		1	Analog current (OI-L)	× 1	2	Analog voltage (O-L)	× 1	3	Analog current (OI-L)	× 10	4	Analog voltage (O-L)	× 10
Setting value	Feed-back signal input terminal	I (Integral) gain magnification																	
0	Built-in PID function disabled.																		
1	Analog current (OI-L)	× 1																	
2	Analog voltage (O-L)	× 1																	
3	Analog current (OI-L)	× 10																	
4	Analog voltage (O-L)	× 10																	

Extension function code	Contents and display								
<div data-bbox="188 320 300 409" style="border: 1px solid black; padding: 2px; display: inline-block;">A95</div>  <b>Target value setting method selection</b>	<p>This function is used to select a method to enter the target value for executing each PID function.</p> <div style="display: flex; justify-content: space-between;"> <div data-bbox="359 398 917 616" style="width: 45%;"> <p>Setting method</p> <p>Initial value</p> </div> <div data-bbox="933 365 1444 645" style="width: 45%;"> <table border="1"> <thead> <tr> <th>Set value</th> <th>Performance</th> </tr> </thead> <tbody> <tr> <td>0</td> <td>The target value depends on the <span style="border: 1px solid black; padding: 1px;">A96</span> level set value.</td> </tr> <tr> <td>1</td> <td>The target value is set using the <span style="border: 1px solid black; padding: 1px;">F9</span> frequency setting method.</td> </tr> </tbody> </table> </div> </div> <p><b>NOTE 1:</b> Set "1" when a PID optional board (J-PI) is used. The value entered to the OS terminal of J-PI is assumed as the target value.</p> <p><b>NOTE 2:</b> The target value at set "1" is O-L, OI-L input signal, <span style="border: 1px solid black; padding: 1px;">F2</span> setting or multispeed setting.</p>	Set value	Performance	0	The target value depends on the <span style="border: 1px solid black; padding: 1px;">A96</span> level set value.	1	The target value is set using the <span style="border: 1px solid black; padding: 1px;">F9</span> frequency setting method.		
Set value	Performance								
0	The target value depends on the <span style="border: 1px solid black; padding: 1px;">A96</span> level set value.								
1	The target value is set using the <span style="border: 1px solid black; padding: 1px;">F9</span> frequency setting method.								
<div data-bbox="188 828 300 918" style="border: 1px solid black; padding: 2px; display: inline-block;">A96</div>  <b>Internal target value level setting</b>	<p>This function is used to set a target value level of PID controlling within 0 to 200%. This function is valid when 0 is set for <span style="border: 1px solid black; padding: 1px;">A95</span>.</p> <div style="display: flex; justify-content: space-between;"> <div data-bbox="359 929 917 1153" style="width: 45%;"> <p>Setting method</p> <p>Initial value</p> </div> <div data-bbox="933 929 1444 1176" style="width: 45%;"> <p>If an analog voltage is entered as a feedback value, the feedback voltage (0 to 10V) corresponds to this target value level setting (0 to 200%). In other words, if, when 5V is entered as the target feedback value of a sensor, it is converted to an internal target value, set 100% as this internal target value.</p> </div> </div>								
<div data-bbox="188 1216 300 1305" style="border: 1px solid black; padding: 2px; display: inline-block;">A97</div>  <b>Auto tuning setting</b>	<p>Select whether to start auto tuning as well as a mode. When 1 or 2 is set, auto tuning is started during the first operation.</p> <div style="display: flex; justify-content: space-between;"> <div data-bbox="359 1288 790 1512" style="width: 45%;"> <p>Initial value</p> </div> <div data-bbox="790 1265 1444 1512" style="width: 45%;"> <table border="1"> <thead> <tr> <th>Set value</th> <th>Function</th> </tr> </thead> <tbody> <tr> <td>0</td> <td>Auto tuning is not performed.</td> </tr> <tr> <td>1</td> <td>Normal measurement mode (The motor runs.)</td> </tr> <tr> <td>2</td> <td>R1, R2, or L measurement mode (The motor does not run.)</td> </tr> </tbody> </table> <p style="text-align: right;">← Initial value</p> </div> </div> <p>(For details of auto tuning, see Appendix 1.)</p>	Set value	Function	0	Auto tuning is not performed.	1	Normal measurement mode (The motor runs.)	2	R1, R2, or L measurement mode (The motor does not run.)
Set value	Function								
0	Auto tuning is not performed.								
1	Normal measurement mode (The motor runs.)								
2	R1, R2, or L measurement mode (The motor does not run.)								
<div data-bbox="188 1590 300 1680" style="border: 1px solid black; padding: 2px; display: inline-block;">A98</div>  <b>Motor data selection</b>	<p>Select the motor constant used for sensorless vector control (SLV).</p> <div style="display: flex; justify-content: space-between;"> <div data-bbox="359 1646 917 1870" style="width: 45%;"> <p>Initial value</p> </div> <div data-bbox="917 1680 1444 1960" style="width: 45%;"> <table border="1"> <thead> <tr> <th>Set value</th> <th>Data used</th> </tr> </thead> <tbody> <tr> <td>0</td> <td>Old Hitachi general-purpose motor data</td> </tr> <tr> <td>1</td> <td>New Hitachi general purpose motor data (The MotorÓ)</td> </tr> <tr> <td>2</td> <td>Auto tuning data</td> </tr> </tbody> </table> <p style="text-align: right;">← Initial value</p> </div> </div>	Set value	Data used	0	Old Hitachi general-purpose motor data	1	New Hitachi general purpose motor data (The MotorÓ)	2	Auto tuning data
Set value	Data used								
0	Old Hitachi general-purpose motor data								
1	New Hitachi general purpose motor data (The MotorÓ)								
2	Auto tuning data								

Extension function code	Contents and display
 <p data-bbox="178 459 288 555"><b>Ro-T- option selection</b></p>	Unusable

Extension function code	Contents and display																																																																																																														
<div style="display: flex; flex-direction: column; align-items: center;"> <div style="display: flex; align-items: center; margin-bottom: 5px;">  <span style="margin: 0 5px;">to</span>  </div> <div style="margin-bottom: 5px;"><b>Input terminal setting 1 to 8</b></div> </div>	<p>A terminal function is allocated to each of the input intelligent terminals 1 to 8. When using a function other than the standard set functions or changing the terminal order, set the function for each terminal. The minimum input signal acceptance time of the input intelligent terminals is about 20 ms.</p> <div style="display: flex; justify-content: space-between;"> <div data-bbox="384 443 1002 846"> <p style="text-align: center;">Array of codes and intelligent terminals</p> <table border="1" style="width: 100%; border-collapse: collapse; text-align: center;"> <thead> <tr> <th>Code</th> <th>Function name</th> <th>Terminal rating plate</th> <th>Initial setting</th> </tr> </thead> <tbody> <tr><td>C 0</td><td>Input terminal setting 1</td><td>1</td><td>18</td></tr> <tr><td>C 1</td><td>Input terminal setting 2</td><td>2</td><td>16</td></tr> <tr><td>C 2</td><td>Input terminal setting 3</td><td>3</td><td>5</td></tr> <tr><td>C 3</td><td>Input terminal setting 4</td><td>4</td><td>11</td></tr> <tr><td>C 4</td><td>Input terminal setting 5</td><td>5</td><td>9</td></tr> <tr><td>C 5</td><td>Input terminal setting 6</td><td>6</td><td>13</td></tr> <tr><td>C 6</td><td>Input terminal setting 7</td><td>7</td><td>1</td></tr> <tr><td>C 7</td><td>Input terminal setting 8</td><td>8</td><td>0</td></tr> </tbody> </table> </div> <div data-bbox="1050 421 1423 902"> <p style="text-align: center;">PCB terminal array</p> <table border="1" style="width: 100%; border-collapse: collapse; text-align: center;"> <tbody> <tr><td>FM</td></tr> <tr><td>CM1</td></tr> <tr><td>PLC</td></tr> <tr><td>P24</td></tr> <tr><td>FW</td></tr> <tr><td>8</td></tr> <tr><td>7</td></tr> <tr><td>6</td></tr> <tr><td>5</td></tr> <tr><td>4</td></tr> <tr><td>3</td></tr> <tr><td>2</td></tr> <tr><td>1</td></tr> <tr><td>H</td></tr> </tbody> </table> <div style="text-align: right; margin-top: 10px;"> <span style="font-size: 2em;">}</span> Input intelligent terminal section         </div> </div> </div> <p><b>Setting method</b></p> <p>Press the <b>FUNC</b> key once for the terminal code to be set.</p> <p>The set values of the terminals which are set at present are displayed. Display the set value of the terminal to be used from the function list indicated below by pressing the key <b>▲</b> and <b>▼</b> and then press the <b>FUNC</b> key.</p> <p>The display is returned to the code display and the terminal function is changed.</p> <div style="text-align: center; margin: 10px 0;"> <p>Enter the set value of the terminal name to be used by pressing the keys <b>▲</b> and <b>▼</b>.</p>  </div> <p style="text-align: center;">Setting example: The RS (reset) function is changed to the SFT (terminal software lock) function.</p> <p><b>Input terminal function list</b></p> <table border="1" style="width: 100%; border-collapse: collapse; text-align: center;"> <thead> <tr> <th>Set value</th> <th>Abbreviation</th> <th>Function name</th> <th>Set value</th> <th>Abbreviation</th> <th>Function name</th> </tr> </thead> <tbody> <tr><td>0</td><td>REV</td><td>Reverse</td><td>11</td><td>FRS</td><td>Free run</td></tr> <tr><td>1</td><td>CF1</td><td>Multispeed 1</td><td>12</td><td>EXT</td><td>External trip</td></tr> <tr><td>2</td><td>CF2</td><td>Multispeed 2</td><td>13</td><td>USP</td><td>USP function</td></tr> <tr><td>3</td><td>CF3</td><td>Multispeed 3</td><td>14</td><td>CS</td><td>Commercial power source switching</td></tr> <tr><td>5</td><td>JG</td><td>Jogging</td><td>15</td><td>SFT</td><td>Terminal software lock</td></tr> <tr><td>6</td><td>DB</td><td>External DC braking</td><td>16</td><td>AT</td><td>Analog input voltage/current switching</td></tr> <tr><td>7</td><td>STN</td><td>Initialization</td><td>18</td><td>RS</td><td>Reset</td></tr> <tr><td>8</td><td>SET</td><td>2nd function</td><td>27</td><td>UP</td><td>Remote operation function, acceleration</td></tr> <tr><td>9</td><td>CH1</td><td>2-stage acceleration and deceleration</td><td>28</td><td>DWN</td><td>Remote operation function, deceleration</td></tr> </tbody> </table> <p><b>Precautions for terminal setting</b></p> <p>Same terminals cannot be set between <b>C 0</b> and <b>C 7</b>.</p> <p>When moving a terminal name to another terminal, set another terminal which is not to be used at the setting source before inputting the set value to the setting destination and then select the terminal name which is to be set at the setting destination.</p>	Code	Function name	Terminal rating plate	Initial setting	C 0	Input terminal setting 1	1	18	C 1	Input terminal setting 2	2	16	C 2	Input terminal setting 3	3	5	C 3	Input terminal setting 4	4	11	C 4	Input terminal setting 5	5	9	C 5	Input terminal setting 6	6	13	C 6	Input terminal setting 7	7	1	C 7	Input terminal setting 8	8	0	FM	CM1	PLC	P24	FW	8	7	6	5	4	3	2	1	H	Set value	Abbreviation	Function name	Set value	Abbreviation	Function name	0	REV	Reverse	11	FRS	Free run	1	CF1	Multispeed 1	12	EXT	External trip	2	CF2	Multispeed 2	13	USP	USP function	3	CF3	Multispeed 3	14	CS	Commercial power source switching	5	JG	Jogging	15	SFT	Terminal software lock	6	DB	External DC braking	16	AT	Analog input voltage/current switching	7	STN	Initialization	18	RS	Reset	8	SET	2nd function	27	UP	Remote operation function, acceleration	9	CH1	2-stage acceleration and deceleration	28	DWN	Remote operation function, deceleration
Code	Function name	Terminal rating plate	Initial setting																																																																																																												
C 0	Input terminal setting 1	1	18																																																																																																												
C 1	Input terminal setting 2	2	16																																																																																																												
C 2	Input terminal setting 3	3	5																																																																																																												
C 3	Input terminal setting 4	4	11																																																																																																												
C 4	Input terminal setting 5	5	9																																																																																																												
C 5	Input terminal setting 6	6	13																																																																																																												
C 6	Input terminal setting 7	7	1																																																																																																												
C 7	Input terminal setting 8	8	0																																																																																																												
FM																																																																																																															
CM1																																																																																																															
PLC																																																																																																															
P24																																																																																																															
FW																																																																																																															
8																																																																																																															
7																																																																																																															
6																																																																																																															
5																																																																																																															
4																																																																																																															
3																																																																																																															
2																																																																																																															
1																																																																																																															
H																																																																																																															
Set value	Abbreviation	Function name	Set value	Abbreviation	Function name																																																																																																										
0	REV	Reverse	11	FRS	Free run																																																																																																										
1	CF1	Multispeed 1	12	EXT	External trip																																																																																																										
2	CF2	Multispeed 2	13	USP	USP function																																																																																																										
3	CF3	Multispeed 3	14	CS	Commercial power source switching																																																																																																										
5	JG	Jogging	15	SFT	Terminal software lock																																																																																																										
6	DB	External DC braking	16	AT	Analog input voltage/current switching																																																																																																										
7	STN	Initialization	18	RS	Reset																																																																																																										
8	SET	2nd function	27	UP	Remote operation function, acceleration																																																																																																										
9	CH1	2-stage acceleration and deceleration	28	DWN	Remote operation function, deceleration																																																																																																										

Extension function code	Contents and display																								
<div style="display: flex; flex-direction: column; align-items: center;"> <div style="margin-bottom: 10px;">  </div> <div style="margin-bottom: 10px;">  </div> <div style="text-align: center;"> <p><b>Output terminal setting 11 and 12</b></p> </div> </div>	<p>A terminal function is allocated to each of the output intelligent terminals 11 and 12. When using a function other than the standard set functions or changing the terminal order, set the function for each terminal.</p> <p>Array of codes and intelligent terminals</p> <table border="1" data-bbox="331 465 900 600"> <thead> <tr> <th>Code</th> <th>Function name</th> <th>Terminal rating plate</th> <th>Initial setting</th> </tr> </thead> <tbody> <tr> <td>C10</td> <td>Output terminal setting 11</td> <td>11</td> <td>0</td> </tr> <tr> <td>C11</td> <td>Output terminal setting 12</td> <td>12</td> <td>1</td> </tr> </tbody> </table> <p>Input terminal function list</p> <table border="1" data-bbox="331 651 873 819"> <thead> <tr> <th>Set value</th> <th>Abbreviation</th> <th>Function name</th> </tr> </thead> <tbody> <tr> <td>0</td> <td>FA1</td> <td>Frequency arrival signal</td> </tr> <tr> <td>1</td> <td>RUN</td> <td>Signal during running</td> </tr> <tr> <td>2</td> <td>OTQ</td> <td>Overtorque signal (Note)</td> </tr> </tbody> </table> <div style="text-align: right; margin-top: 20px;"> <p>PCB terminal array</p>  <p>The setting method is the same as that of the input terminals  to .</p> </div> <p><b>NOTE:</b> The torque of the overtorque signal can be set by the remote operator. The initial values of motoring and regeneration are 100% torque. The overtorque signal can be used only under the sensorless vector control.</p> <p><b>Setting method</b></p> <p>Press the  key once for the terminal code to be set.</p> <p>The set values of the terminals which are set at present are displayed. Display the set value of the terminal to be used from the function list indicated below by pressing the key  and  and then press the  key.</p> <p>The display is returned to the code display and the terminal function is changed.</p> <div style="text-align: center; margin-top: 20px;"> <p>Enter the set value of the terminal name to be used by pressing the keys  and .</p>  </div> <p><b>Precautions for terminal setting</b></p> <p>Same terminals cannot be set between  and .</p> <p>When moving a terminal name to another terminal, set another terminal which is not to be used at the setting source before inputting the set value to the setting destination and then select the terminal name which is to be set at the setting destination.</p>	Code	Function name	Terminal rating plate	Initial setting	C10	Output terminal setting 11	11	0	C11	Output terminal setting 12	12	1	Set value	Abbreviation	Function name	0	FA1	Frequency arrival signal	1	RUN	Signal during running	2	OTQ	Overtorque signal (Note)
Code	Function name	Terminal rating plate	Initial setting																						
C10	Output terminal setting 11	11	0																						
C11	Output terminal setting 12	12	1																						
Set value	Abbreviation	Function name																							
0	FA1	Frequency arrival signal																							
1	RUN	Signal during running																							
2	OTQ	Overtorque signal (Note)																							

Extension function code	Contents and display																																																																																		
<div data-bbox="188 320 292 405" style="border: 1px solid black; padding: 2px; display: inline-block;">[ 20 ]</div>  <div data-bbox="172 456 280 613" style="border: 1px solid black; padding: 2px;"> <b>Input terminal a and b contact setting</b> </div>	<p>The input intelligent terminals 4 to 1 can be changed individually to the a contact or b contact specification. Select the set value by pressing the keys ▲ and ▼ by combining the contacts a and b with reference to the table indicated below.</p> <p style="text-align: center;">       { Example: When the set value is A: { Contact a: Input terminals 3, 1 }        { Contact b: Input terminals 4, 2 } }     </p> <p>Setting method</p> <div style="text-align: center;"> </div> <p style="text-align: center;">Select the contact specification with reference to the table indicated below.</p> <div style="display: flex; justify-content: space-between;"> <div data-bbox="331 801 469 1070" style="width: 20%;"> <p>Initial value</p> <div style="border: 1px solid black; padding: 2px; display: inline-block;">[ 00 ]</div> <p>Set the high order to 0.</p> </div> <div data-bbox="480 786 1193 1070" style="width: 60%;"> <table border="1" style="width: 100%; border-collapse: collapse; text-align: center;"> <thead> <tr> <th>Set value</th> <th>F</th> <th>E</th> <th>d</th> <th>C</th> <th>b</th> <th>A</th> <th>9</th> <th>8</th> <th>7</th> <th>6</th> <th>5</th> <th>4</th> <th>3</th> <th>2</th> <th>1</th> <th>0</th> </tr> </thead> <tbody> <tr> <th rowspan="4" style="writing-mode: vertical-rl; transform: rotate(180deg);">Input terminal</th> <td>4</td> <td>b</td> <td>b</td> <td>b</td> <td>b</td> <td>b</td> <td>b</td> <td>b</td> <td>a</td> <td>a</td> <td>a</td> <td>a</td> <td>a</td> <td>a</td> <td>a</td> <td>a</td> </tr> <tr> <td>3</td> <td>b</td> <td>b</td> <td>b</td> <td>b</td> <td>a</td> <td>a</td> <td>a</td> <td>a</td> <td>b</td> <td>b</td> <td>b</td> <td>b</td> <td>a</td> <td>a</td> <td>a</td> </tr> <tr> <td>2</td> <td>b</td> <td>b</td> <td>a</td> <td>a</td> <td>b</td> <td>b</td> <td>a</td> <td>a</td> <td>b</td> <td>b</td> <td>a</td> <td>a</td> <td>b</td> <td>b</td> <td>a</td> </tr> <tr> <td>1</td> <td>b</td> <td>a</td> <td>b</td> <td>a</td> <td>b</td> <td>a</td> <td>b</td> <td>a</td> <td>b</td> <td>a</td> <td>b</td> <td>a</td> <td>b</td> <td>a</td> <td>a</td> </tr> </tbody> </table> </div> <div data-bbox="1204 725 1436 965" style="width: 20%;"> <p>Initial setting</p> <p>a: Contact a specification (Shorted when power is turned ON)</p> <p>b: Contact b specification (Opened when power is turned ON)</p> </div> </div> <p style="text-align: center;">Input terminal a and b contacts function list</p>	Set value	F	E	d	C	b	A	9	8	7	6	5	4	3	2	1	0	Input terminal	4	b	b	b	b	b	b	b	a	a	a	a	a	a	a	a	3	b	b	b	b	a	a	a	a	b	b	b	b	a	a	a	2	b	b	a	a	b	b	a	a	b	b	a	a	b	b	a	1	b	a	b	a	b	a	b	a	b	a	b	a	b	a	a
Set value	F	E	d	C	b	A	9	8	7	6	5	4	3	2	1	0																																																																			
Input terminal	4	b	b	b	b	b	b	b	a	a	a	a	a	a	a	a																																																																			
	3	b	b	b	b	a	a	a	a	b	b	b	b	a	a	a																																																																			
	2	b	b	a	a	b	b	a	a	b	b	a	a	b	b	a																																																																			
	1	b	a	b	a	b	a	b	a	b	a	b	a	b	a	a																																																																			
<div data-bbox="188 1160 292 1245" style="border: 1px solid black; padding: 2px; display: inline-block;">[ 21 ]</div>  <div data-bbox="172 1296 280 1453" style="border: 1px solid black; padding: 2px;"> <b>Output terminal a and b contact setting</b> </div>	<p>The output ingent terminal 11 and 12 and alarm output terminal can be changed individually to the a contact or b contact specification. Select the set value by pressing the keys ▲ and ▼ by combining the contacts a and b with reference to the table indicated below.</p> <p style="text-align: center;">       { Example: When the set value is [ 07 ]: { Alarm output: Contact b }        { Terminals 11 and 12: Contact b } }     </p> <p>Setting method</p> <div style="text-align: center;"> </div> <div style="display: flex; justify-content: space-between;"> <div data-bbox="331 1648 469 1917" style="width: 20%;"> <p>Initial value</p> <div style="border: 1px solid black; padding: 2px; display: inline-block;">[ 04 ]</div> <p>Set the high order to 0.</p> </div> <div data-bbox="480 1615 1102 1861" style="width: 60%;"> <table border="1" style="width: 100%; border-collapse: collapse; text-align: center;"> <thead> <tr> <th>Set value</th> <th>7</th> <th>6</th> <th>5</th> <th>4</th> <th>3</th> <th>2</th> <th>1</th> <th>0</th> </tr> </thead> <tbody> <tr> <th rowspan="3" style="writing-mode: vertical-rl; transform: rotate(180deg);">Output terminal</th> <td>11</td> <td>b</td> <td>a</td> <td>b</td> <td>a</td> <td>b</td> <td>a</td> <td>b</td> </tr> <tr> <td>12</td> <td>b</td> <td>b</td> <td>a</td> <td>a</td> <td>b</td> <td>b</td> <td>a</td> </tr> <tr> <td>Alarm</td> <td>b</td> <td>b</td> <td>b</td> <td>b</td> <td>a</td> <td>a</td> <td>a</td> </tr> </tbody> </table> </div> <div data-bbox="1118 1666 1426 1861" style="width: 20%;"> <p>Output terminals 11 and 12</p> <p>a: Contact a specification (Shorted when power is turned ON)</p> <p>b: Contact b specification (Opened when power is turned ON)</p> </div> </div> <p style="text-align: center;">(NOTE) Output terminal code list</p> <p><b>NOTE:</b> For details of the Alarm terminal, see page 6-5.</p>	Set value	7	6	5	4	3	2	1	0	Output terminal	11	b	a	b	a	b	a	b	12	b	b	a	a	b	b	a	Alarm	b	b	b	b	a	a	a																																																
Set value	7	6	5	4	3	2	1	0																																																																											
Output terminal	11	b	a	b	a	b	a	b																																																																											
	12	b	b	a	a	b	b	a																																																																											
	Alarm	b	b	b	b	a	a	a																																																																											

## 8. PROTECTION FUNCTIONS

The J300 series inverters are equipped with protection functions against overcurrent, overvoltage, and undervoltage which protect the inverter. If the protection functions are engaged, the output is shut down, motor runs free and holds that condition until it is reset.

Description	Contents	Display	
Over current protection	A current due to the alternating current CT between the power module and output terminal {U(T1), V(T2), W(T3)} is detected. When the motor is restricted or decelerated suddenly, a large current flows through the inverter and causes a fault. Therefore, when an abnormal current is detected by the alternating current CT and it exceeds a specified value, the output is cut off. (An abnormal current is also detected in the power module. Refer to <a href="#">E31</a> , <a href="#">E32</a> , <a href="#">E33</a> , and <a href="#">E34</a> .)	Constant speed	<a href="#">E01</a>
		Dec.	<a href="#">E02</a>
		Acc.	<a href="#">E03</a>
Overload protection (NOTE 1)	When a motor overload is detected by the electronic thermal function, the output of the inverter is cut off.	<a href="#">E05</a>	
Braking resistor overload	When the braking time exceeds the setting by <a href="#">A30</a> braking duty factor, an overvoltage the output of the inverter is cut off.	<a href="#">E06</a>	
Overvoltage protection	When the converter voltage exceeds a certain level due to regenerative energy from the motor, this protection function engages, and the output of inverter is cut off.	<a href="#">E07</a>	
EEPROM error (NOTE 2)	When the memory built in has problems due to noise or excessive temperature rise, this protective function engages, and the output of inverter is cut off.	<a href="#">E08</a>	
Undervoltage protection	A decrease of the input voltage of an inverter results in improper function of the control circuit. It also generates motor heat and causes low torque. Output is cut off when the input voltage goes down to less than 150-160V/300-320V(200/400Vclass).	<a href="#">E09</a>	
CT error	Abnormality on built-in CT and the output of the inverter is cut off.	<a href="#">E10</a>	
CPU error	Malfunction or abnormality on built-in CPU and the output of the inverter is cut off.	<a href="#">E11</a>	
External trip	An abnormality signal from external equipment cuts off the output of the inverter. (When external trip function is selected)	<a href="#">E12</a>	
USP error	It indicates an error when power is turned on while the inverter is being run. (When USP function is selected)	<a href="#">E13</a>	
Ground fault protection	The inverter is protected by detection of ground faults between the inverter output and the motor upon power on. There may be the possibility of power module failure.	<a href="#">E14</a>	
Input overvoltage	When the input voltage is higher than the specified value, it is detected 100 seconds after power is turned on and the output is cut off. However, when a voltage higher than approx. 250 to 270 V (200V class), 500 to 530 V (400 V class) is inputted, it is higher than the rated value of the part in use, so that the part may not be protected and damaged.	<a href="#">E15</a>	
Instantaneous power failure (NOTE 4)	When an instantaneous power failure for more than 15 ms occurs, the output is cut off. When the instantaneous power failure time is long, the fault signal is released. Note that when restart is selected, the equipment restarts when the running command remains.	<a href="#">E16</a>	



Description	Contents		Display
Optional connection error	An error occurs in the optional connection (connector, etc.).	Option 1	
		Option 2	
Optional PCB error	An error message outputted from the optional PCB <b>NOTE 5</b>	Option 1	
		Option 2	
Phase failure protection error	When a phase failure is detected on the receiving side {R(L1), S(L2), T(L3)} of the inverter, the output is cut off. (NOTE 3)		
Power module protection	The detector which is built in the power module operates. When the output side of the inverter is shorted or the motor is restricted, a large current flows through the inverter and causes a fault. Therefore, when a current in the power module or an abnormal temperature of the main device is detected and it exceeds a specified value, the output is cut off.	Constant speed	
		Deceleration	
		Acceleration	
		Stop	

**NOTE 1:** If a trip occurs, press the RESET key or short the reset terminal RS-CM1 assigned as a control circuit terminal after a delay of 10 seconds.

**NOTE 2:** A trip can be cleared by pressing the RESET key or shorting the reset terminal RS-CM1 assigned as a control circuit terminal. Resetting the power supply cannot clear a trip. (To reset the power supply is to turn power off and turn it on again after the CHARGE lamp at the upper right corner of the control PC board goes off.) Check again whether the set data is correct.

**NOTE 3:** Power OFF during motor deceleration may cause an input phase failure error.

**NOTE 4:** The instantaneous ride-thru period of 15ms may be shortened depending on the power supply voltage or load.

**NOTE 5:** When the J-FB is installed, an error is displayed for each factor as shown below.

Encoder line break:

Overspeed:

Positioning error:

Thermistor line break:

Motor overheat:

Malfunction or abnormality on built-in CPU of the option:

## Other display

Display	Contents
	It is displayed when the reset signal is kept supplied or an error occurs between the digital operator and inverter. When one of the keys  ,  , and  is pressed, it is recovered. When it is not recovered, turn power on once again.
	It is displayed when a data set value more than 3 digits in length (for example,  1000) is set.
	It is displayed when power is turned off.
	There is no trip history available.
	This is not an abnormal operation because the instantaneous stop restart function is being performed. (When 1 to 3 is selected by the extension function  .)
	The autotuning operation terminates normally.
	The autotuning operation terminates abnormally.
	Waiting due to insufficient voltage. After recovery, the original display appears.

## 9. TROUBLESHOOTING

### 9.1 Error Messages and Diagnosis

When the inverter goes wrong, it operates as indicated below. Find the cause and take countermeasures.

Error Messages and Diagnosis

Symptom				Cause  (explanation of message)	How to reset  (NOTE 1)	Check	Countermeasure
Circuit breaker  (MCB)	Electromagnetic contactor (Mg)	Thermal relay  (THRY)	Display on the digital operator  (display on the LCD of the remote operator)				
			<b>E01</b> (OC. Drive)	○ Overcurrent detected by the AC CT while the motor was running at a constant speed (overcurrent during operation)	A	Check whether a load was changed rapidly.	Do not change loads rapidly.
						Check whether there is a shorted output or ground fault.	Check whether the output lines or motor is shorted.
			<b>E02</b> (OC. Decel)	○ Overcurrent detected by the AC CT during motor deceleration (overcurrent during deceleration)	A	Check whether the speed was decreased rapidly.	Set a longer deceleration time.
						Check whether there is a shorted output or ground fault.	Check whether the output lines or motor is shorted.
			<b>E03</b> (OC. Accel)	○ Overcurrent detected by the AC CT during motor acceleration (overcurrent during acceleration)	A	Check whether a load was changed rapidly.	Do not change loads rapidly.
						Check whether there is a shorted output or ground fault.	Check whether the output lines or motor is shorted.
						Check whether the start frequency is too high.	Lower the start frequency.
						Check whether the torque boost is too high.	Lower the torque boost.
						Check whether the motor is locked.	Check the motor or loads.
			<b>E05</b> (Over. L)	○ Overloaded inverter (operation under an overload)	A	Check for an overload.	Lower the load ratio.
						Check whether the electronic thermal level is correct. (Check whether the level has been changed.)	Set an appropriate level.

**NOTE 1:** How to reset

- A: Stop the inverter. Then, connect the <RS> and <CM1> control terminals or press the STOP/RESET key on the operator.
- B: Operate the circuit breaker and electromagnetic contactor (turn the power on again).
- C: Stop the inverter. Then, reset the thermal relay.

Symptom				Cause  (explanation of message)	How to reset	Check	Countermeasure
Circuit breaker (MCB)	Electromagnetic contactor (Mg)	Thermal relay (THRY)	Failure alarm relay  (display on the digital operator  (display on the LCD of the remote operator))				
			<b>E06</b> (OL. BRD)	○ The regenerative braking time is longer by the value set by BRD%ED.	A	Check the braking resistor use ratio set in <b>[A38]</b> .	<ul style="list-style-type: none"> <li>• Set a longer deceleration time.</li> <li>• Set a larger operation duty cycle.</li> <li>• Set <b>[A38]</b> to <b>[0.0]</b>.</li> </ul>
			<b>E07</b> (Over. V)	○ Overvoltage in the DC smoothing circuit	A	Check whether the speed was decreased rapidly.	Set a longer deceleration time.
						Check whether the motor was run from the load side.	Do not use consecutive regenerative loads.
						Check whether there is a ground fault.	Check whether the output lines or motor is shorted.
			<b>E08</b> (EEPROM)	○ EEPROM error	A	Check whether there is a large-noise source near the inverter.	Move the noise source away.
						Check whether the ambient temperature is too high.	Replace the cooling fan.
			<b>E09</b> (Under. V)	○ Defective power supply (insufficient voltage)	A	Check whether the voltage is lowered.	Check the power supply.
						Check whether the MCB or Mg has a poor contact.	Replace the MCB or Mg.
						Check whether 10 or more instantaneous power outages within 100 ms occurred in 10 minutes.	Check the power supply.
			<b>E10</b> (CT)	○ CT error	A	Check whether the CT is defective.	Repair the CT.
			<b>E11</b> (CPU)	○ CPU error	A	Check whether there is a large-noise source near the inverter.	Move the noise source away.
						Check whether the inverter is defective.	Repair the inverter.
			<b>E12</b> (EXTERNAL)	○ External trip	A	Check whether there was a defective external unit when the external trip function was selected.	Eliminate the error from the external unit.
			<b>E13</b> (USP)	○ USP error	A	Check whether power was turned on while the inverter was running when the USP function was selected.	Eliminate the error from the external unit.

Symptom				Cause (explanation of message)	How to reset	Check	Countermeasure
Circuit breaker (MCB)	Electromagnetic contactor (Mg)	Thermal relay (THRY)	Failure alarm relay				
			<b>E 14</b> (GND. Flt)	○ Ground fault on the output side of the inverter	A	Check the wiring between the inverter and motor and also check the motor for a ground fault. (Use a megger.)	Correct the portions having a ground fault.
			<b>E 15</b> (OV. SRC)	○ Excessive received voltage	A	Check whether an excessive voltage was received during an operation other than deceleration.	<ul style="list-style-type: none"> <li>• Lower the voltage to be received.</li> <li>• Reduces fluctuations of the received voltage.</li> <li>• Install an AC reactor on the input side.</li> </ul>
			<b>E 16</b> (Inst. P-F)	○ Defective power supply (instantaneous power outage)	A	Check whether the voltage is lowered.	Restore the power supply to normal.
						Check whether the MCB or Mg has a poor contact.	Replace the MCB or Mg.
			<b>E 17</b> (NG. OP1)	○ Incorrectly connected option-1 PC board	A	Check the connectors and other connections for abnormal conditions.	Repair the defective connections.
			<b>E 18</b> (NG. OP2)	○ Incorrectly connected option-2 PC board	A	Check the connectors and other connections for abnormal conditions.	Repair the defective connections.
			<b>E 19</b> (OP1)	○ Defective option-1 PC board	A	Refer to the instruction manual.	
			<b>E 20</b> (OP2)	○ Defective option-2 PC board	A	Refer to the instruction manual.	
			<b>E 24</b> (PH. Fail)	○ Defective power supply (missing phase)	A	Check the power supply connections for abnormal conditions.	Repair the abnormal portions.
						Check whether the MCB or Mg has a poor contact.	Replace the MCB or Mg.
			<b>E 31</b> (PM. Drive)	○ (NOTE 1) Failure detected by a detector in the power module while the motor was running at a constant speed, or excessive temperature rise in the inverter	A	Check whether a load was changed rapidly.	Do not change loads rapidly.
						Check whether there is a shorted output or ground fault.	Check whether the output lines or motor is shorted.
			<b>E 32</b> (PM. Decel)	○ (NOTE 1) Failure detected by a detector in the power module during motor deceleration, or excessive temperature rise in the inverter	A	Check whether the speed was decreased rapidly.	Set a longer deceleration time.
						Check whether there is a shorted output or ground fault.	Check whether the output lines or motor is shorted.

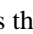
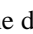
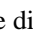
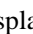




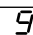
**NOTE 1:** The failures detectable in the power module are overcurrents, excessively hot main devices, and insufficient voltages from the gate circuit power supply.

Symptom				Cause  (explanation of message)	How to reset	Check	Countermeasure
Circuit breaker (MCB)	Electromagnetic contactor (Mg)	Thermal relay (THRY)	Failure alarm relay				
			<p><b>E33</b> (PM. Accel)</p> <p>○</p>	<p><b>(NOTE 1)</b> Failure detected by a detector in the power module during motor acceleration, or excessive temperature rise in the inverter</p>	A	<p>Check whether the speed was increased rapidly.</p> <p>Check whether a load was changed rapidly.</p> <p>Check whether there is a shorted output or ground fault.</p> <p>Check whether the start frequency is too high.</p> <p>Check whether the torque boost is too high.</p> <p>Check whether the motor is locked.</p>	<p>Set a longer acceleration time.</p> <p>Do not change loads rapidly.</p> <p>Check whether the output lines or motor is shorted.</p> <p>Lower the start frequency.</p> <p>Lower the torque boost.</p> <p>Check the motor or loads.</p>
			<p><b>E34</b> (PM. ERR)</p> <p>○</p>	<p><b>(NOTE 1)</b> Failure detected by a detector in the power module while the motor was stopping, or excessive temperature rise in the inverter</p>	A	<p>Check whether the installation is vertical and the wall is a nonflammable wall such as an iron plate.</p> <p>Check whether the cooling fan is running and the ambient temperature is too high.</p> <p>Check the internal power supply.</p> <p>Check the main devices.</p>	<p>Check the installation.</p> <p>Replace the cooling fan.</p> <p>Repair the internal power supply.</p> <p>Repair main devices.</p>
			<p><b>E60</b> (OP1 0) to <b>E67</b> (OP1 7)</p> <p>○</p>	Defective J-FB PC board	A	Refer to the manual supplied with the J-FB PC board.	
			<p><b>E70</b> (OP2 0) to <b>E77</b> (OP2 7)</p> <p>○</p>	Defective J-FB PC board	A	Refer to the manual supplied with the J-FB PC board.	

**NOTE 1:** The failures detectable in the power module are overcurrents, excessively hot main devices, and insufficient voltages from the gate circuit power supply.

Symptom				Cause  (explanation of message)	How to reset	Check	Countermeasure
Circuit breaker (MCB)	Electromagnetic contactor (Mg)	Thermal relay (THRY)	Display on the digital operator  (display on the LCD of the remote operator)				
		○	—	—	C	Check for an overload.	Lower the load ratio.
						Check whether the thermal relay is set to an appropriate value.	Set the thermal relay to an appropriate value.
○			—	—	B	Check whether there is a short or ground fault in the power supply.	Remove the short or ground fault.
						Check whether the MCB capacity is sufficient.	Increase the MCB capacity.
						Check whether the inverter module or converter module is defective.	Repair the inverter module or converter module.
	○		—	—	B	Check for a power outage.	Restore the power supply to normal.
				Power outage		Check whether the MCB or Mg has a poor contact.	Replace the MCB or Mg.

## 9.2 Trouble shooting

Symptom		Probable cause	Countermeasure
The motor will not run.	The inverter outputs U(T1), V(T2) and W(T3) are not supplying voltage.	<ul style="list-style-type: none"> <li>Is power being supplied to terminals R(L1), S(L2) and T(L3)? If it is, the POWER lamp should be on.</li> </ul>	<ul style="list-style-type: none"> <li>Check terminals R(L1), S(L2), T(L3), U(T1), V(T2), and W(T3).</li> <li>Turn on the power supply.</li> </ul>
		<ul style="list-style-type: none"> <li>Is the display E   ?</li> </ul>	<ul style="list-style-type: none"> <li>Press   and check the content. Then press the reset key.</li> </ul>
		<ul style="list-style-type: none"> <li>Is the operation instruction RUN ON?</li> <li>Is terminal FW (or REV) connected to terminal CM1?</li> </ul>	<ul style="list-style-type: none"> <li>Set to ON.</li> <li>Connect terminal CM1 to terminal FW (or REV) on the printed-circuit board. (When the terminal mode is selected.)</li> </ul>
		<ul style="list-style-type: none"> <li>Has the frequency setter been turned on by pushing  key and then   key.</li> <li>Are the printed-circuit board terminals H, O and L connected to the potentiometer?</li> <li>Are the terminals connected to the external and internal interface power source the terminal mode is selected?</li> </ul>	<ul style="list-style-type: none"> <li>Push down keys and set.</li> <li>When terminal mode is selected, connect the potentiometer to H, O, and L, and then set.</li> <li>In the case of the internal interface power source, short the terminals P24 and PLC or CM1 and PLC.</li> <li>In the case of the external interface power source, turn the PLC terminal on.</li> </ul>
		<ul style="list-style-type: none"> <li>Has RS/FRS been left ON?</li> </ul>	<ul style="list-style-type: none"> <li>Release reset.</li> <li>Contact FRS.</li> </ul>
		<ul style="list-style-type: none"> <li>Is the mode key   setting correct?</li> </ul>	<ul style="list-style-type: none"> <li>Read the explanation of the function mode once again. (Page 7-12) F9 frequency/run commanding method</li> </ul>
Inverter outputs U(T1), V(T2) and W(T3) are supplying voltage.	<ul style="list-style-type: none"> <li>Has the motor seized or is the load too great?</li> </ul>	<ul style="list-style-type: none"> <li>Release seizure or lighten the load.</li> <li>Test the motor independently.</li> </ul>	
The optional remote operator is used. (copy unit)	<ul style="list-style-type: none"> <li>Are the remote operator and equipment body switched correctly ?</li> <li>Is the setting of the DIP switch on the back of the remote operator correct ?</li> </ul>	<ul style="list-style-type: none"> <li>Check the operation of the optional remote operator. (copy unit)</li> </ul> <div style="display: flex; align-items: center;"> <div style="margin-right: 10px;">ON</div> <div style="margin-right: 10px;">OFF</div> <div style="display: flex; align-items: center;"> <div style="margin-right: 5px;">1</div><div style="width: 15px; height: 15px; border: 1px solid black; background-color: black;"></div> <div style="margin-right: 5px;">2</div><div style="width: 15px; height: 15px; border: 1px solid black; background-color: white;"></div> <div style="margin-right: 5px;">3</div><div style="width: 15px; height: 15px; border: 1px solid black; background-color: black;"></div> <div style="margin-right: 5px;">4</div><div style="width: 15px; height: 15px; border: 1px solid black; background-color: white;"></div> </div> <div style="margin-left: 10px;">1: OFF 2: ON (Same as VWA, J100)</div> </div>	
The direction of the motor is reversed.	<ul style="list-style-type: none"> <li>Are the connections of output terminals U(T1), V(T2) and W(T3) correct?</li> <li>Is the phase sequence of the motor forward or reverse in respect to U(T1), V(T2) and W(T3)?</li> </ul>	<ul style="list-style-type: none"> <li>Make the connections according to the phase sequence of the motor. (In general, forward should be in the sequence: U(T1), V(T2) and W(T3).)</li> </ul>	
	<ul style="list-style-type: none"> <li>Are the terminals on the printed-circuit board correct?</li> </ul>	<ul style="list-style-type: none"> <li>Short the FW terminal for forward rotation or the intelligent input terminal 8 (the intelligent input terminal 8 is allocated to run command REV by initialization at factory before shipment) for reverse rotation to the CM1 terminal (Sink type).</li> </ul>	

Symptom		Probable cause	Countermeasure
The rpm of the motor will not increase.		After checking the wiring of the frequency setter, the rpm still does not increase when the setter is turned.	Replace the frequency setter.
		Are terminals 7 and CM1, terminal 6 and CM1 ON (Sink type)?	Turn off terminal 7 and 6. (When the frequency and multistage speed are fixed at a given frequency, the speed potentiometer will be invalid.)
		Is the load too great?	Decrease the load. When the load is too great, the limiting function will be activated, so that the rotational speed will be lower than the setting.
The rpm of the motor does not match the inverter.		Is the maximum frequency setting correct? Are the number of motor poles, the gear ratio, and pulley ratio correct?	Check the speed-change ratio.
The data is incorrect.	The data is returned to the initial setting.	The STN terminal is turned ON and the power is turned on. The input terminals 1 to 5 are turned ON and then power is turned on.	Turn the STN terminal OFF. Input the data again. Replace the logic PCB.
	The data has not changed.	Was the power turned off without pushing the <input type="text" value="FUNC"/> key after the data was changed with <input alt="up arrow" type="image"/> <input alt="down arrow" type="image"/> keys.	Input the data and push the <input type="text" value="FUNC"/> key once.
		The data is memorized upon power off. Is the time from power OFF to ON less than six seconds?	Take six seconds or more when turning power OFF and ON after changing the data.
	Data copied by the copy unit is not input.	Is the power turned off for five seconds or more after the display changed from REMT to INV. (HRW-OJ)	Copy again and turn the power off five seconds or more after copying.
The data is not changed.	Frequency setting can not be changed. Run and stop can not be done.	The change of the terminal mode and digital operator mode were correct?	Confirm the change in <input type="text" value="F"/> <input type="text" value="S"/> setting mode.
	The data can not be changed.	Is the input terminal SFT ON ? Is the software lock mode set at MD2 or MD3 ?  Note: If software lock is ON because of use with an explosion proof motor, do not release the software locks.	Turn the SFT terminal OFF. Turn the switch OFF.



Symptom		Probable cause	Countermeasure
Overload (Electronic thermal trip) (Low frequency zone)		Is the $F \cdot S$ torque boost too high ? Do the electronic thermal characteristics match the set characteristics of the motor ?	Decrease the torque boost. Reset the electronic thermal characteristics and level.
The input voltage trips.		Is the input voltage high ? Is the equipment stopped with the inverter DC voltage increased after sudden deceleration ?	Lower the input voltage. Set a deceleration time which is a little longer. Increase the AVR set value above the current input voltage and lower the V gain by the ratio.

## 10. MAINTENANCE AND INSPECTION

### 10.1 Maintenance and Inspection Precautions



#### WARNING

- \* Be sure to turn off the power supply during maintenance and inspection.
- \* After the power supply has been turned off, you must always wait 10 minutes so that DC bus capacitors can discharge then start maintenance and inspection after the CHARGE lamp on the printed-circuit board has gone out. (Immediately after the lamp has gone out, there will be a residual voltage of about 50 V DC in the DC bus intermediate circuit.)  
Perform the work after the CHARGE lamp has stopped flickering.
- \* Make sure that only qualified persons will perform maintenance, inspection and part replacement. (Before starting the work, remove metallic objects from your person (wristwatch, bracelet, etc.)  
(Be sure to use tools protected with insulation.)  
Otherwise, there is a danger of electric shock and/or injury.



#### CAUTION

- \* When removing connectors, never pull the wires. (Wires for cooling fan and thermal relay)  
Otherwise, there is a danger of fire due to wire breakage and/or injury.

- General precautions

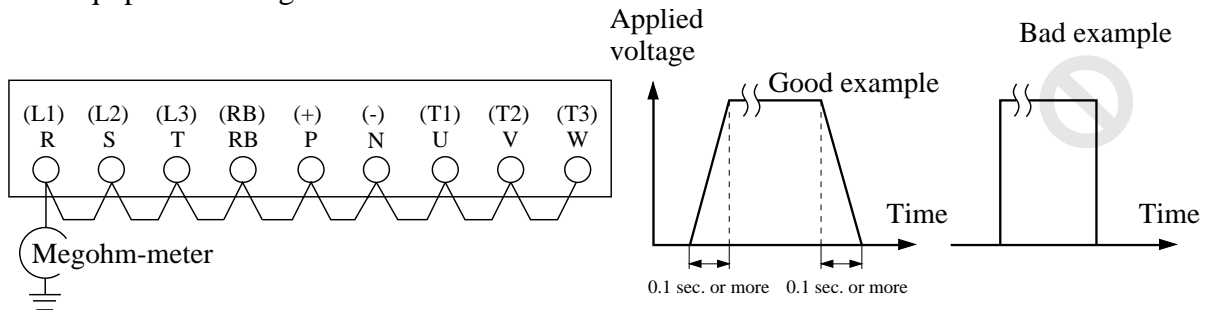
Always keep the unit clean so that dust or other foreign matter does not enter the inverter. Take special care in regard to breaking lines and connection mistakes. Firmly connect terminals and connectors. Keep electronic equipment away from moisture and oil. Dust, steel filings and other foreign matter can damage insulation, causing unexpected accidents, so take special care.

### 10.2 Inspection Items

- (1) Daily inspection
  - (2) Periodic inspection (Approximately once a year)
  - (3) Insulation resistance tests, withstand voltage tests
- } See 10-3.

Conduct these tests by short-circuiting the terminals as shown below, and by following the conditions described.

- In regard to insulation resistance tests, measure the terminals below and the grounding at 500 VDC, and make sure that 5 Megohms or greater is indicated.
- Do not perform the withstand voltage test. When it should be done, in regard to withstand voltage tests, supply the terminals below and the grounding with 1500 VAC (200 V class), 2000 VAC (400 V class) for one minute, and make sure that there are no abnormalities.
- Do not conduct insulation resistance tests and withstand voltage tests for terminals other than those indicated below.
- Increase or decrease the applied voltage for the withstand voltage test slowly and turn the equipment 0 V again.



**NOTE 1:** If the inverter is used under high temperature and heavy load conditions, its operating life will be significantly reduced.

**NOTE 2:** If the inverter has been stored for three years or more, apply the following conditions.

- 1) Apply 80% of the rated voltage of the capacitor for 1 hour at normal temperature.
- 2) Increase the voltage to 90% and apply it for 1 hour.
- 3) Apply the rated voltage for 5 hours.

**NOTE 3:** Precautions in handling printed-circuit boards.

When maintenance and inspection of printed-circuit boards is necessary, be sure to follow the precautions below.

- Prevent damage caused by static electricity. The IGBT of the inverter module, the MCUs and ICs on a printed-circuit board can be destroyed by static electricity, so be sure to ground work benches, soldering irons, and yourself before working on a printed-circuit board.

### Daily Inspection and Periodic Inspection (1/3)

10-3

Inspection location	Inspection item	Inspection content	Inspection cycle		Inspection method	Criteria	Standard replacement period	Instruments
			Daily	Periodic				
Overall	Ambient environment	Check ambient temperature, humidity, dust, corrosive gases, oil mist, etc.	✓		Visual and aural inspection.	Ambient temperature between -10 to +50°C; no icing.	—	Thermometer
	Devices overall	Check for abnormal vibrations and noise.	✓			Ambient humidity 20 to 90%; no dew condensation.		Hygrometer
	Power supply voltage	Check the input line voltage.	✓			Measure the voltage between inverter terminals R(L1), S(L2) and T(L3).	No abnormalities. 200 to 220 V, 50 Hz 200 to 230 V, 60 Hz 380 to 415 V, 50 Hz 400 to 460 V, 60 Hz	
Main circuit	Overall	(1) Insulation resistance test (between main circuit terminals and grounding terminal) (2) Check installation for looseness. (3) Check for evidence of overheating in the various components. (4) Clean.		✓  ✓  ✓  ✓	(1) Increase tightening Making a check on the torque is needed for the increase tightening of the modules such as a power module, diode module. Do not execute increase tightening with no torque gauge prepared.  (2) Tighten.  (3) Visual inspection.	No abnormalities in (1) and (2).  Tightening torque (kgf.cm) • M3: 8 - 10 • M4: 12 - 15 • M5: 20 - 25 • M6: 25 - 30 • M8: 100 - 135 • M10: 150 - 200  Tightening torque for IPM and Diode modules (kgf.cm) • M4: 10-15 • M5: 15-20 • M6: 20-25	—	500 V class Megohm meter

### Daily Inspection and Periodic Inspection (2/3)

Inspection location	Inspection item	Inspection content	Inspection cycle		Inspection method	Criteria	Standard replacement period	Instruments
			Regularly	Periodic				
Main circuit	Terminal board	No damage.		✓	Visual inspection	No abnormalities.	—	—
	Smoothing capacitor	(1) Check for leaking	✓		Visual inspection of (1) and (2).	No abnormalities in (1) and (2).	5 years (Note 1)	—
		(2) Check for swelling	✓					
	Relays	(1) Check for stuttering noise when operating		✓	(1) Aural inspection.	(1) No abnormalities.	5 years	—
	Resistors	(1) Check for large cracks or changes in color		✓	(1) Visual inspection.	(1) No abnormalities.	—	—
Cooling fan	(1) Check for abnormal vibrations and noise	✓		(1) Rotate manually with power off and increase tightening	(1) Smooth rotation	2 - 3 years	—	
	(2) Check for dust	✓		(2) Visual inspection	(2) No abnormality			

### Daily Inspection and Periodic Inspection (3/3)

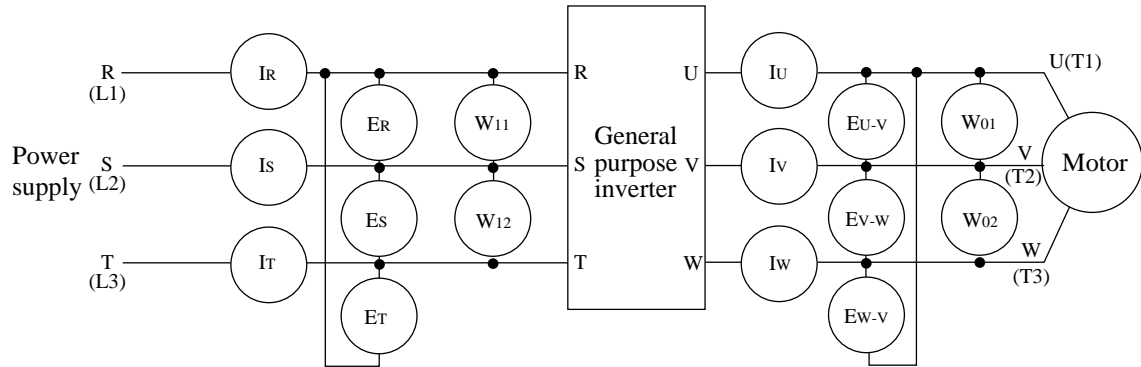
Inspection location	Inspection item		Inspection content	Inspection cycle		Inspection method	Criteria	Standard replacement period	Instruments
				Regularly	Periodic				
Control circuit	Operation check		(1) Check the balance of the output voltage of individual phases when operating the inverter independently.		✓	(1) Measure the voltage between the phases of inverter output terminals U, V, and W.	(1) Within 2% voltage difference between phases.	—	—
			(2) Conduct a sequence protection operation test, and make sure that there are no errors in the protection and display circuits.		✓	(2) Simulate operation of the inverter protection circuit.	(2) Operate without any abnormalities.		
	Component check, including printed-circuit boards	Overall	(1) No abnormal odor or changes in color. (2) No significant corrosion.		✓ ✓	Visual inspection	No abnormalities	—	—
Capacitor		No fluid leakage or deformation.	✓		Visual inspection	No abnormalities	5 years (Note 1)	—	
Display	Digital operation panel		(1) No illegible display (2) No lack of character (3) No blown out LEDs	✓ ✓ ✓		Visual inspection	Normal operation  Display can be read out.	7 years	—

Note 1. The life of the capacitor is affected by the ambient temperature. Refer to the ambient temperature - capacitor life curve shown in Appendix 5.

Note 2. The inverter must be cleaned periodically. If dust accumulates on the fan and heat sink, it can cause overheating of the inverter.

### 10.3 Measurement Method for I/O Voltage, Current, and Power

General measuring instruments for I/O voltage, current, and power are indicated below. The voltage to be measured is the fundamental wave effective voltage and the power to be measured is the total effective value.



**Table 3 Parts to be measured**

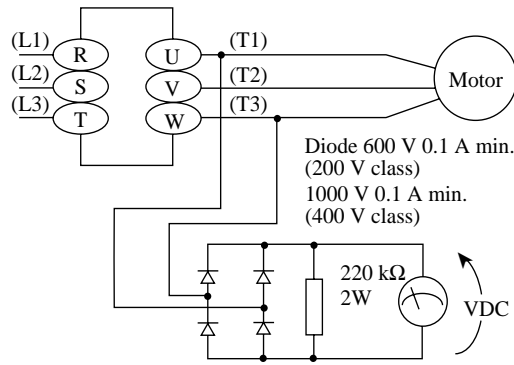
Measurement item	Parts to be measured	Measuring instrument	Remarks	Reference value
Supply voltage $E_1$	Between R and S, S and T, T and R (ER)(ES)(ET)	Moving-iron type voltmeter or rectifier type voltmeter	Fundamental wave effective value	
Supply current $I_1$	R, S, T (IR)(IS)(IT)	Moving-iron type ammeter	Total effective value	
Supply power $W_1$	Between R and S, S and T (W11)(W12)	Electrodynamic type wattmeter	Total effective value	
Supply power factor $Pf_1$	Calculate the supply power factor from the measured supply voltage, $E_1$ , supply current $I_1$ and supply power $W_1$ . $Pf_1 = \frac{W_1}{\sqrt{3} E_1 I_1} \times 100 (\%)$			
Output voltage $E_0$	Between U and V, V and W, W and U (EU)(EV)(EW)	Rectifier type voltmeter	Total effective value	
Output current $I_0$	U, V, W (IU)(IV)(IW)	Moving-iron type ammeter	Total effective value	
Output power $W_0$	Between U and V, V and W (W01)(W02)	Electronic type wattmeter	Total effective value	
Output power factor $Pf_0$	Calculate the output power factor from the output voltage E, output current I, and output power W. $Pf_0 = \frac{W_0}{\sqrt{3} E_0 I_0} \times 100(\%)$			

**NOTE 1:** Use a meter indicating a fundamental wave effective value for voltage, and meters indicating total effective values for current and power.

**NOTE 2:** The inverter output waveform is a distorted wave, and low frequencies may cause errors. However, the measuring instruments and methods indicated above provide comparatively accurate values.

**NOTE 3:** A tester (general purpose) may not be suited often to measurement of a distorted wave.

Measurement method for output voltage



Fundamental wave effective value:  
 $V_{AC} = 1.1 \times V_{DC}$

300 V (200 V class)  
600 V (400 V class)  
moving-coil type



# 11. STANDARD SPECIFICATIONS

## 11.1 Common Standards Specifications

Item		Description																							
Input voltage		200 V class									400 V class														
Model Name (Type)		055 LF	075 LF	110 LF	150 LF	220 LF	300 LF	370 LF	450 LF	550 LF	055 HF	075 HF	110 HF	150 HF	220 HF	300 HF	370 HF	450 HF	550 HF	750 HF	900 HF	1000 HF	1320 HF	1600 HF	2200 HF
Enclosure (NOTE 1)		Semienclosed type (IP20)			Open type (IP00)						Semienclosed type (IP20)			Open type (IP00)											
Rated AC input power supply (V)		Three-phase (3 wires), 200 to 220 or 200 to 230 V±10%, 50 or 60 Hz±5%									Three-phase (3 wires), 380 to 415 or 400 to 460 V±10%, 50 or 60 Hz±5%														
Rated output voltage (V) (NOTE 2)		Three-phase, 200 to 230 V (Corresponding to the input voltage)									Three-phase, 380 to 460 V (Corresponding to the input voltage)														
Output frequency range (NOTE 3)		0.1 to 400 Hz																							
Frequency accuracy		Digital command ±0.01% and analog command ±0.1% for the maximum frequency command																							
Frequency setting resolution		Digital setting: 0.01 Hz/60 Hz, Analog setting: Maximum frequency/1000																							
Voltage/frequency characteristics		V/f variable, high start torque, standard starting torque (constant torque, reduced torque)																							
Acceleration/deceleration time		0.01 to 3000 seconds, acceleration and deceleration individually set																							
Starting torque (NOTE 4)		150% or more (1 Hz)																							
Braking torque	Dynamic braking (NOTE 5) Feedback to capacitor	About 20%	About 10 to 20%						About 20%	About 10 to 15%															
	Dynamic braking using external resistor or unit (BRD)	Braking resistor optional for 055 and 075L, use braking unit (BRD) for 220 to 550L.									Braking resistor optional for 055 and 075H, use braking unit (BRD) for 220 to 2200H.														
	DC injection braking	Operated at the DC braking frequency or by external input																							
Input signals	Frequency setting	Digital operator	Set by ▲ and ▼																						
		External signals	2 W 500 Ω to 2 kΩ potentiometer, 0 to 5 VDC (nominal), 0 to 10 VDC (nominal) (input impedance 30 kΩ), 4 to 20 mA (nominal) (input impedance 250 Ω)																						
	Forward/reverse run, stop	Digital operator	RUN/STOP (Only for forward run or reverse run, the function mode should be switched.)																						
		External signals	FW (forward run command)/stop																						
Intelligent input terminal		REV (reverse run command), FRS (free run stop command), CF1 to CF3 (multistage speed setting), USP (USP function), JG (jogging command), CH1 (2-stage acceleration and deceleration), DB (external DB command), RS(reset input), STN (initialization), SFT (software lock), AT (current input selection), CS (commercial power source switching), SET (2nd setting selection), EXT (external trip), UP (remote control, acceleration), DOWN (remote control, deceleration)																							
Output signals	Intelligent output terminal	FA1 (speed arrival signal), RUN (signal during run), OTQ (overtorque signal)																							
	Frequency monitoring	Analog output frequency monitor (0 to 10 VDC full scale, 1mA max.), digital frequency signal by remote operator, analog current monitor, analog torque monitor																							

Item		Description																							
Input voltage		200 V class										400 V class													
Model Name (Type)		055 LF	075 LF	110 LF	150 LF	220 LF	300 LF	370 LF	450 LF	550 LF	055 HF	075 HF	110 HF	150 HF	220 HF	300 HF	370 HF	450 HF	550 HF	750 HF	900 HF	1100 HF	1320 HF	1600 HF	2200 HF
Fault alarm contact (AL0-AL1)		OFF when an inverter alarm occurs																							
Other characteristics		AVR function, data batch setting, V/F characteristic switching, curve acceleration and deceleration, upper and lower limiters, 8-stage speed, start frequency fine adjustment, trip history monitor (up to three times stored), fuzzeleration and deceleration, autotuning, etc.																							
Protection functions		Overcurrent, overvoltage, undervoltage, electronic thermal, abnormal temperature, grounding current, overload restriction, etc.																							
General specifications	Vibrations (NOTE 6)	5.9 m/S <sup>2</sup> (0.6G) 10 - 55 Hz for 0550 to 075L /H 2.0 m/S <sup>2</sup> (0.2G) 10 - 55 Hz for 220 to 550L and 220 to 1100H																							
	Operation location	Altitude of 1000 m or less, indoors (free of corrosive gas and dust)																							
	Paint color	Regel gray No. 1 (Munsell 9.1Y 7.4/0.6 semigloss, cooling fan of aluminum ground color)																							
Options		Remote operator, copy unit, cable for digital operator, braking resistor, reactor for improving power factor, noise filter for inverter, fitting for conduit tube connection, fitting for removing cooling fins																							
Estimated mass (kg)		7.5	7.5	13	13	21	37	37	51	51	7.5	7.5	13	13	21	36	36	46	46	70	70	80	130	130	130

**NOTE 1:** Protective structure is based upon JEM1030-1977.

**NOTE 2:** The output voltage will decrease if input voltage decreases.

**NOTE 3:** Confirm with the motor manufacturer the motors maximum rpm when using a motor running at frequency higher than 50/60 Hz.

**NOTE 4:** When using the standard four-pole motor, select the high start torque (SLV) at the rated voltage (200 V class: 200, 220, 230 V; 400 V calss:400, 415, 440, 460 V).  
(For details, contact the dealer you purchased the product.)

**NOTE 5:** Torque will be reduced when the base frequency exceeds 50/60 Hz.  
The dynamic braking torque is about 70% for 055LF or about 60% for 075LF when one of the 200 V class RB1 to RB3 (17Ω or more) is used at the shorttime rating or about 60% for 055HF or about 50% for 075HF when the 400 V class RB2 × 2 series (70 Ω or more) is used.

**NOTE 6:** According to the test method shown is JIS C 0911 (1984).

**11.2 Individual Specification (USA version (J300-LFU, HFU))**

Item		Description																																	
Input voltage		200 V class										400 V class																							
Model Name (Type)		055 LF	075 LF	110 LF	150 LF	220 LF	300 LF	370 LF	450 LF	550 LF	055 HF	075 HF	110 HF	150 HF	220 HF	300 HF	370 HF	450 HF	550 HF	750 HF	900 HF	1100 HF	1320 HF	1600 HF	2200 HF										
Applicable motor rating (4P, max. kW/HP) (NOTE 1)	Constant torque	5.5/7.5	7.5/10	11/15	15/20	22/30	30/40	37/50	45/60	55/75	5.5/7.5	7.5/10	11/15	15/20	22/30	30/40	37/50	45/60	55/75	75/100	7.5/10	11/15	15/20	22/30	30/40	37/50	45/60	55/75	75/100	90/120	110/150	132/200	160/250	220/300	
	Variable torque (NOTE 2)	7.5/10	11/15	15/20	22/30	30/40	37/50	45/60	55/75	75/100	7.5/10	11/15	15/20	22/30	30/40	37/50	45/60	55/75	75/100	90/120	110/150	132/200	160/250	220/300	260/350										
Continuous output (kVA)	Constant torque	200 V	8.3	11	16	22	33	42	50	63	76																								
		230 V	10	13	18	25	38	48	58	73	88																								
		380 V											8.6	10.5	15	21	32	38	49	59	72	89	103	137	158	207	250								
		400 V											9.0	11	16	22	33	40	52	62	76	94	108	144	166	218	263								
		460 V											10.4	12.7	18	25	38	46	60	72	88	108	124	166	191	251	303								
	Variable torque	200 V	9	12	18	25	37	47	56	71	86																								
		230 V	11	14	21	29	43	54	65	82	99																								
		380 V											9.6	11.8	17	24	36	43	55	66	82	103	118	158	199	250	286								
		400 V											10.1	12.5	18	25	37	45	58	70	86	108	118	166	209	263	301								
		460 V											11.6	14.3	21	29	43	52	67	80	99	124	143	191	241	303	347								
Rated output current (A)	Constant torque	24	32	46	64	95	121	145	182	220	13	16	23	32	48	58	75	90	110	135	156	208	240	315	380										
	Variable torque (NOTE 3)	27	36	52	72	107	136	163	205	248	14.6	18	26	36	54	65	84	101	124	156	180	240	302	380	435										
Carrier frequency (Hz)	Constant torque	16			12	10	6	16			12	10	6	3			2																		
	Variable torque (NOTE 3)	16			12	10	6	16			12	10	6	2			2																		
Overload current capacity	Constant torque	150%, for 1 minute																																	
	Variable torque (NOTE 3)	125%, for 1 minute																																	
General specifications	Ambient temperature	CT (NOTE 4)	-10 to 50 degree C																																
		VT (NOTE 5)	-10 to 40 degree C																																
	Humidity	20 to 90% RH																																	

**NOTE 1:** The applicable motor is a Hitachi standard four-pole motor. When using another motor, make sure that the rated motor current does not exceed the rated inverter current.

**NOTE 2:** Applicable motor rating at variable torque is valid with the condition that output current does not exceed the rating at variable torque.

**NOTE 3:** When a V/F pattern (VP1, VP2, or VP3) for variable torque is selected (  for the digital operator or F04 for the remote operator), the setting data are automatically changed by the inverter.

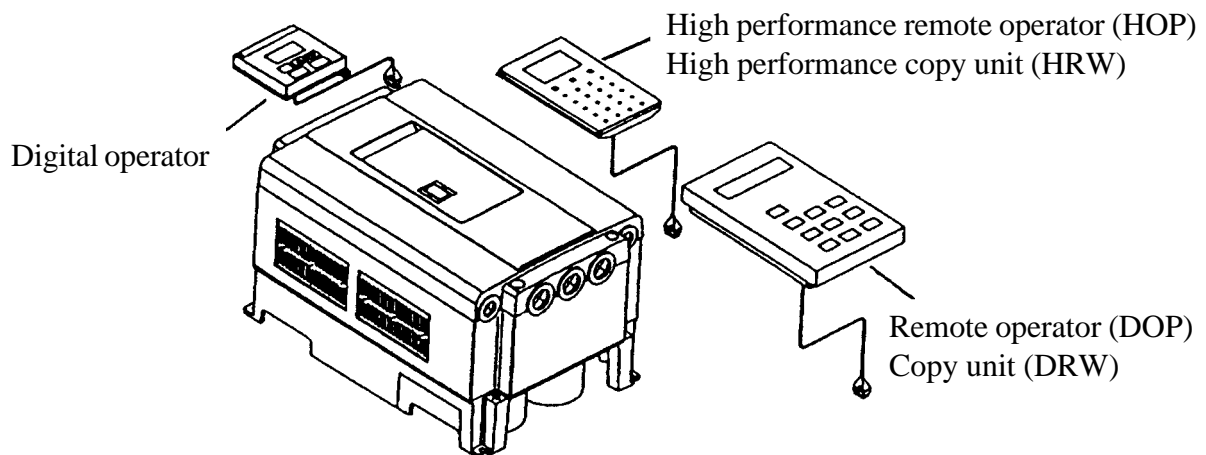
**NOTE 4:** CT: Constant torque.

**NOTE 5:** VT: Variable torque.

## 12. FUNCTIONS WHEN USING THE OPTIONAL REMOTE OPERATOR

### 12.1 Connecting the remote operator

Be sure to turn the power supply off when connecting the connector.



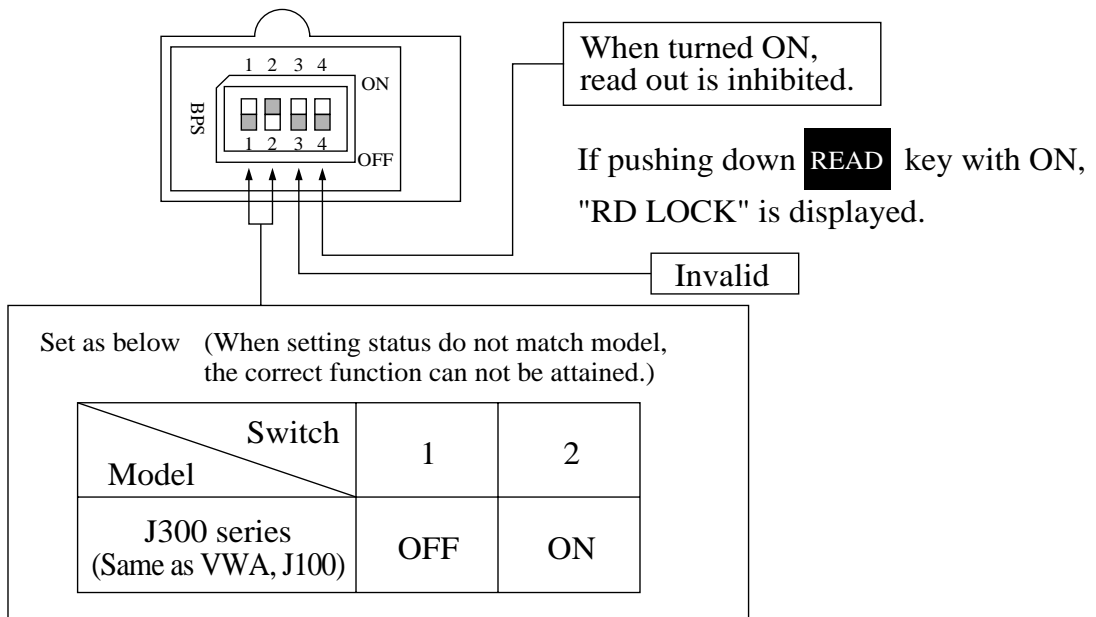
- (1) Insert the connector straight into the remote operator and inverter unit printed-circuit board.
- (2) Turn on the power supply.
- (3) Make sure that the liquid crystal display of the remote operator is lit.

When the power supply of the inverter is turned on, `FS000.0.....` of the monitoring mode will be displayed. If, however, any of the following is displayed when the inverter is turned off, they will be displayed when power is turned on again.

- Frequency setting, multi-speed setting or other frequency displays, motor rotational speed display, frequency conversion display, or output current display.

**NOTE:** When conflicting data is set, a warning `WARN.....` will be displayed. For 6 seconds thereafter, do not perform the key operation, reset operation, running operation, power-OFF operation. (Otherwise, a communication error may occur in the operator.)

**NOTE:** See the operation manual of the remote operator for instructions.  
 In addition, see the following pages for details on its various functions. Set the dip-switches mounted on the backside of the remote operator and copy unit as below.

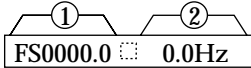
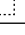
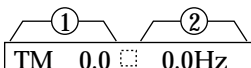
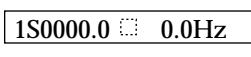
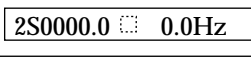
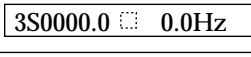
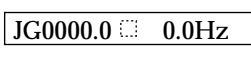
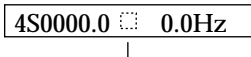
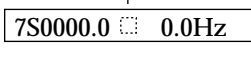
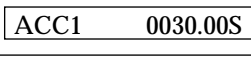
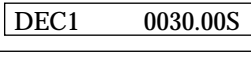



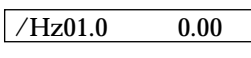
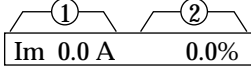
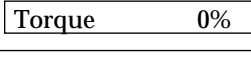
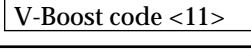


## 12.2 Monitor mode

Monitor mode list when the remote operator (DOP) and copy unit (DRW) are used

- Monitor mode initial values and display contents  
Initial display contents, initialization, and change ranges are displayed in the table indicated below.

Y : Setting can be changed during operation  
N : Setting can not be changed during operation  
— : Display only

Display sequence	Monitor name	Display content	Initial value	Setting range	Setting and change are possible?	Remarks	
1	Frequency setting and output frequency		0.0 Hz	0 to 120 (400)	Y	(1) displays the setting. (2) displays the output. •  is displayed when run instruction is ON.  F: Forward run R: Reverse run	
	Multistage-speed setting and output frequency		0.0 Hz				
			0.0 Hz				
							
							
Jogging frequency setting		1.0 Hz	0 to 9.9	Y	A trip occurs easily at 5 Hz or more.		
Expansion multistage speed		0.0 Hz	0 to 120 (400)	Y	<ul style="list-style-type: none"> <li>• Valid when the multistage speed terminal 3 is selected.</li> <li>• The multistage speed are displayed when the input terminal is connected.</li> <li>• For terminal setting, refer to F-34 "Input terminal setting".</li> </ul>		
							
2	Acceleration time setting		30.0S	0.01 to 3000.00	Y		
3	Deceleration time setting		30.0S	0.01 to 3000.00	Y		
4	Frequency setting command		TRM	TRM/REM OP1/OP2	N	REM: Setting from the remote operator TRM: Setting from the inverter terminal	
5	Operation command		TRM	TRM/REM OP1/OP2	N		
6	Motor pole count setting and revolution speed monitor		4P	2 to 48	Y	Synchronized speed display	
7	Frequency converted value setting and converted value monitor		1.0	0 to 99.9	Y	The arithmetic value by the frequency converted value is displayed. (NOTE 1)	
8	Current monitor		—	—	—	The (1) section depends on the INV rated current. The (2) section displays the rate to the rated output current.	
9	Torque monitor		—	—	—		
10	Manual torque boost adjustment		11	0 to 99	Y		

**NOTE 1:** The terminal output when the digital output frequency monitor is set at the FM terminal of the control circuit is the "output frequency × frequency converted value". The upper limit of output is 3.6 kHz.

Display sequence	Monitor name	Display content	Initial value	Setting range	Setting and change are possible?	Remarks
11	Manual torque boost frequency adjustment	V-Boost F 10.0%	10.0%	0 to 50.0	Y	
12	Output voltage gain adjustment	V-Gain 100%	100%	20 to 100	Y	
13	Jogging frequency adjustment	Jogging 1.00 Hz	1.0 Hz	0 to 9.99	Y	A trip occurs easily at 5 Hz or more.
14	Analog meter adjustment	ADJ 172	172	0 to 250	Y	
15	Terminal input status monitor	TERM LLLLLLLL Terminal•• <sup>FW 7 5 3 1</sup> <sub>8 6 4 2</sub>	—	When the terminal is ON: H When the terminal is OFF: L	—	

Display sequence	Monitor name	Display content	Trip cause, contents	Remarks
16	Warning monitor	WARN #	Normal state	When the equipment is normal, # is displayed. When a value which is larger than the upper or smaller than the lower limit is set, a warning is displayed.
		WARN F1w>Fs	Frequency setting error	
17	Alarm display	ERR1 #		Not occurred
	Trip monitor	ERR1 OVER. V	<Trip cause 1> Trip cause	The message is displayed on a priority basis when an alarm occurs. Trip cause Overvoltage trip
		ERR1 31.0 Hz	Output frequency when tripped	
		ERR1 12.5 A	Output current when tripped	
		ERR1 787.0 Vdc	Voltage between P and N when tripped	
ERR1 RUN 0Y 10D	Cumulative years and months when tripped			
18	Total alarm count	ERROR COUNT 0		Not occurred
		ERROR COUNT 25	Total trip count	
19	Trip history monitor	ERR2 #		Not occurred
	Last trip contents	ERR2 OC.Accel	<Trip cause 2> Trip cause	Trip cause Overcurrent trip for acceleration
		ERR2 5.0 Hz	Output frequency when tripped	
		ERR2 20.1 A	Output current when tripped	
		ERR2 580.0 Vdc	Voltage between P and N when tripped	
		ERR2 RUN 0Y 7D	Cumulative years and months when tripped	
	Contents of last trip but one	ERR3 #		Not occurred
		ERR3 EXTERNAL	<Trip cause 3> Trip cause	Trip cause External trip
		ERR3 0.0 Hz	Output frequency when tripped	
		ERR3 0.0 A	Output current when tripped	
ERR3 560.0 Vdc		Voltage between P and N when tripped		
ERR3 RUN 0Y 1D		Cumulative years and months when tripped		

## 12.3 Function mode

Function mode list when the remote operator is used

- Function mode initial values and display contents  
Initial display contents, initialization, and change ranges are displayed in the table indicated below.

Display sequence	(Function mode 1)		(Function mode 2)		Initialization	Setting, change contents	Setting contents
	Function No.	Function name	Initialization display contents				
1	F-00	Base frequency setting	F-BASE	0060 Hz	60 Hz	30 to 120 (400)	• When 120 Hz is switched to 400 Hz by F-30, a frequency more than 120 Hz can be set.
2	F-01	Maximum frequency setting	F-MAX	0060 Hz	60 Hz	30 to 120 (400)	
3	F-02	Start frequency adjustment	Fmin	0.50 Hz	0.5 Hz	0.1 to 9.9	• The equipment starts running at this set value.
4	F-03 Input voltage	Motor input voltage setting	AVR AC	460 V	230/460	200,215,220,230 /380,400,415 440,460,480	• The motor input voltage is set.
		AVR function for deceleration	AVRDEC	OFF	OFF	ON/OFF	• ON or OFF of the AVR function for deceleration is set. When dynamic braking torque is necessary for deceleration, OFF is set.
5	F-04	Control method setting	CONTROL	VC	VC	VC, VP1, VP2, VP3, SLV, V2	• VC, VP1, VP2, VP3: V/F characteristics SLV:Sensorless vector control V2:Sensor vector control
6	F-05 constant (NOTE 1)	Autotuning Motor	AUX AUTO setting	NOR	NOR	NOR/AUT/NRT	• At the first running after AUT/NRT is set, the autotuning measurement operation is executed.
		Motor data selection	AUX DATA	NOR	NOR	NOR: Old Hitachi general purpose TMO: New Hitachi general purpose AUT: Auto-tuning data	• The autotuning motor data before starting autotuning measurement is data equivalent to NOR.
		Motor capacity	AUX K setting	005.50 kW	Ratedcapacity ofeachinverter	3.7 to 160	• Set a capacity smaller than the rated capacity as capacity data.
		Motor pole count setting	AUX P	4p	4p	2, 4, 6, 8	• The number of poles of the motor to be used is set.
		Motor constant R1 setting	AUX R1	1.004	Ratedcapacity ofeachinverter	0 to 65.535	
		Motor constant R2 setting	AUX R2	0.776	Ratedcapacity ofeachinverter	0 to 65.535	
		Motor constant L setting	AUX L	13.16 mH	Ratedcapacity ofeachinverter	0 to 655.35	

**NOTE 1:** The motor constants R1, R2, L, M, J, Kp, Ti, and KPP vary with the capacity.



Display sequence	(Function mode 1)		(Function mode 2)		Initialization	Setting, change contents	Setting contents
	Function No.	Function name	Initialization display contents				
6	F-05 Motor constant	Motor M setting constant	AUX M	123.60 mH	Rated capacity of each inverter	0 to 655.35	<ul style="list-style-type: none"> <li>Primary self inductance per phase.</li> </ul>
		Motor J setting constant	AUX J	0.44 kgm <sup>2</sup>	Rated capacity of each inverter	0 to 655.35	<ul style="list-style-type: none"> <li>Motor and machine inertia</li> </ul>
		Motor constant Kp setting	AUX Kp	002.00	2.0	0 to 100.00	<ul style="list-style-type: none"> <li>Smaller: High response</li> <li>Larger: Low response</li> </ul>
		Motor constant Ti setting	AUX Ti	00100 ms	100 ms	0 to 10000	<ul style="list-style-type: none"> <li>Set this item after the feedback option PCB is installed.</li> </ul>
		Motor constant KPP setting	AUX KPP	001.00	1.0	0 to 100.00	<ul style="list-style-type: none"> <li>Set this item after the feedback option PCB is installed.</li> </ul>
7	F-06 Acceleration time	Acceleration time setting	ACC 1	0030.00 s	30.00 s	0.01 to 3000	<ul style="list-style-type: none"> <li>When the fuzzy most suitable acceleration and deceleration (F-10) are set, the time displayed here is invalid, though it can be set.</li> </ul>
		2-stage acceleration time setting	ACC 2	0015.00 s	15.00 s	0.01 to 3000	<ul style="list-style-type: none"> <li>The acceleration time can be used when the input terminal CH1 is shorted.</li> <li>For input terminal selection, refer to F-34 input terminal.</li> </ul>
		Curve pattern selection for acceleration	ACC LINE	L	L	L (Linear), S (S curve), U (U curve), RU (reverse U curve)	<ul style="list-style-type: none"> <li>The curve pattern is set for acceleration and deceleration respectively.</li> </ul>
		Acceleration and deceleration curve constant selection	ACC GAIN	02	2 (common to acceleration and deceleration)	1 to 10	<ul style="list-style-type: none"> <li>When the constant is set for one of acceleration and deceleration, it is common to both acceleration and deceleration.</li> <li>See appendix 4.</li> </ul>
8	F-07 Deceleration time	Deceleration time setting	DEC 1	0030.00 s	30.00 s	0.01 to 3000S	<ul style="list-style-type: none"> <li>When the fuzzy most suitable acceleration and deceleration (F-10) are set, the time displayed here is invalid, though it can be set.</li> </ul>
		2-stage deceleration time setting	DEC 2	0015.00 s	15.00 s	0.01 to 3000S	<ul style="list-style-type: none"> <li>The deceleration time can be used when the input terminal CH1 is shorted.</li> <li>For input terminal selection, refer to F-34 input terminal.</li> </ul>
		Curve pattern selection for deceleration	DEC LINE	L	L	L (Linear), S (S curve), U (U curve), RU (reverse U curve)	<ul style="list-style-type: none"> <li>The curve pattern is set for acceleration and deceleration respectively.</li> </ul>
		Acceleration and deceleration curve constant selection	DEC GAIN	02	2 (common to acceleration and deceleration)	1 to 10	<ul style="list-style-type: none"> <li>When the constant is set for one of acceleration and deceleration, it is common to both acceleration and deceleration.</li> <li>See appendix 4.</li> </ul>

Display sequence	(Function mode 1)		(Function mode 2)		Initialization	Setting, change contents	Setting contents
	Function No.	Function name	Initialization display contents				
9	F-08 Acceleration halt	Acceleration stop frequency setting	Fsp F	0000.0 Hz	0 Hz	0 to 400.0	• The frequency at which the acceleration operation is stopped temporarily is set.
		Acceleration stop time setting	Fsp TIME	00.0 s	0 s	0 to 60.0	• The time that the acceleration is stopped temporarily at a certain frequency during acceleration is set.
10	F-09	Pattern commanding method selection	PARAM	REM	REM	REM/ OP1/OP2 (Option connected)	• The parameter setting commanding source is selected. REM (each operator), OP1 (option 1), OP2 (option 2)
11	F-10 Running mode						
		Running mode selection	RUN MODE	NOR	NOR	NOR/OEN/ GOD	NOR: Normal running OEN: Energy conservation running GOD: Fuzzy most suitable acceleration and deceleration running
		Restarting after FRS signal selection	RUN FRS	ZST	ZST	fST/ZST	fST: Restart after frequency machining ZST: 0 Hz start
12	F-11 Multistage speed	Multistage speed 1 speed setting	SPD 1	0000.00 Hz	0 Hz	0 to 120.0 (400)	• The input terminal CF1 is set and used.
		Multistage speed 2-speed setting	SPD 2	0000.00 Hz	0 Hz	0 to 120.0 (400)	• The input terminal CF2 is set and used.
		Multistage speed 3-speed setting	SPD 3	0000.00 Hz	0 Hz	0 to 120.0 (400)	• The input terminals CF1 and CF2 are set and used.
		Multistage speed 4-speed setting	SPD 4	0000.00 Hz	0 Hz	0 to 120.0 (400)	• The input terminals CF1 and CF3 are set and used.
		Multistage speed 5-speed setting	SPD 5	0000.00 Hz	0 Hz	0 to 120.0 (400)	• The input terminals CF2 and CF3 are set and used.
		Multistage speed 6-speed setting	SPD 6	0000.00 Hz	0 Hz	0 to 120.0 (400)	• The input terminals CF1, CF2, and CF3 are set and used.
		Multistage speed 7-speed setting	SPD 7	0000.00 Hz	0 Hz	0 to 120.0 (400)	• The input terminal CF3 is set and used.

Display sequence	(Function mode 1)		(Function mode 2)		Initialization	Setting, change contents	Setting contents
	Function No.	Function name	Initialization display contents				
13	F-20 DC injection braking	DC braking selection	DCB SW	OFF	OFF	ON/OFF	• DC braking ON: DC braking available OFF: DC braking unavailable
		DC braking type selection	DCB KIND	LVL	LVL	LVL/EDG	• DC braking method selection LVL: Level operation EDG: Edge operation
		DC braking frequency selection	DCB F	0000.5 Hz	0.5 Hz	0 to 400.0 Hz	• The frequency at which the DC braking starts is set.
		DC braking force selection (at start)	DCB V-STA	00	0	0 to 20	• The DC braking force at start is set.
		DC braking force selection (at stop)	DCB V-STP	00	0	0 to 20	• The DC braking force at stop is set.
		DC braking time selection (at start)	DCB T-STA	000.0 s	0 s	0 to 600.0	• The DC braking time at start is set.
		DC braking time selection (at stop)	DCB T-STP	000.0 s	0 s	0 to 600.0	• The DC braking time at stop is set.
		DC braking output cut-off time	DCB STOP-T adjustment	0.00 s	0 s	0 to 5.00	The output frequency is lowered to the DC braking frequency and the free run time during execution of DC braking is set.
14	F-21	Dynamic braking setting	BRD-%ED	001.5%	1.5%	0 to 100.0	• The allowable usage ratio of the braking resistor for 100 seconds is set. (NOTE 1)
15	F-22 The allowable usage ratio of the braking resistor for 100 seconds is set.	Allowable instantaneous powerfailure time setting	IPS TIME	1.0 s	1.0 s	0.3 to 25 s	• When an instantaneous power failure occurs, the allowable time until the power failure is recovered is set.
		Reclosing standby after instantaneous powerfailure recovered	IPS WAIT	001.0 s	1.0 s	0.3 to 100.0 s	• The waiting time until the rerunning starts after an instantaneous power failure occurs and is recovered is set.
		Instantaneous powerfailure restart selection	IPS POWR	ALM	ALM	ALM/FTP/RST/ZST	ALM: Alarm output ZST: 0 Hz start retry FTP: Retry after frequency matching is stopped RST: Rerunning start retry
		Trip selection during stop at under voltage	IPS TRIP	OFF	OFF	ON/OFF	When an instantaneous power failure occurs: ON: Trip OFF: Non-trip
16	F-23 Electronic thermal	Electronic thermal characteristic selection	E-THM CHAR	SUB	SUB	CRT/SUB/FRE	• Electronic thermal characteristic setting CRT: Constant torque characteristic SUB: Reduced torque characteristic FRE: Free characteristic
		Electronic thermal level setting	E-THM LEVEL	100%	100%	20 to 120%	

**NOTE 1:** Initial setting of usage ratio 1.5% — 055-075L/HF 0% — 110-550L/HF

Display sequence	(Function mode 1)		(Function mode 2)		Initialization	Setting, change contents	Setting contents
	Function No.	Function name	Initialization display contents				
16	F-23 Electronic thermal (NOTE 2)	Electronic thermal characteristic free setting current (1)	E-THM A1	8.5A	Rated capacity of each inverter	0 to 600.0 A	
		Electronic thermal characteristic free setting frequency(1)	E-THM F1	0000 Hz	Rated capacity of each inverter	0 to 400 Hz	
		Electronic thermal characteristic free setting current (2)	E-THM A2	8.5A	Rated capacity of each inverter	0 to 600.0 A	
		Electronic thermal characteristic free setting frequency(2)	E-THM F2	5 Hz	Rated capacity of each inverter	0 to 400 Hz	
		Electronic thermal characteristic free setting current (3)	E-THM A3	13.0 A	Rated capacity of each inverter	0 to 600.0 A	
		Electronic thermal characteristic free setting frequency(3)	E-THM F3	73 Hz	Rated capacity of each inverter	0 to 400 Hz	
17	F-24 Overload restriction	Overload restriction level setting	OLOAD LEVEL	125%	125%	50 to 150%	Under the sensorless vector control, an overload is detected from both the overload restriction and torque limiter.
		Overload restriction constant setting	OLOAD CONST	01.0	1.0	0.3 to 31.0	When the setting is 31.0 in SLV or V2 control mode, the overload restriction has no effect.
		Valid selection for overload restriction acceleration	OLOAD ACC	ON	ON	ON: Valid for acceleration Keep the function ON for operation.	Even if the function is set to OFF, the overload restriction is invalid only for the first acceleration when the forward and reverse run command is turned on.
18	F-25	Software lock selection	S-LOCK	MD1	MD1	MD0/MD1 MD2/MD3	MD0, MD1: Terminal software lock (SFT) MD2, MD3: Software lock (NOTE 1)

**NOTE 1:** When MD0 is set and the input terminal SFT is turned ON, the data of all functions is locked. When MD2 is set (stored), the data of all the functions is locked. During locking, no data can be changed. MD1, MD3 can set only the output frequency.

**NOTE 2:** Electronic thermal characteristic free setting current and frequency depends on the inverter rating.

Display sequence	(Function mode 1)		(Function mode 2)		Initialization	Setting, change contents	Setting contents
	Function No.	Function name	Initialization display contents				
19	F-26 Frequency limiter	Frequency lower limiter setting	LIMIT L	0000.0 Hz	0 Hz	0 to 120.0 (400) Hz	The lower limit of the frequency to be set is set. When the lower limit is 0, the setting is invalid.
		Frequency upper limiter setting	LIMIT H	0000.0 Hz	0 Hz	0 to 120.0 (400) Hz	The upper limit of the frequency to be set is set. When the upper limit is 0, the setting is invalid.
20	F-27 Jump frequency	Jump frequency setting (1)	JUMP F1	0000.0 Hz	0 Hz	0 to 400 Hz	<ul style="list-style-type: none"> <li>The section where frequencies are to be jumped is set.</li> <li>Up to three locations can be set.</li> <li>When the number of locations is 0, the setting is invalid.</li> </ul>
		Jump frequency setting (2)	JUMP F2	0000.0 Hz	0 Hz	0 to 400 Hz	
		Jump frequency setting (3)	JUMP F3	0000.0 Hz	0 Hz	0 to 400 Hz	
		Jump frequency width setting	JUMP W	0.5 Hz	0.5 Hz	0 to 9.9 Hz	
21	F-28	STOP key validity selection during terminal running	STOP-SW	ON	ON	ON: STOP key valid OFF: STOP key invalid	Whether or not to make the STOP key valid during terminal running is selected. In the Remote mode, the STOP key is always valid.
22	F-29	Running direction selection	F/R SW	FRE	FRE	FWD/REV/ FRE	FWD: Only forward run REV: Only reverse run FRE: Both forward run and reverse run valid
		Reverse run prevention selection	F/R PREV	OFF	OFF	ON/OFF	Reverse run prevention ON: OFF:
		Reduced voltage soft start setting	F/R RVS	6	6	0 to 6	
23	F-30	Maximum frequency selection	F-MAX-L	120 Hz	120 Hz	120/400 Hz	Maximum frequency switching: 120: 120 Hz 400: 400 Hz
24	F-31 External analog frequency command	Analog input voltage selection	IN ANA	10 V	10 V	10/5	Input voltage maximum level 10: Max. 10 V 5: Max. 5 V
		External frequency start setting	IN EXS	0000.0 Hz	0 Hz	0 to 120.0 (400)	Frequency at which the external input starts
		External frequency end setting	IN EXE	0000.0 Hz	0 Hz	0 to 120.0 (400)	Frequency at which the external input is maximized
		External frequency start setting rate	IN EX%S	000%	0%	0 to 100	Input start level
		External frequency end setting rate	IN EX%E	100%	100%	0 to 100	Input maximum level
		External command start point selection	IN LEVEL	0 Hz	0 Hz	0 Hz/ExS	EXS: Start at EX%S setting rate or less

Display sequence	(Function mode 1)		(Function mode 2)		Initialization	Setting, change contents	Setting contents
	Function No.	Function name	Initialization display contents				
		Frequency command sampling frequency setting	IN F-SAMP	8	8	1 to 8	
25	F-32 Frequency arrival output signal	Arrival signal output pattern selection	ARV PTN	CST	CST	CST/PAT/ANY	CST: Output at constant frequency arrival PAT: Output of more than set frequency ANY: Output of only set frequency
		Arrival frequency rate setting for acceleration	ARV ACC	0.0 Hz	0 Hz	0 to 400.0	
		Arrival frequency rate setting for deceleration	ARV DEC	0.0 Hz	0 Hz	0 to 400.0	
26	F-33 Over-torque signal (NOTE 1)	Overtorque signal rate setting (for power running)	OV-TRQ V	100%	100%	0 to 250	<ul style="list-style-type: none"> <li>• During control of SLV and V2: Power running overtorque level</li> <li>• During control of VC and VP1 to VP3: Warning level for power running regenerative overload</li> <li>• When 0 is set: Any signal is not output.</li> </ul>
		Overtorque signal rate setting (for regeneration)	OV-TRQ R	100%	100%	0 to 250	<ul style="list-style-type: none"> <li>• During control of SLV and V2: Regenerative overtorque level</li> <li>• During control of VC and VP1 to VP3: No effect</li> <li>• When 0 is set: Any signal is not output.</li> </ul>
27	F-34 Intelligent terminal input terminal setting	Input terminal 1 setting	IN-TM 1	RS	RS reset terminal	RS and 17 other terminals	
		Input terminal 2 setting	IN-TM 2	AT	AT current input selection terminal	AT and 17 other terminals	
		Input terminal 3 setting	IN-TM 3	JG	JG jogging terminal	JG and 17 other terminals	
		Input terminal 4 setting	IN-TM 4	FRS	FRS free run terminal	FRS and 17 other terminals	
		Input terminal 5 setting	IN-TM 5	CH1	CH1 2-stage acceleration and deceleration terminal	CH1 and 17 other terminals	

**NOTE 1:** When setting 20% or less, the error will increase ( $\pm 20\%$  or more). Therefore, set 20% or more.

Display sequence	(Function mode 1)		(Function mode 2)		Initialization	Setting, change contents	Setting contents
	Function No.	Function name	Initialization display contents				
27	F-34 Intelligent terminal input terminal setting	Input terminal 6 setting	IN-TM 6	USP	USP Power-ON restart preventionl	USP and 17 other terminals	
		Input terminal 7 setting	IN-TM 7	CF1	CF1 Multi-stage input terminal	CF1 and 17 other terminals	
		Input terminal 8 setting	IN-TM 8	REV	REV reverse run command input terminal	REV and 17 other terminals	
		Input terminal 1 NO/NC setting	IN-TMO/C-1	NO	NO	NO/NC	<ul style="list-style-type: none"> <li>Input terminal setting</li> <li>NO: ON when short-circuited</li> <li>NC: ON when opened</li> </ul>
		Input terminal 2 NO/NC setting	IN-TM O/C-2	NO	NO	NO/NC	<ul style="list-style-type: none"> <li>Input terminal setting</li> <li>NO: ON when short-circuited</li> <li>NC: ON when opened</li> </ul>
		Input terminal 3 NO/NC setting	IN-TM O/C-3	NO	NO	NO/NC	<ul style="list-style-type: none"> <li>Input terminal setting</li> <li>NO: ON when short-circuited</li> <li>NC: ON when opened</li> </ul>
		Input terminal 4 NO/NC setting	IN-TM O/C-4	NO	NO	NO/NC	<ul style="list-style-type: none"> <li>Input terminal setting</li> <li>NO: ON when short-circuited</li> <li>NC: ON when opened</li> </ul>
28	F-35 Intelligent terminal output terminal setting	Output terminal 11 setting	OUT-TM 1	FA1	FA1	FA1/RUN/OTQ	Output terminal setting FA1: Frequency arrival signal RUN: Signal during run OTQ: Overtorque signal
		Output terminal 12 setting	OUT-TM 2	RUN	RUN	FA1/RUN/OTQ	Output terminal setting FA1: Frequency arrival signal RUN: Signal during run OTQ: Overtorque signal
		Alarm output NO/NC setting	OUT-TM O/C-A	NC	NC	NC/NO	<ul style="list-style-type: none"> <li>Alarm output terminal contacts a and b setting</li> <li>NC: b contact</li> <li>NO: a contact</li> </ul>
		Output terminal 11 NO/NC setting	OUT-TM terminal	O/C-1 NO	NO	NO/NC	<ul style="list-style-type: none"> <li>Output terminal 11 contacts a and b setting</li> <li>NO: b contact</li> <li>NC: a contact</li> </ul> Refer to [C 21]
		Output terminal 12 NO/NC	OUT-TM O/C-2	NO	NO	NO/NC	<ul style="list-style-type: none"> <li>Output terminal 12 contacts a and b setting</li> <li>Short-NO: a contact</li> <li>NC: b contact</li> </ul>
29	F-36	Carrier frequency setting	CARRIER	16.0 kHz	16.0 kHz	2.0 to 16.0 Hz Selectable in 0.1 steps	<ul style="list-style-type: none"> <li>The IPM carrier frequency is set.</li> <li>The setting value varies with the capacity.</li> </ul>

Display sequence	(Function mode 1)		(Function mode 2)		Initialization	Setting, change contents	Setting contents
	Function No.	Function name	Initialization display contents				
30	F-37	Monitor signal selection	MONITOR	A-F	A-F	A-F/A/T/D-F	<ul style="list-style-type: none"> <li>The FM terminal monitor signal output is selected.</li> <li>A-F: Analog frequency</li> <li>T: Torque monitor</li> <li>A: Current monitor</li> <li>D-F: Digital frequency</li> </ul>
31	F-38 Initiali- zation	Trip history count clear	INIT TCNT	CNT	CNT	CNT/CLR	<ul style="list-style-type: none"> <li>Trip count deletion selection</li> <li>CNT: Trip counting is continued.</li> <li>CLR: The trip count is cleared.</li> </ul>
		Debug mode display selection	INIT DEBG	OFF	OFF	ON/OFF	<ul style="list-style-type: none"> <li>Debug mode setting ON or OFF</li> <li>OFF: The debug mode is turned off.</li> <li>ON: The debug mode is turned on.</li> </ul>
		Digital operator rotation direction selection	INIT DOPE	FWD	FWD	FWD/REV	<ul style="list-style-type: none"> <li>The digital operator running direction is set.</li> <li>FWD: Forward run</li> <li>REV: Reverse run</li> </ul>
		Selection of reset performance	INIT RESET	ON	ON	ON/OFF	<ul style="list-style-type: none"> <li>ON: Alarm release when reset on</li> <li>OFF: Alarm release when reset off</li> </ul>
32	F-39 Option setting	Encode pulse number setting	OP P	01024 pulse	1024	255 to 65535	Effective with option board (J-FB)
		Control mode selection	OP MODE	ASR	ASR	ASR/APR	
		Ro-To option selection	OP RO-TO	OFF	OFF	OFF/ON	Keep OFF. (No use)
33	F-40 Orientation setting	Stop position setting switching	OR POS	IN	IN	IN/OUT	Effective with option board (J-FB)
		Stop position setting	OR P	00000 pulse	0	0 to 4095	
		Speedsetting	OR FC	0005.0 Hz	5.0 Hz	0 to 400 Hz	
		Direction setting	OR TURN	FWD	FWD	FWD/REV	
		Completion rangesetting	OR L	00005 pulse	5	0 to 10000	
		Completion delay time setting	OR TW	0.00 s	0	0 to 9.99	

NOTE 1 : Keep debug mode " OFF " , this is factory use only.



Display sequence	(Function mode 1)		(Function mode 2)		Initialization	Setting, change contents	Setting contents
	Function No.	Function name	Initialization display contents				
34	F-41 Electronic gear setting	Position setting switching	PO EGRP	FB	FB	FB/REF	Effective with option board (J-FB)
		Numerator of ratio	PO EGR-N	00001	1	1 to 9999	
		Denominator	PO EGR-D	00001	1	1 to 9999	
		Feed forward gain	PO FFWG	000.00	0	0 to 655.35	
		Position loop gain	PO G	000.50 rad/s	0.5 rad/s	0 to 100	
35	F-42 Torque limit setting (Note 1)	Torque limit setting switching	TRQ LIMIT	REM	REM	REM/OP1/OP2	REM: Each operator PO1: Option 1 PO2: Option 2
		Plus torque limit	TRQ FWD	150%	150%	20 to 150%	
		Minus torque limit	TRQ REV	150%	150%	20 to 150%	Regenerative mode
36	F-43 PIDcontrol setting	PID target value input method switching selection	PID IN-SEL	IN	IN	IN/OUT	
		PID target valuesetting	PID LVL	000.00%	0%	0 to 200%	
		P gain setting	PID P	1.0	1.0	0.1 to 5.0	
		I gain setting	PID I	01.0S	1.0	0 to 15.0	
		D gain setting	PID D	000.0	000.0	0 to 100	
		Selection	PID MODE	MD0	MD0	MD0 to 4	
37	F-46 Communication protocol setting	Transmission speed selection	COM BAU	00600 bps	600	300/600/1200/ 2400/4800/9600/ 19200	Effective with option board (J-CM)
		Station number selection	COM NUMBER	01	1	1 to 32	
		Transfer bit length selection	COM LENGTH	8	8	8/7	
		Parity ON / OFF selection	COM PAR-SEL1	ON	ON	ON/OFF	
		Parity even / odd selection	COM PAR-SEL2	EVN	EVN	EVN/ODD	
		Stop bit length selection	COM STOPBIT	2	2	2/1	

**NOTE 1:** Smaller levels of torque limit and overload restriction are given top priority and valid for any control method.

Display sequence	(Function mode 1)		(Function mode 2)		Initialization	Setting, change contents	Setting contents
	Function No.	Function name	Initialization display contents				
38	F-47 Option PCB error setting	Main body operation selection for option PCB error 1	OP-ERR1	STP	STP	STP/RUN	Effective with option board
		Main body operation selection for option PCB error 2	OP-ERR2	STP	STP	STP/RUN	
39	F-48 Selection of relay output	Setting for RYA terminal	RELAY RYA	RUN	RUN	CST/PAT /ANY/RUN /OTQ/NOR	Effective with option board (J-RY)  CST: Arrival signal (constant speed) PAT: Arrival signal (set frequency or more) ANY: Arrival signal (set frequency only) RUN: Running signal OTQ: Over torque signal at SLV, SLV2/Overload signal at V/F control NOR: No output
		Setting for RYB terminal	RELAY RYB	CST	CST		
		Setting for RYC terminal	RELAY RYC	OTQ	OTQ		

## 12.4 Protection function display list when the remote operator is used

There are protection functions for overcurrent, overvoltage, and undervoltage provided to protect the inverter. When one of the functions is performed, the output is cut off, and the motor is put into the free run state, and the status is kept until the inverter is forced to reset.

Name	Digital operator display	Remote operator(DOP) copy unit(DRW)display	
		ERR1 ***	
Overcurrent protection	Constant speed	E 01	OC.Drive
	Deceleration	E 02	OC.Decel
	Acceleration	E 03	OC.Accel
Overload protection		E 05	Over.L
Braking resistor overload		E 06	OL.BRD
Overvoltage protection		E 07	Over.V
EEPROM error		E 08	EEPROM
Undervoltage protection		E 09	Under.V
CT error		E 10	CT
CPU error		E 11	CPU
External trip		E 12	EXTERNAL
USP error		E 13	USP
Ground fault protection		E 14	GND.Flt

Name	Digital operator display	Remote operator(DOP) copy unit(DRW)display	
		ERR1 ***	
Input overvoltage		E 15	OV.SRC
Instantaneous power failure		E 16	Inst.P-F
Option connection error	Option 1	E 17	NG.OP1
	Option 2	E 18	NG.OP2
Option PCB error (NOTE 2)	Option 1	E 19	OP1
	Option 2	E 20	OP2
Phase failure protection error	(NOTE 1)	E 24	PH.Fail
Power module protection	Constant speed	E 31	PM.Drive
	Deceleration	E 32	PM.Decel
	Acceleration	E 33	PM.Accel
	Stop	E 34	PM.ERR
Undervoltage standby		- - U	UV.WAIT

For error contents, see page 8-1.

### Other displays

Display	Cause	Description
R-ERROR COMM<*>	Communication error *=1. Protocol error =2. Time-out error	This is displayed when an error occurs between the inverter and remote operator. When the STOP key or another key is pressed, the original display appears. When the original display does not appear, turn the power off and then on once again. Check whether any connectors are loose.
R-ERROR INV.RUN	During inverter running	If one of the displays on the left occurs when the copy unit is used to read or copy, take the corresponding countermeasure. • INV. RUN: Stop the running. • INV. TRIP: Press the STOP key to release the trip. • INV. TYPE: The inverter type of the copy source is different from that of the copy destination. Use the same type of inverter to read or copy.
R-ERROR INV.TRIP	Under inverter trip	
R-ERROR INV.TYPE	Inverter type mismatch	
R-ERROR RD LOCK	Inverter read lock	The fourth switch of the DIP switch on the back of the remote operator is ON. When reading data, turn the switch OFF.
RESTART ***.s	Instantaneous power failure restart function in operation	This indicates that the instantaneous power failure restart function is being performed. • RESTART: 0 start is in execution. • ADJUST: Frequency matching is in execution.
ADJUST ***.s		
UV WAIT	Undervoltage	The supply voltage is lowered to the undervoltage level. When this display appears, turn the power on once again.
POWER OFF	Power OFF	The undervoltage after the power is turned off is displayed.
Tuning OK	Autotuning function end display	This is displayed after the autotuning measurement is finished. • Tuning OK: The measurement terminates normally. • Tuning NG: The measurement fails.
Tuning NG		

**NOTE 1:** Power OFF during motor deceleration may cause an input phase failure error.

**NOTE 2:** When the J-FB is installed, an error is display for each factor as shown below.

	Digital operator display	DOP, DRW
Encoder line break:	E 60	OP1 0
Overspeed:	E 61	OP1 1
Positioning error:	E 62	OP1 2
Thermistor line break:	E 64	OP1 4
Motor overheat:	E 65	OP1 5
Malfunction or abnormality on built-in CPU of the option:	E 67	OP1 7

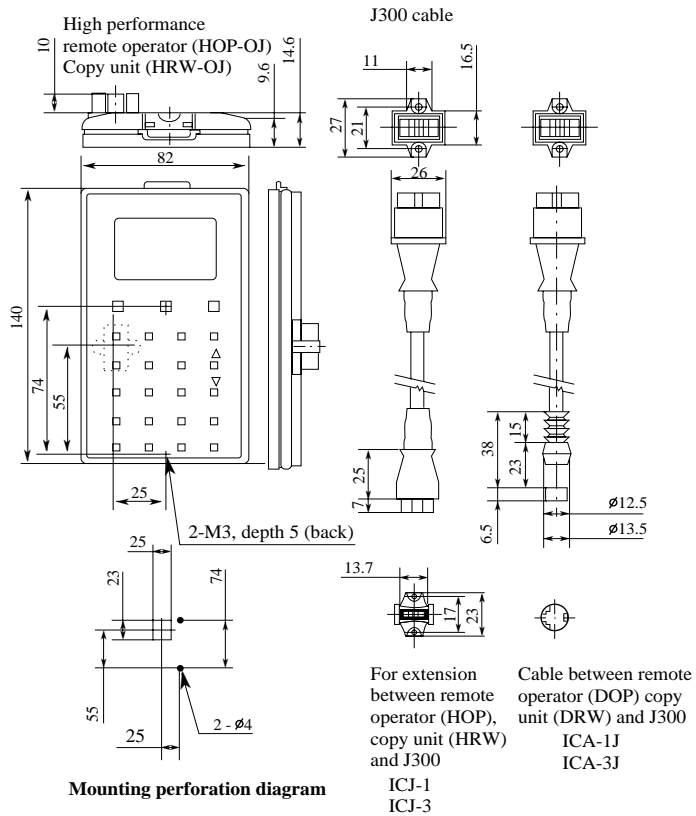
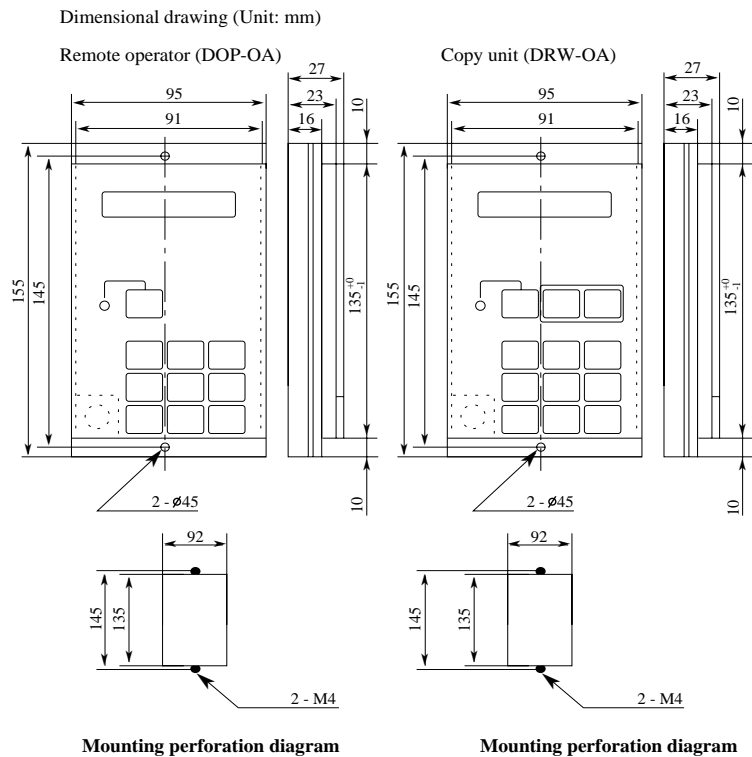
## 12.5 Warning Error List

The following warning errors are displayed on the warning monitor in the monitor mode. Check the set value. When an attempt is made to set a value larger than the set range, the set value may be rewritten as shown below.

	Warning error display	Forced rewriting	Description	Alarm output	Recovery method
1	Fmax > Fch	Fmax ← Fch	Fch: Frequency for maximum frequency switching (120, 400) Fmax : Maximum frequency Fmin: Start frequency Fb: Base frequency Fs: Set frequency Fm: Multistage speed setting frequency Flw: Lower limiter frequency Fup: Upper limiter frequency Fp: Jump frequency Fes: External set analog start frequency Fee: External set analog end frequency Fj: Jogging frequency	OFF	Change the frequency to the correct value. (Note that when the equipment is operated without the frequency being corrected, the set contents are automatically rewritten to the contents for "Forced Rewriting".
2	Fb > Fmax	Fb ← Fmax			
3	Fs > Fmax	Fs ← Fmax			
4	Fm > Fmax	Fm ← Fmax			
5	Flw > Fmax	Flw ← Fmax			
6	Fup > Fmax	Fup ← Fmax			
7	Fes > Fmax	Fes ← Fmax			
8	Fee > Fmax	Fee ← Fmax			
9	Fs > Fup	Fs ← Fup			
10	Fm > Fup	Fm ← Fup			
11	Fmin > Fup	Fmin ← Fup			
12	Flw > Fs	Flw → Fs			
13	Flw > Fm	Flw → Fm			
14	Fmin > Fs	Fmin → Fs			
15	Fmin > Fm	Fmin → Fm			
16	Fmin > Fj	Fmin → Fj			
17	Fmin > Flw	Fmin → Flw			
18	Fp > Fs	Fp        Fs			
19	Fp > Fj	Fp        Fj			
20	Fp > Fm	Fp        Fm			

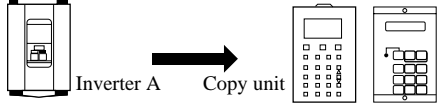
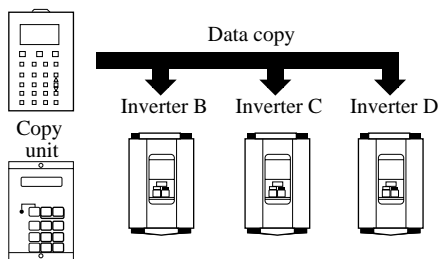
## 12.6 Dimensions

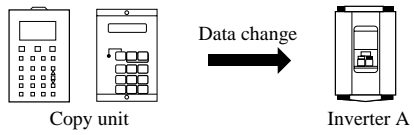
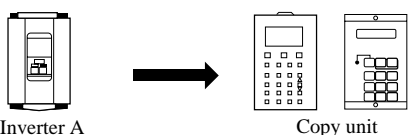
### Remote operator, copy unit



**NOTE 1:** The cables for the VWS3A and VWA series are different in cable shape from those for the J300. The cables for the J300 are the same as those for the J100. To change only cables, various cables are in stock.

## 12.7 Copy Unit Function

Operation example (Procedure to transfer the data of inverter A to B,C, and D inverters)			
Se-quence	Operation	Key	Operation result
1	Set data is read out from the inverter A (It is stored into the memory).	READ	
2	Turn off the power supply to inverter A and remove the cable.	---	---
3	Connect the cable to inverter B and turn on the power.	---	---
4	Copy data stored in the copy unit is written to inverter B.	COPY	
5	Cut off the power supply to inverter B. (* 1)	---	
6	Perform the above processes from 3 to 5 sequentially for inverters C and D. That is, the same process as at for inverter B.	---	

Operation example (Process to change and transfer to inverters B, C and D)			
1 the remote with copy	Connect the cable and press the remote key. Change the data of the inverter with copy unit.	MON FUN STR ▲ ▼	
2 to 6 inverter A	Read out the data from inverter A (It is stored into the memory area of the copy unit). The following procedures are the same those of the operation 1.	READ	

## **12.8 Data to be copied by the copy unit**

### **Precautions for copying**

The copy units, DRW and HRW cannot copy some of parameters. For the details, see Appendix 7. Do not carry out data copy and transfer between different version (ex. J300-E1 ←→J300-E4). Since settable range is different, data may not be transferred correctly or an error may be occurred.

## 13. SERVICE

When inquiring about inverter trouble, please be ready to inform the distributor where you purchased your unit or the nearest service station the following .

- (1) Type
- (2) Purchased date
- (3) Production No. (MFG. No.)
- (4) Malfunction symptoms

If the contents are unclear due to an old nameplate, give only the clear items. To reduce the non-operation time, it is recommended to stock a spare inverter.

### Warranty

The warranty period under normal installation and handling conditions shall be one (1) year after the date of delivery. The warranty shall cover the repair of only the inverter to be delivered.

1. Service in the following cases, even within the warranty period, shall be charged to the purchaser.
  - (a) Malfunction or damage caused by misoperation or remodelling or improper repair
  - (b) Malfunction or damage caused by a drop after purchase and transportation
  - (c) Malfunction or damage caused by fire, earthquake, flood, thunderbolt, or other natural calamities, pollution or abnormal voltage.
2. When service is required for the product at your worksite, all expenses associated with field repair shall be charged to the purchaser.
3. Always keep it handy. Please do not lose it. We are sorry but this manual cannot re-issued.



# Appendix 1 Manual for New Functions

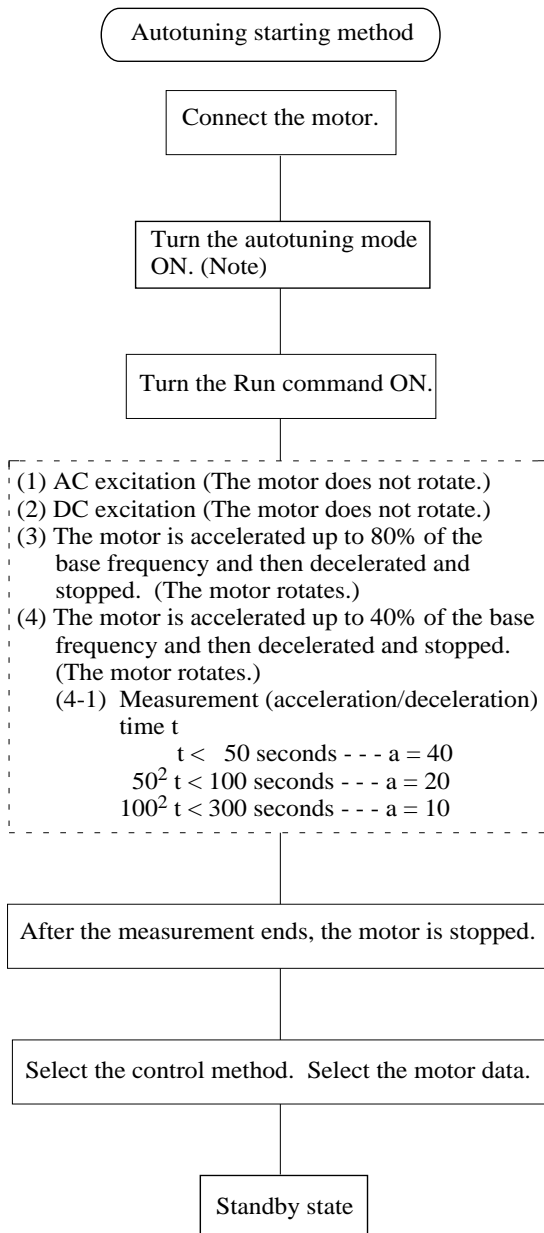
## 1. Autotuning

### [Outline of the function]

This is a function for automatically setting the motor circuit constant necessary for the sensorless vector.

When the autotuning function is performed by a motor which is designed according to JIS C 4210 and then the sensorless vector is controlled, even a motor (Hitachi general purpose motor) whose constant is unknown at an output frequency of 1 Hz can generate a torque of 150%.

An Hitachi general purpose motor is given a constant which is a default value. Therefore, in every case, the characteristics will be obtained without trouble. When the characteristics cannot be obtained, measure the motor circuit constant by the autotuning function.



- (1) Before executing the autotuning function, make sure the following set values.
    - 1) a) Base frequency
    - b) Motor capacity
    - c) No. of motor poles
 Set the values according to a motor which uses a, b, and c.
  - 2) Make sure that 0 Hz is not set. (When 0 Hz is set, the autotuning function will not be performed.)
  - 3) Cancel all the DC braking settings. (DC braking is not set by initialization.)
  - 4) Make an motor input voltage setting (F-03 AVR AC ) according to the motor rating.
- (2) Drive the motor for about 60 to 120 seconds. (During autotuning, the motor automatically runs in the order of (1) to (4) given on the left and the motor constant is measured. Therefore, make sure before starting operation that no problems are caused to the load to be connected during the automatic running from (1) to (4).)

Example:

When the base frequency is 120 Hz, the motor runs up to 80% of the base frequency in (3), that is, 96 Hz and then decelerates and stops.

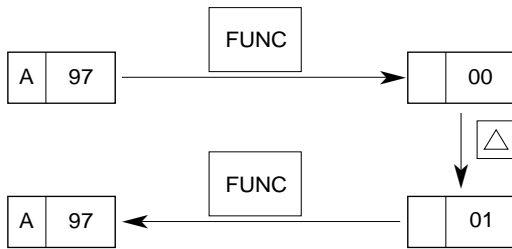
The status for using the autotuning data is set.

Running under sensorless vector control is available.

## Autotuning start

### [Setting method]

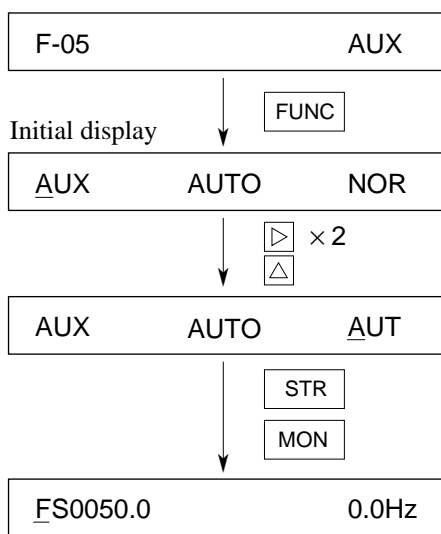
#### (1) Digital operator



Display the **A 9 7** software switch and set it to the data (01) for starting autotuning setting.

When the equipment starts running after the data is set, the autotuning measurement is executed.

#### (2) Remote operator



F-05 motor constant setting is displayed.

Display the AUX AUTO screen and select AUT or NRT.

Autotuning

NOR: Setting OFF and autotuning end

AUT: Autotuning measurement start (Motor rotates)

NRT: Autotuning measurement start (Motor does not rotate)

When the equipment starts running after the data is set, the autotuning measurement is executed.

When the autotuning operation terminates, “Display at end” indicated on A-4 page is displayed. When the autotuning operation terminates normally, see the “running method by autotuning data” indicated on A-5 page.

When the autotuning fails, set “measurement start” once again and perform rerunning.

When **A 9 7** is set to **0 2** on the digital operator or NRT is selected on the remote operator, auto tuning is performed in a mode in which the motor does not run (only AC excitation and DC excitation are possible). Then, the value of motor constants R1, R2, and L are measured.

### Precautions

1. When the autotuning function is executed in the state that the DC braking is set, the accurate motor constant will not be set. Cancel the DC braking then start measurement.
2. By the autotuning function, a capacity between the applicable motor capacity and motor capacity under one frame can be set.
3. When acceleration or speeding up is not to be performed in the operation for accelerating up to 80% of the base frequency, lower the set value of manual torque boost.
4. The autotuning measurement time is about 2 minutes or so. However, the measurement time may be increased depending on the load inertia. When the measurement time exceeds 5 minutes, press the STOP key so as to decrease the set value of manual torque boost and enter the run command once again.
5. Be sure if motor is in standstill before you carry out an autotuning. Autotuning data carried out when motor is still running may be not correct.
6. Do not interrupt an autotuning with power off or any stop command except emergency case. It may cause data loss.

In it is occurred, make an initialization and reprogram what you need, and carryout autotuning again.

(3) New remote operator

**First hierarchy**

▶	1	Command	▶
	2	Initial	▶
	3	Function	▶
	4	Option	▶

▽ × 2

SEL

Select "3 Function" in the first hierarchy.

**Second hierarchy**

▶	1	Control	▶
	2	Acc/Dec	▶
	3	Run	▶
	4	Braking	▶

SEL

Select "1 Control" in the second hierarchy.

**Third hierarchy**

▶	1	V/f	▶
	2	Motor	▶
	3	Carrier	▶

▽

SEL

Select "2 Motor" in the third hierarchy.

**Fourth hierarchy**

▶	1	AUTO	0:NOR (0-2)
	2	DATA	0:NOR (0-2)

1

STOR

Change the content of "1 Auto" from 0:NOR to 1:AUT in the fourth hierarchy.

When the data is changed, press the

STOR

▶	1	AUTO	1:AUT (0-2)
	2	DATA	0:NOR (0-2)

MON

When the MON key is pressed to select the monitor mode and the equipment starts running, the autotuning is executed.

**Monitor display**

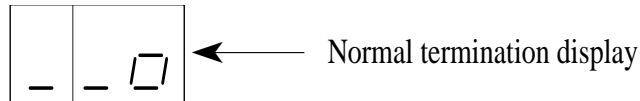
▶	FS	_____	50.00Hz
		_____	0.00Hz
	AC1	_____	10.00s
	DC1	_____	10.00s

## Display when the autotuning terminates

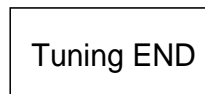
### [Display in the normal state]

- When the autotuning terminates normally, the following is displayed. When one of the keys is pressed, the original screen is displayed.

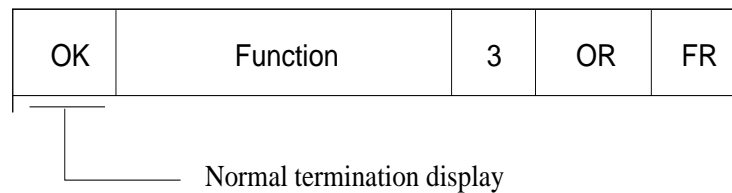
- Digital operator



- Remote operator



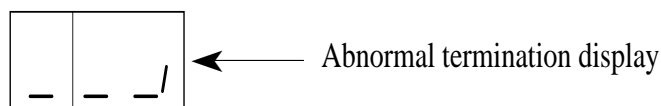
- New remote operator



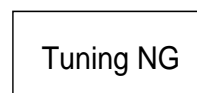
### [Display in the failure state]

- If the autotuning is executed when the motor is not connected to the inverter, the following is displayed and the measurement is stopped. As a motor constant when the measurement fails, the last value is set. When one of the keys is pressed, the original screen is displayed. When executing the measurement once again, change the autotuning measurement setting to "Start" and enter the run command in the same way.

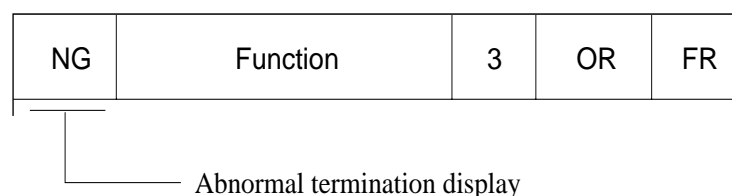
- Digital operator



- Remote operator



- New remote operator



When running the inverter using the autotuning data after the autotuning measurement terminates, make settings by the method indicated on the next page.

## Running method by autotuning data

When running the inverter using the autotuning data:

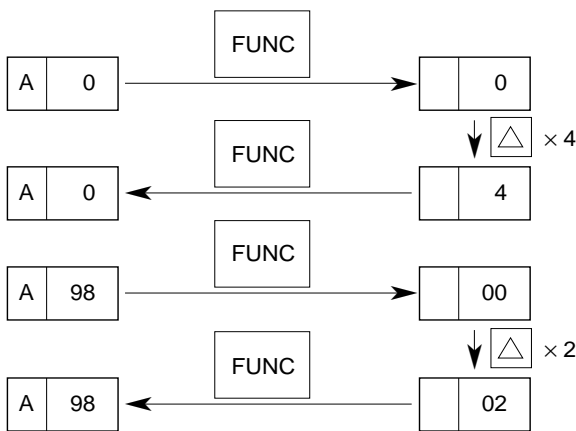
1. A-0 : The control method is set at SLV (sensorless vector control).
2. A-98 : The motor data is set on the autotuning side by the software switch.

Make the above two settings.

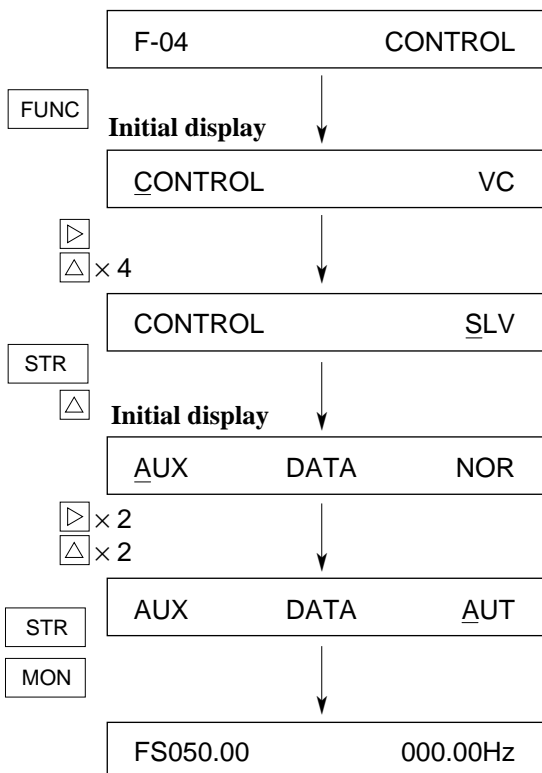
**NOTE:** When no torque is outputted during the sensorless vector run after the above settings are made, make the following settings. Increase the set value of R1 of each remote operator (motor constant) before starting running.

### [Setting method]

#### (1) Digital operator



#### (2) Remote operator



1. Select  (sensorless vector control) by the  control method.

- 0: Constant torque characteristic
- 1: Reduced torque characteristic (1.5 power)
- 2: Reduced torque characteristic (1.7 power)
- 3: Reduced torque characteristic (2.0 power)
- 4: Sensorless vector control

2. Set the motor constant data to the data which is

measured by the autotuning function using the software switch.

(Refer to the [A98] software switch of the operation manual.)  
(When executing the second setting, change the switch.)

By the above two settings, running by the autotuning data is available.

1. Select [SLV] (sensorless vector control) by the F-04 control method.

- VC: Constant torque characteristic
- VP1: Reduced torque characteristic (1.5 power)
- VP2: Reduced torque characteristic (1.7 power)
- VP3: Reduced torque characteristic (2.0 power)
- SLV: Sensorless vector control

2. Set the [AUT] autotuning data by motor data selection of the F-05 motor constant.

By the above two settings, running by the autotuning data is available.

(3) New remote operator

**First hierarchy**

▶ 1 Command	▶
2 Initial	▶
3 Function	▶
4 Option	▶

▽ × 2

SEL

Select "3 Function" in the first hierarchy.

**Second hierarchy**

▶ 1 Control	▶
2 Acc/Dec	▶
3 Run	▶
4 Braking	▶

SEL

Select "1 Control" in the second hierarchy.

**Third hierarchy**

▶ 1 V/f	▶
2 Motor	▶
3 Carrier	▶

SEL

Select "1 V/f" in the third hierarchy.

**Fourth hierarchy**

5 A-Dec	1:ON (0-1)
▶ 6 MODE	0:VC (0-5)

▽ × 5

4

STOR

Change the content of "6 Mode" from 0:VC to 4:SLV in the fourth hierarchy.

When the data is changed, press the

STOR

**Third hierarchy**

▶ 1 V/f	▶
2 Motor	▶
3 Carrier	▶

RETN

▽

SEL

Press the RETN key to return to the third hierarchy and select "2 Motor".

**Fourth hierarchy**

1 AUTO	0:NOR (0-2)
▶ 2 DATA	2:AUT (0-2)

▽

1

STOR

Change the content of "0 NOR" from 0:NOR to 2:AUT in the fourth hierarchy.

When the data is changed, press the

STOR

When the monitor mode is selected, running by the autotuning data starts.

**[NOTES]**

\*1: If the desired characteristic cannot be obtained in a sensorless vector control operation with auto tuning measured data, adjust the motor constant according to the detected symptom shown below.

(DOP, DRW, HOP, and HRW functions of the remote operator are needed for this adjustment.)

Operation Status	Symptom	Adjustment	Adjusting Item (DOP/DRW Function No.)
Power running (status with an accelerating torque)	When low frequency (a few Hz) torque is insufficient	Increase the motor constant R1 in relation to auto tuning data step by step within 1.2 times.	[F-05 AUX R1]
	When the speed fluctuation coefficient becomes minus	Increase the motor constant R2 in relation to auto tuning data step by step within 1.2 times.	[F-05 AUX R2]
	When the speed fluctuation coefficient becomes plus	Decrease the motor constant R2 in relation to auto tuning data step by step within 0.8 times.	[F-05 AUX R2]
Regeneration (status with a decelerating torque)	When low frequency (a few Hz) torque is insufficient	<ol style="list-style-type: none"> <li>1) Increase the motor constant R1 in relation to auto tuning data step by step within 1.2 times.</li> <li>2) Decrease the motor constant M in relation to auto tuning data step by step within 0.8 times.</li> <li>3) Decrease the carrier frequency set value.</li> </ol> <p>Combine the methods 1) to 3) above to adjust the motor constant.</p>	<p>[F-05 AUX R1]</p> <p>[F-05 AUX M]</p> <p>[F-36 CARRIER]            (A 10] for digital operator</p>

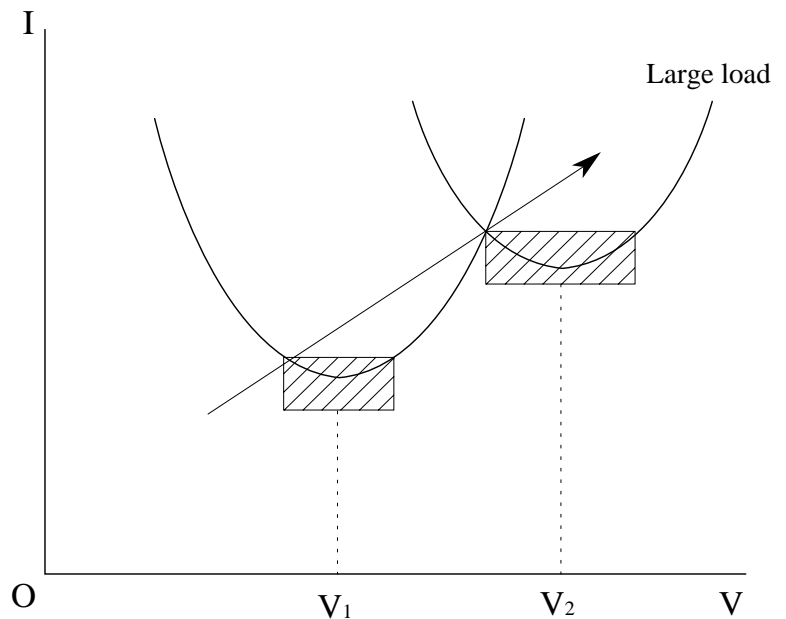
## 2. Energy conservation running

### [Outline of the function]

This is a function for automatically setting the output voltage corresponding to the load during the V/F control running and suppressing useless power.

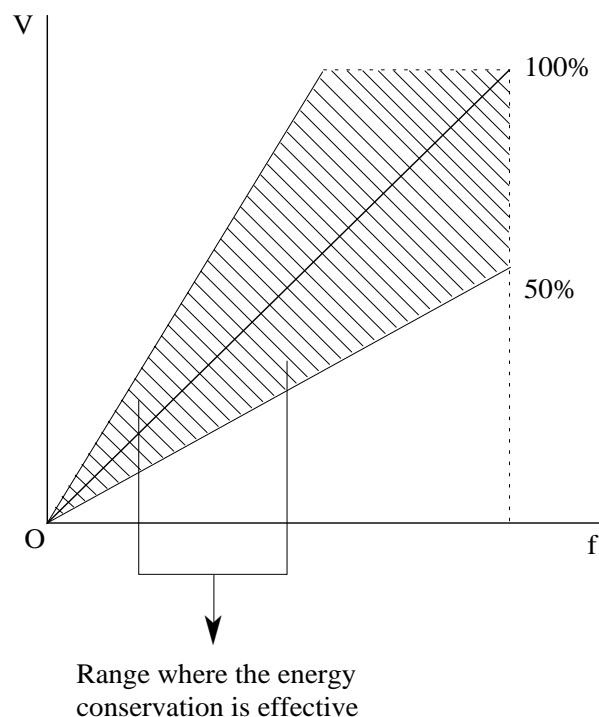
The function is effective for a load of reduced torque characteristics such as a fan and pump.

When the load of an induction motor is constant as shown in the drawing on the right, there is a voltage at which the current is minimized. When the current is minimized, the power is also minimized. The function automatically searches this voltage.



### [Precautions]

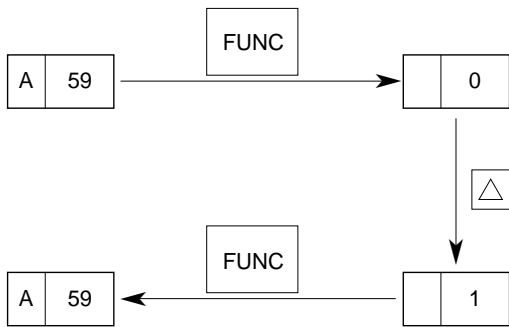
1. The output voltage is decreased so as to minimize the current. The search limits are the voltage of torque constant characteristic  $\pm 50\%$ .
2. The function is performed under comparatively slow control. Therefore, when a sudden load change (such as an impact load) occurs, the motor may stall.





**[Setting method]**

(1) Digital operator



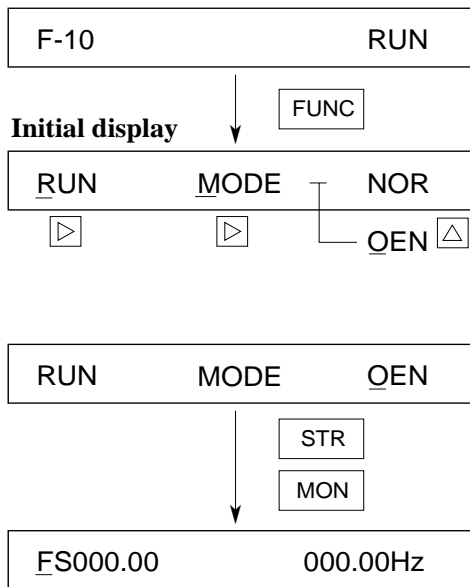
Select   by    running mode selection.

Running mode selection

- 0: Normal running
- 1: Energy conservation running
- 2: Fuzzy most suitable acceleration and deceleration running

When the running starts after the data is set, the energy conservation running is performed.

(2) Remote operator



F-10 running mode selection is displayed. Display the RUN MODE screen and select “OEN”.

Running mode selection

- NOR: Normal running
- OEN: Energy conservation running
- GOD: Fuzzy most suitable acceleration and deceleration running

When the running starts after the data is set, the energy conservation running is performed.

(3) New remote operator

**First hierarchy**

▶	1	Command	▶
	2	Initial	▶
	3	Function	▶
	4	Option	▶

▽ × 2

SEL

Select "3 Function" in the first hierarchy.

**Second hierarchy**

▶	1	Control	▶
	2	Acc/Dec	▶
	3	Run	▶
	4	Braking	▶

▽ × 2

SEL

Select "3 Run" in the second hierarchy.

**Third hierarchy**

▶	1	Freq.	▶
	2	Pattern	▶
	3	SPD	▶

▽

SEL

Select "2 Pattern" in the third hierarchy.

**Fourth hierarchy**

▶	1	MODE	<u>0</u> :NOR (0-2)
---	---	------	------------------------

1

STR

Change the content of "2 MODE" from 0:NOR to 2:OEN in the fourth hierarchy.

When the data is changed, press the

STR

▶	1	MODE	<u>2</u> :OEN (0-2)
---	---	------	------------------------

MON

When the MON key is pressed to select the monitor mode and the equipment starts running, the fuzzy most suitable acceleration and deceleration running is executed.

**Monitor display**

▶	FS	<u>50.00</u> Hz
		<u>0.00</u> Hz
	AC1	<u>10.00</u> s
	DC1	<u>10.00</u> s

### 3. Fuzzy most suitable acceleration and deceleration

#### [Outline of the function]

The fuzzy most suitable acceleration and deceleration function realizes acceleration and deceleration characteristics using the inverter capability at its maximum under fuzzy control to eliminate troublesome setting of the acceleration and deceleration time.

The acceleration time is a time for acceleration at the current specified by the overload restriction constant.

The deceleration time is a time for decelerating so that the current does not exceed 150% of the specified one or the DC voltage in the inverter circuit does not exceed 385V. (770 V for the 400V class.)

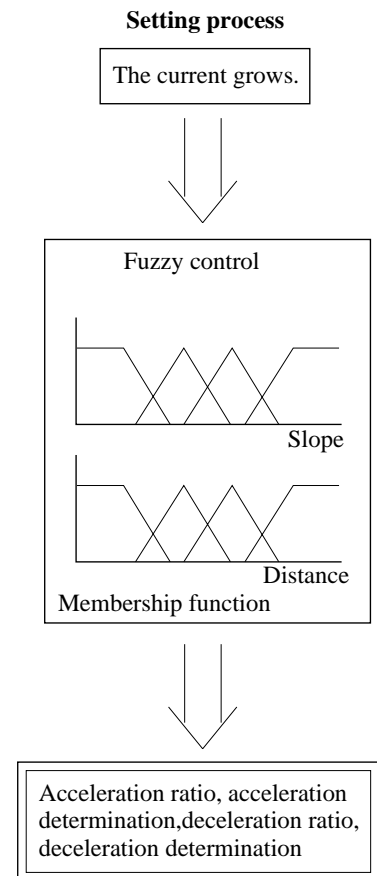
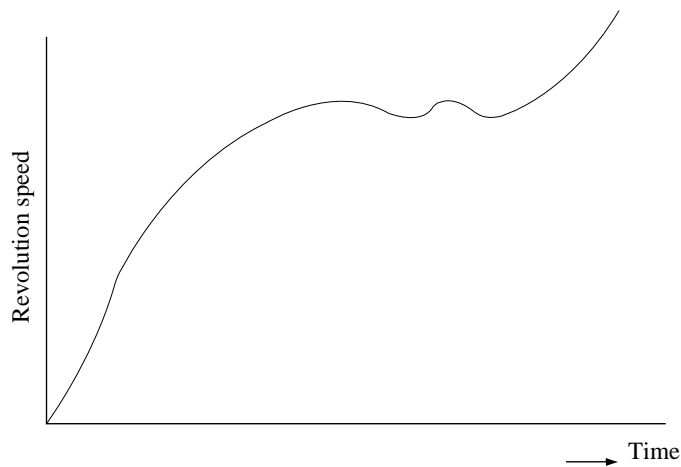
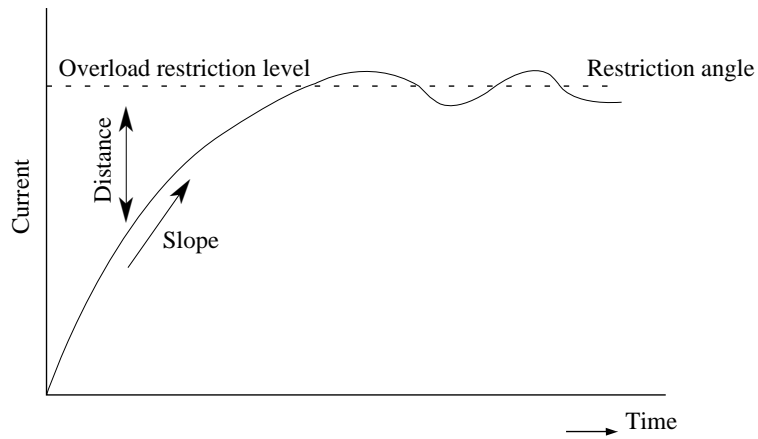
The function sets the acceleration and deceleration time automatically in response to a change in the load or inertia in real time.

#### [Precautions]

1. This function is not suitable for a machine which requires a constant acceleration and deceleration time. The acceleration and deceleration time varies with the magnitude of the load or inertia.
2. When the inertia of the machine is more than about 20 times of that of the motor shaft, a trip may occur.
3. The acceleration and deceleration time of the same motor always varies with a change of the current.
4. The fuzzy most suitable acceleration and deceleration setting function is valid only under the V/F control. In the high start torque running mode (under the sensorless vector control), the normal running is performed.
5. If the jogging running is executed when the fuzzy most suitable acceleration and deceleration setting function is selected, the jogging operation cannot be performed due to the fuzzy control.
6. When the load is more than the rated one, the deceleration time may be increased.
7. When acceleration and deceleration (the cycle is 2 [s] or less) are repeated frequently, a trip may occur.
8. If an external braking unit is used, the motor cannot stop within the deceleration time set with a braking resistor. In such a case, do not use the fuzzy acceleration/deceleration function.

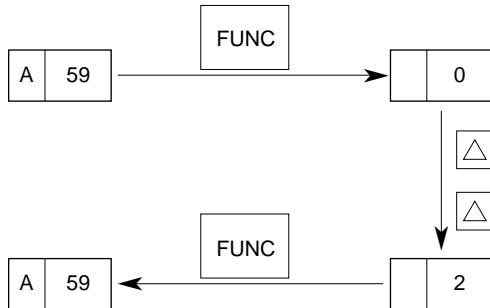
## [Principle]

The acceleration and deceleration ratio or acceleration and deceleration are set in accordance with the fuzzy rule from the distance to the overload restriction level and the start slopes of current and voltage.



## [Setting method]

### (1) Digital operator



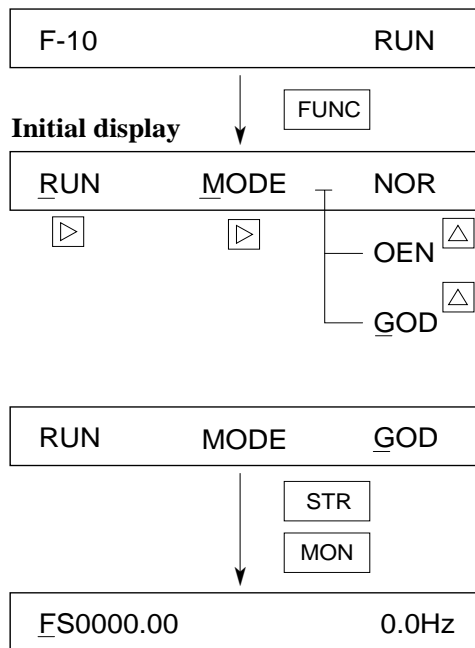
Select   by    running mode selection.

Running mode selection

- 0: Normal running
- 1: Energy conservation running
- 2: Fuzzy most suitable acceleration and deceleration running

When the running starts after the data is set, the most suitable acceleration and deceleration running is performed.

### (2) Remote operator



F-10 running mode selection is displayed. Display the RUN MODE screen and select “GOD”.

Running mode selection

- NOR: Normal running
- OEN: Energy conservation running
- GOD: Fuzzy most suitable acceleration and deceleration running

When the running starts after the data is set, the most suitable acceleration and deceleration running is performed.

\* When the running starts after the data is set, the acceleration and deceleration time display is as shown below. During the fuzzy most suitable acceleration and deceleration running, the acceleration and deceleration time display in the monitor mode is invalid. (The time can be set but the display is invalid. It becomes valid once again during the normal running.)

(3) New remote operator

**First hierarchy**

▶	1	Command	▶
	2	Initial	▶
	3	Function	▶
	4	Option	▶

▽ × 2  
SEL

Select “3 Function” in the first hierarchy.

**Second hierarchy**

▶	1	Control	▶
	2	Acc/Dec	▶
	3	Run	▶
	4	Braking	▶

▽ × 2  
SEL

Select “3 Run” in the second hierarchy.

**Third hierarchy**

▶	1	Freq.	▶
	2	Pattern	▶
	3	SPD	▶

▽  
SEL

Select “2 Pattern” in the third hierarchy.

**Fourth hierarchy**

▶	1	MODE	<u>0</u> :NOR (0-2)
---	---	------	------------------------

2  
STR

Change the content of “2 MODE” from 0:NOR to 2:GOD in the fourth hierarchy. When the data is changed, press the STR key.

▶	1	MODE	<u>2</u> :GOD (0-2)
---	---	------	------------------------

MON

When the MON key is pressed to select the monitor mode and the equipment starts running, the fuzzy most suitable acceleration and deceleration running is executed.

**Monitor display**

▶	FS	_____	0.00Hz
		_____	0.00Hz
	AC1	_____	10.00s
	DC1	_____	10.00s

## Appendix 2 Instantaneous Power Failure Restart and Commercial Power Source Switching

### 1. Instantaneous power failure restart

#### [Function Outline]

This function allows an inverter operation to be selected according to the subject system as follows when an instantaneous power failure occurs.

- Retry mode: When FTP/RST/ZST is set at IPS POWR
- Alarm mode: When ALM is set at IPS POWR
- f matching: The rotation speed and the phase are detected while the motor is on a free running to restart the operation accordingly.



#### WARNING

- When the inverter stops due to a trip with retry mode selected, the motor restarts suddenly. Stand clear of the machine. Otherwise, you may be injured. (Design the machine in such a way that persons are protected against a restart of the machine.)

#### [Setting Method]

Remote operator [F-22]		Digital operator	At instantaneous power failure	At low voltage	Abvercurrent/ overvoltage/ powemoduleerror	At other error
IPS TIME	0.3 to 25.0	—	Set an allowable instantaneous power failure time.	—	—	—
IPS WAIT	0.3 to 100.0	—	Set a wait time after an instantaneous power failure/power restoration in the retry mode or after an error.			—
IPS POWR	ALM	0	Tripping with an instantaneous power failure within the IPS TIME. If an operation command is issued for an instantaneous power failure detected out of the IPS TIME, restart the operation (0 Hz start).	Tripping	Tripping	Tripping
	FTP	1	The f matching stops with an instantaneous power failure detected within the IPS TIME. The inverter trips with an instantaneous power failure detected out of the PIS TIME.	The f matching stops if power is restored within 40s. The inverter trips unless power is restored within 40s.	The f matching is retried.	
	RST	2	The f matching is restarted if the instantaneous power failure is within the IPS TIME. The inverter trips if the instantaneous power failure is not within the IPS TIME.	The f matching is restarted if power is restored within 40s. The inverter trips unless power is not restored within 40s.		
	ZST	3	The inverter is restarted at 0 Hz if the instantaneous power failure is within the PIS TIME. The inverter trips if the instantaneous power failure is not within the IPS TIME.	The inverter is started at 0 Hz if power is restored within 40s. The inverter trips unless power is restored within 40s.		
IPS TRIP	OFF	—	No retry at an instantaneous power failure and no trip at low voltage during the inverter stop.			—
	ON	—	Retry or under voltage trip is performed during the inverter stop or running.			—



## WARNING

- If the retry mode is selected, do not approach the inverter unnecessarily. It will be restarted suddenly after it trips/stops. (Design the inverter so that the safety can be assured even in such a restart.) Otherwise, bodily injury will result.

**NOTE:** Since the retry mode is selected, the equipment restarts for trips of overcurrent, overvoltage, or undervoltage. For undervoltage, 16 retries (17th trip) are executed. For overcurrent or overvoltage, 3 retries (fourth trip) are executed.

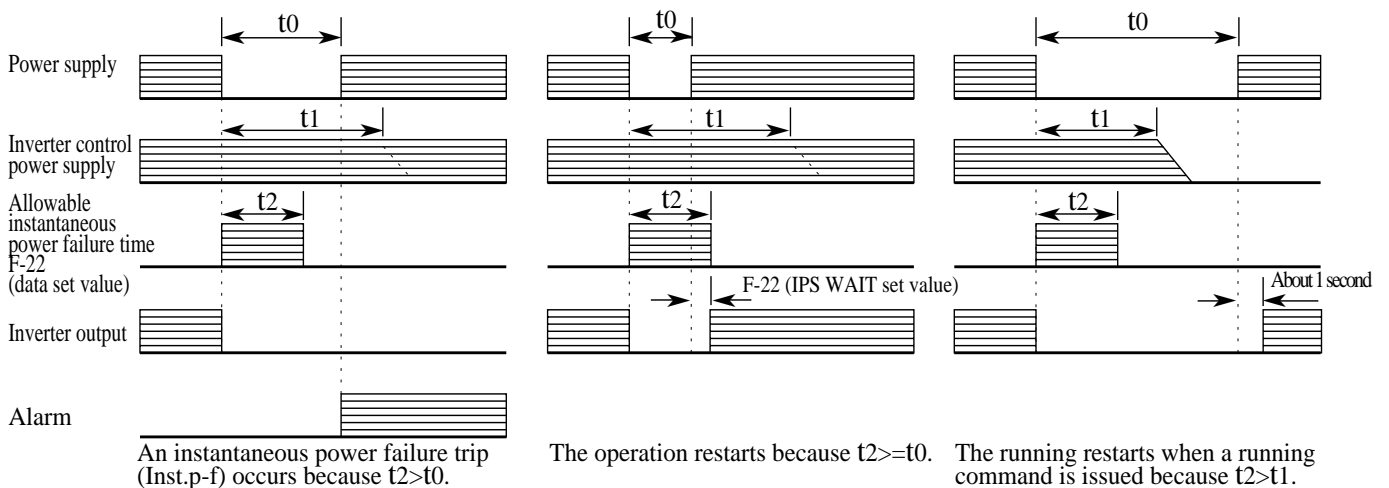
Do not use this function for a case that a fallen substance should be held by the machine brake when the motor is in the free-run mode.

In the following cases, the equipment may start at the lowest frequency (called 0 start).

- 1) When the reclosing standby time (function mode F-22, IPS WAIT) after the instantaneous power failure is recovered is set to 3 seconds or more
- 2) When the output frequency is more than 60 Hz
- 3) When the base frequency is 60 Hz: Driven at 30 Hz or less  
When the base frequency is 50 Hz: Driven at 25 Hz or less
- 4) When the induced voltage of the motor attenuates earlier (for example, a pump or high-speed gear which causes the motor to decelerate for several seconds or less)

**NOTE:** The inverter control power holding time may be slightly different depending on the inverter rating, the load status, remote operator (copy unit) connection status, and input voltage.

### <Time chart for retry mode>

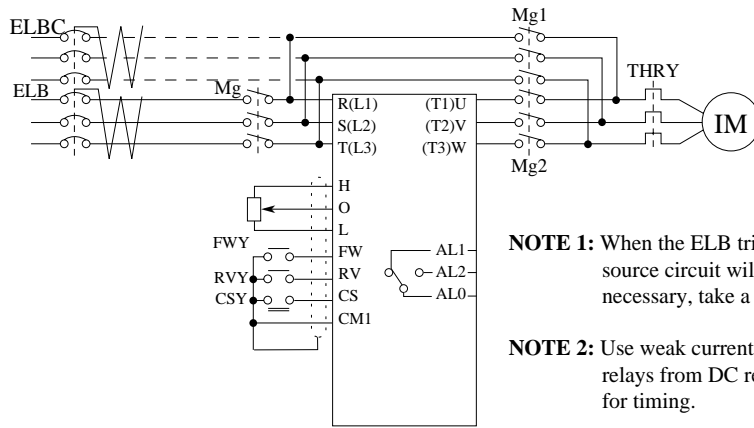


$t_0$ : Instantaneous power failure time     $t_1$ : Control power holding time when power is turned OFF     $t_2$ : F-22 (IPS TIME set value)



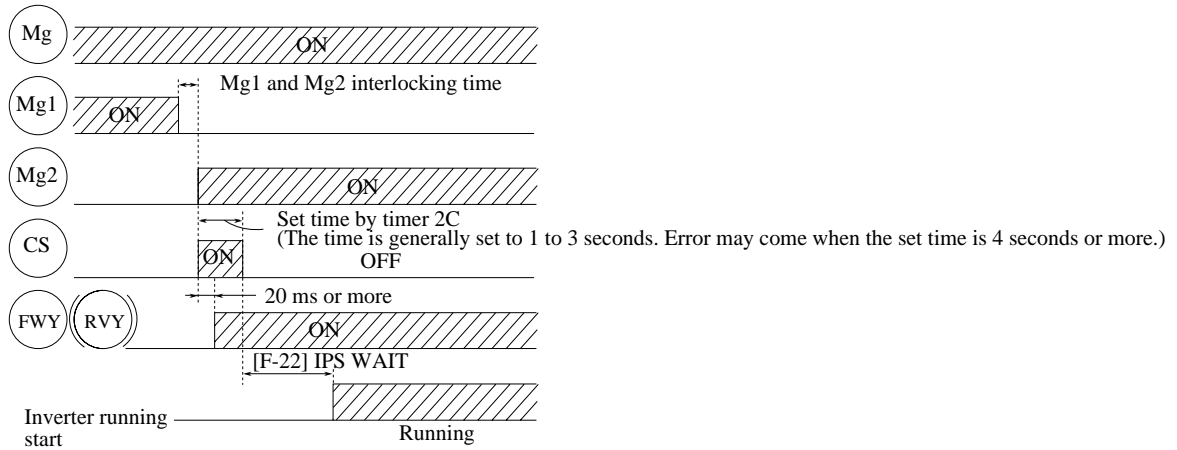
## 2. Commercial power source switching

		Data set for commercial power source switching									
Digital operator	Function code	F	9	<table border="1"> <tr> <th>Set value</th> <th>Run command to</th> <th>Frequency command to</th> </tr> <tr> <td>03</td> <td>Terminal</td> <td>Terminal</td> </tr> </table>	Set value	Run command to	Frequency command to	03	Terminal	Terminal	⇒ Set the terminal mode.
	Set value	Run command to	Frequency command to								
03	Terminal	Terminal									
Extension function code	C	3	<table border="1"> <tr> <th>Function name</th> <th>Terminal rating plate</th> <th>Set value</th> </tr> <tr> <td>Input terminal setting 3</td> <td>3</td> <td>14</td> </tr> </table>	Function name	Terminal rating plate	Set value	Input terminal setting 3	3	14	⇒ Select the CS terminal.	
Function name	Terminal rating plate	Set value									
Input terminal setting 3	3	14									
<p><b>NOTE:</b> Allocate the commercial power source switching input terminal CS to one of the input terminal settings 1 to 8 (C 0 to C 7). In this example, the terminal CS is allocated to the input terminal setting 3.</p>											
Remote operator (DOP) or copy unit (DRW)	Monitor mode	F-SET-SELECT TRM		⇒ Set TRM (terminal mode).							
	Function mode F-34	IN-TM3 CS		⇒ Select the CS terminal.							
<p><b>NOTE:</b> Allocate the commercial power source switching input terminal CS to one of the input terminal settings 1 to 8 (IN-TM1 to IN-TM8). In this example, the terminal CS is allocated to the input terminal setting 3.</p>											



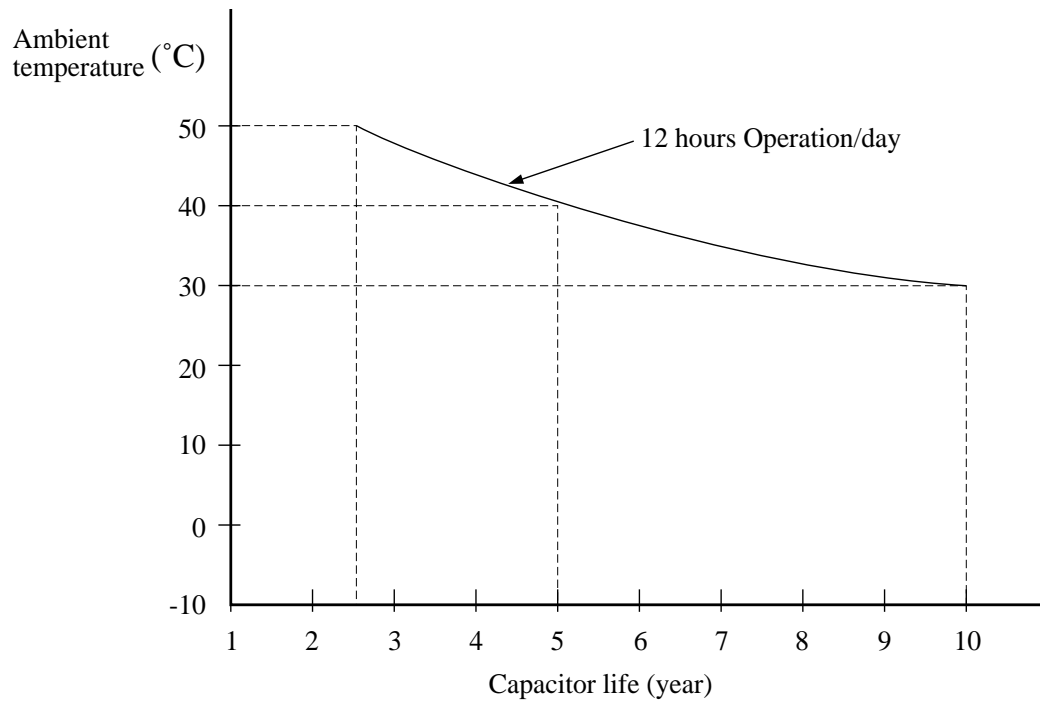
**NOTE 1:** When the ELB trips due to a ground-fault, the commercial power source circuit will not operate. Therefore, when a backup is necessary, take a commercial power source circuit from the ELBC.

**NOTE 2:** Use weak current relays for FWY, RVY, and CSY. Separate AC relays from DC relays. The above sequence is a reference drawing for timing.



**Connection example diagram and timing for commercial power source switching running**

### Appendix 3 Capacitor Life Curve

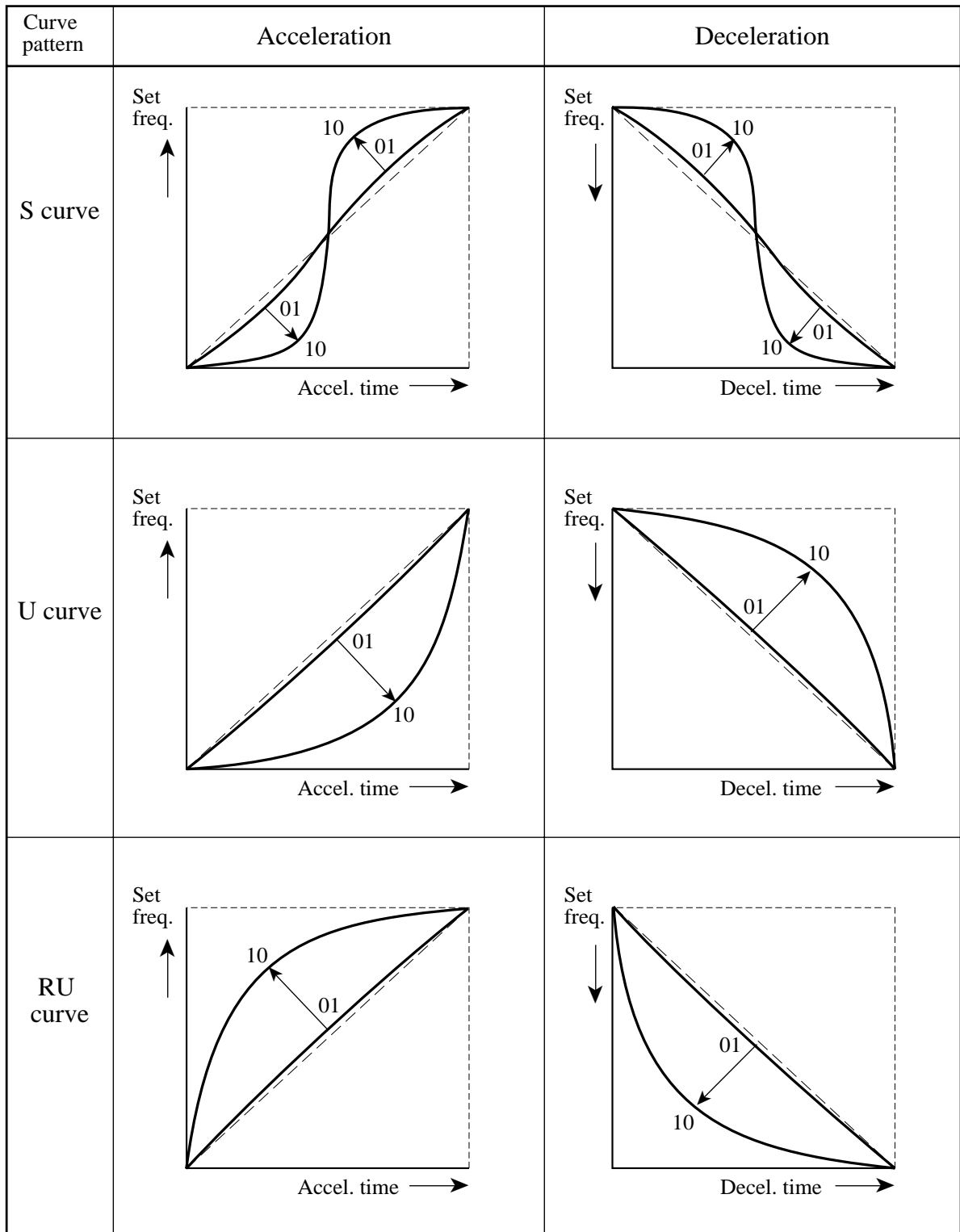


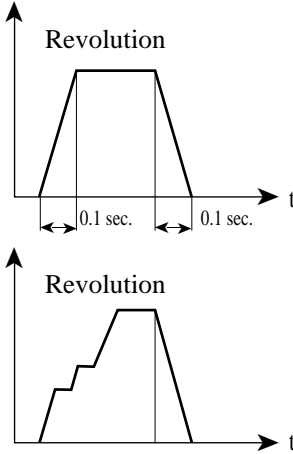
- \* The ambient temperature herein means the temperature around the inverter body. If the inverter is housed in a panel, the ambient temperature corresponds to the temperature in the panel.
- \* Even when the ambient temperature is within the rating, the capacitor life is shortened if ventilation is impeded due to bad installation conditions or dust.

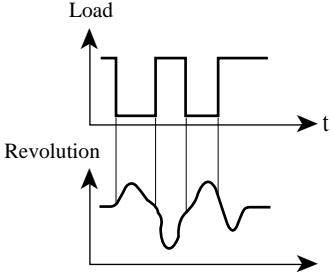
## Appendix 4 Acceleration/Deceleration Curve Constants

This function can vary the curvature when the acceleration curve pattern (or deceleration curve pattern) is selected to S curve, U curve or RU (reverse U) curve in the function mode (F-06). If the acceleration curve pattern or deceleration curve pattern is selected, the selected pattern applies to both acceleration and deceleration.

The larger number causes a greater curvature.



No.	Operation conditions	Phenomena	Improvements <small>NOTE: The setting methods shown below apply to DOP and DRW operations.</small>	Display, etc.
1	Trial running of motor only	The motor runs unsmoothly, and the revolution fails to increase. The motor current pulsates.	<p>1. When V/f control or sensor-less vector control is selected</p> <div style="border: 1px solid black; padding: 5px;"> <p>Function mode</p> <ul style="list-style-type: none"> <li>• F-36 CARRIER <u>16.0 kHz</u> → <u>8.0 kHz</u> Decrease the initial value.</li> </ul> </div>	12.3 Function mode F-36 (P.12-14)
2	Light load, low inertia load			
3	Acceleration and deceleration of light load or low inertia load	<div style="text-align: center;">  </div> <p>The motor revolution fails to increase smoothly</p>	<p>2. When V/f control is selected</p> <div style="border: 1px solid black; padding: 5px;"> <p>Function mode</p> <ul style="list-style-type: none"> <li>• F-04 CONTROL VC</li> <li>• F-05 AUX R1 <u>00.223</u> → <u>00.323</u> Increase the initial value.</li> </ul> </div> <p>3. When sensor-less vector control is selected</p> <div style="border: 1px solid black; padding: 5px;"> <p>Function mode</p> <ul style="list-style-type: none"> <li>• F-04 CONTROL SLV</li> <li>• F-05 AUX DATA NOR                             <ul style="list-style-type: none"> <li>a. AUX J <u>001.22 kgm<sup>2</sup></u> → <u>000.22 kgm<sup>2</sup></u> Decrease the initial value.</li> <li>b. AUX Kp <u>002.00</u> → <u>003.00</u> Increase the initial value.</li> </ul> </li> </ul> </div> <p>Use <b>a</b> and <b>b</b> solely or combine any of <b>a</b> and <b>b</b> to adjust the motor constant.</p>	<p>12.3 Function mode F-04 (P.12-5)</p> <p>12.3 Function mode F-05 (P.12-5)</p> <p><b>NOTE:</b> Select AUT if the automatic tuning data is used.)</p> <p>Use the second function for switching operation of two motors.</p>

No.	Operation conditions	Phenomena	Improvements <small>NOTE: The setting methods shown below apply to DOP and DRW operations.</small>	Display, etc.
4	Quickly varying load	 <p>The motor revolution varies when the load varies.</p> <p><b>NOTE:</b> When sensor-less vector is selected, driving of motor at low speed whose constant is different from the factory settings may cause reverse run. In this case, measure the motor constant using the automatic tuning mode or reduce the setting value of primary resistor (R1) of the motor.</p>	<p>When sensor-less vector control is selected</p> <p>Function mode</p> <ul style="list-style-type: none"> <li>• F-04 CONTROL SLV</li> <li>• F-05 AUX DATA <u>NOR</u></li> </ul> <p>a. AUX J <u>001.22</u> kgm<sup>2</sup> → <u>003.22</u> kgm<sup>2</sup> Increase the initial value.</p> <p>b. AUX Kp <u>002.00</u> → <u>001.00</u> Decrease the initial value.</p>	<p><b>NOTE:</b> Select AUT if the automatic tuning data is used.)</p>

No.	Operation conditions	Phenomena	Improvements <small>NOTE: The setting methods shown below apply to DOP and DRW operations.</small>	Display, etc.
5	Parallel motor operation	Operation cannot be started at high torque, since the inverter does not know the load sharing of the motors.	<p>1. When sensor-less vector control is selected</p> <div style="border: 1px solid black; border-radius: 10px; padding: 5px; margin-bottom: 10px;"> <p>Function mode</p> <ul style="list-style-type: none"> <li>• F-04 CONTROL <u>SLV</u> → <u>VC</u> Reset to V/f control.</li> </ul> </div> <p>Select the motor capacity which is the most approximate to the total capacity of the motors used. (For example, 7.5 kW, 5.5 kW, and 3.7 kW.)</p> <div style="border: 1px solid black; border-radius: 10px; padding: 5px; margin-bottom: 10px;"> <p>Function mode</p> <p>Total capacity of the motors: <math>7.5 + 5.5 + 3.7 = 16.7\text{kW}</math></p> <ul style="list-style-type: none"> <li>• F-05 AUX K <u>022.00</u> kW → <u>015.00</u> kW Select the most approximate value to the total capacity.</li> </ul> </div> <p>If two or more motors are changed in operation, select the most approximate value to the motor capacity.</p> <div style="border: 1px solid black; border-radius: 10px; padding: 5px; margin-bottom: 10px;"> <p>Example 1: One 5.5 kW motor is used</p> <ul style="list-style-type: none"> <li>• F-05 AUX K <u>022.00</u> kW → <u>005.50</u> kW Select the most approximate value.</li> </ul> </div> <div style="border: 1px solid black; border-radius: 10px; padding: 5px;"> <p>Example 2: One 5.5 kW motor is changed into parallel operation of four 5.5 kW motors</p> <p>Total capacity of the motors: <math>5.5 \times 4 = 22.0\text{ kW}</math></p> <ul style="list-style-type: none"> <li>• F-04 AUX K <u>005.50</u> kW → <u>022.00</u> kW Select the most approximate value.</li> </ul> </div>	<p>12.3 Function mode F-04 (P.12-5)</p> <div style="border: 1px solid black; display: inline-block; padding: 2px 5px;">A 1</div> <p>The sensor-less vector control is not applicable to multi-motor parallel operation.</p>

## Appendix 6 Supplementaly Explanation of the Function Mode

- The explanation of the function mode is displayed on the DOP or DRW type of the remote operator.  
As for the operating methods with other remote operators, refer to the corresponding table of the operator display.
- After data is changed, be sure to push down the STR key.  
No data is stored in the inverter body.
- Change data when the inverter is stopped. (except when the inverter is stopped during trip, and stopped when ON between the reset terminal RS and CM1.)
- In the function mode, the motor cannot be started running.  
Select the monitor mode beforehand.

<b>Function name: Second function setting</b> Intelligent input terminal [SET]		Function No. F-34 to be set (F-00, F-01, F-04, F-05)									
<div style="border: 1px solid black; padding: 2px; margin-bottom: 5px;">Function contents</div> <p>It is possible to run two motors with one inverter by switching the control circuit terminal [SET]. The changing of the SET terminal can be executed only when the inverter is stopped.</p> <div style="border: 1px solid black; padding: 2px; margin-bottom: 5px;">Function which can be set with the second function</div> <table style="width: 100%; border-collapse: collapse;"> <thead> <tr> <th style="text-align: left; width: 50%; padding: 2px;">[Monitor mode]</th> <th style="text-align: left; width: 50%; padding: 2px;">[Function mode]</th> </tr> </thead> <tbody> <tr> <td style="padding: 2px;">1. Output frequency setting</td> <td style="padding: 2px;">1. F-00 Basic frequency setting</td> </tr> <tr> <td style="padding: 2px;">2. Acceleration and deceleration time setting (NOTE) (Function mode) F-06 Acceleration time setting F-07 Deceleration time setting</td> <td style="padding: 2px;">2. F-01 Maximum frequency setting</td> </tr> <tr> <td style="padding: 2px;">3. Manual torque boost setting</td> <td style="padding: 2px;">3. F-04 Control method</td> </tr> <tr> <td></td> <td style="padding: 2px;">4. F-05 Motor constant setting</td> </tr> </tbody> </table> <p><b>NOTE:</b> When selecting the second function, 2-stage acceleration and deceleration time setting can not be set and used. When setting and using the 2-stage acceleration and deceleration time, select the first function (when [SET] terminal is OFF).</p>	[Monitor mode]	[Function mode]	1. Output frequency setting	1. F-00 Basic frequency setting	2. Acceleration and deceleration time setting (NOTE) (Function mode) F-06 Acceleration time setting F-07 Deceleration time setting	2. F-01 Maximum frequency setting	3. Manual torque boost setting	3. F-04 Control method		4. F-05 Motor constant setting	<div style="border: 1px solid black; padding: 2px; margin-bottom: 5px;">Setting contents</div> <p><b>1. Setting method 1: Digital operator</b></p> <p>Set <span style="border: 1px solid black; padding: 2px;">8</span> in any of the input terminals <span style="border: 1px solid black; padding: 2px;">4</span> to <span style="border: 1px solid black; padding: 2px;">7</span>.</p> <p><b>[Setting example]</b></p> <p>Set the 2-stage accel. and decel. function of <span style="border: 1px solid black; padding: 2px;">4</span> to the second function.</p> <div style="text-align: center; margin: 10px 0;"> </div> <p>Setting method 2: Remote operator</p> <p>Set the settings [SET] in any of the input terminals 1 to 8.</p> <p>When using the high performance remote operator, input [8] SET with the ten key.</p> <p><b>2. Function changing method</b></p> <p>After the input terminal of the setting function code and SET are short circuited, the second function setting can be started. When the short cuicuit is recovered, the function returns to the original setting (the first function).</p> <p><b>3. Setting method of each function</b></p> <p>Set same as the normal setting. When checking the function mode, confirm it with the terminal status ON/OFF.</p> <div style="border: 1px solid black; padding: 2px; margin-top: 10px;">Initial settings</div> <p>Initial settings which can be set with the second function is same as the factory settings.</p>
[Monitor mode]	[Function mode]										
1. Output frequency setting	1. F-00 Basic frequency setting										
2. Acceleration and deceleration time setting (NOTE) (Function mode) F-06 Acceleration time setting F-07 Deceleration time setting	2. F-01 Maximum frequency setting										
3. Manual torque boost setting	3. F-04 Control method										
	4. F-05 Motor constant setting										



## Appendix 7 List for display and data read/copy with each operators

### (1) Monitor mode

Y: Possible  
N: Not possible

Monitor name	Display with HOP, HRW		Display with DOP, DRW		Function without digit operator			Data read/copy		set value
					Alterability	No.	Data	HRW	DRW	
Frequency setting										
First setting	FS	0.00 Hz	FS0000.0	0.0 Hz	Y	F2	0.00	Y	Y	
Second setting	FS	0.00 Hz	FS0000.0	0.0 Hz	Y	F2	0.00	Y	N	
Multistage speed setting	1S	0.00 Hz	<u>1S0000.0</u> (2)	0.0 Hz	Y	F2	0.00	Y	N	
	7S	0.00 Hz	7S0000.0	0.0 Hz						
Analog frequency setting	TM	0.00 Hz	<u>TM 0.0</u> (4)	0.0 Hz	Y	F2	0.00	N	N	
Jogging frequency setting	JG	1.00 Hz	<u>JG 1.0</u> (5)	<u>0.0 Hz</u>	Y	F2	1.00	Y	Y	
Option 1 frequency display *1	O1	0.00 Hz	<u>O1 0.0</u> (6)	0.0 Hz	Y	F2	0.00	Y	N	
Option 2 frequency display *1	O2	0.00 Hz	<u>O2 0.0</u> (7)	0.0 Hz	Y	F2	0.00	Y	N	
Output frequency setting		0.00 Hz	FS0000.0	0.0 Hz (8)	Y	d0	0.00	—	—	
Acceleration time setting										
First setting	AC1	30.00 s	ACC1	0030.00 s	Y	F6	30.0	Y	Y	
Second setting	AC1	30.00 s	ACC1	0030.00 s	Y	F6	30.0	Y	N	
2-step acceleration time setting	AC2	15.00 s	ACC2	0015.00 s	Y	F6	15.0	Y	N	
Deceleration time setting										
First setting	DC1	30.00 s	DEC1	0030.00 s	Y	F7	30.0	Y	Y	
Second setting	DC1	30.00 s	DEC1	0030.00 s	Y	F7	30.0	Y	N	
2-step deceleration time setting	DC2	15.00 s	DEC2	0015.00 s	Y	F7	15.0	Y	N	
Motor pole number setting	RPM	1:4 P	<u>RPM 4P</u> (13)	<u>ORPM</u> (14)	Y	A25	4	Y	Y	
Motor rpm monitored		ORPM			Y	d1	0.00	—	—	
Converted frequency setting	/Hz	1.0	<u>/Hz 01.0</u> (15)	<u>0.00</u> (16)	Y	A47	1.00	Y	Y	
Converted frequency monitor		0.00			Y	d3	0.00	—	—	
Output current monitor	Im	0.0 A	<u>Im 0.0 A</u> (17)	<u>0.0 %</u> (18)	Y	d2	0.00	—	—	
Output current rate monitor		0.0 %			N	—	—	—	—	
Torque monitor	Torque	0 %	Torque	0 %	N	—	—	—	—	
Manual torque boost adjustment										
First setting	V-Boost	11	V-Boost	code<11>	Y	F8	11	Y	Y	
Second setting	V-Boost	11	V-Boost	code<11>	Y	F8	11	Y	N	
Manual torque boost frequency adjustment										
First setting	V-Boost	F 10.0 %	V-Boost	F 10.0 %	N	—	—	Y	N	
Second setting	V-Boost	F 10.0 %	V-Boost	F 10.0 %	N	—	—	Y	N	
Output voltage gain adjustment	V-Gain	100 %	V-Gain	100 %	N	—	—	Y	Y	
Jogging frequency setting	Jogging	1.00 Hz	Jogging	1.00 Hz	Y	A61	1.00	Y	Y	
Analog meter adjustment	ADJ	172	ADJ	172	Y	F10	172	Y	N	
Terminal input status monitor	TERM	LLLLLLLL	TERM	LLLLLLLL	N	—	—	—	—	
Alarm display										
First setting	WARN	#	WARN	#	N	—	—	Y	N	

\*1 Represents an indication for commanding frequency from the optional PCB.

Monitor name	Display with HOP, HRW		Display with DOP, DRW		FunctionNowwithdigitoperator			Data read/copy		set value
	Alterability	No.	Data	HRW	DRW	HRW	DRW			
Trip cause factor 1	ERR1	#	ERR1	#	Y	d10	---	N	N	
Trip frequency 1	ERR1	0.0 Hz	ERR1	0.0 Hz	N	—	—	N	N	
Trip current 1	ERR1	0.0 A	ERR1	0.0 A	Y	d10	---	N	N	
Trip time P-N voltage 1	ERR1	0.0 Vdc	ERR1	0.0 Vdc	Y	d10	---	N	N	
Integrated count 1 of cause time running days	ERR1 R	0 Y 0 D	ERR1 R	0 Y 0 D	N	—	—	N	N	
Integrated error count	ERR COUNT 0		ERR COUNT 0		N	—	—	N	N	
Trip cause 2	ERR2	#	ERR2	#	Y	d11	---	N	N	
Trip frequency 2	ERR2	0.0 Hz	ERR2	0.0 Hz	N	—	—	N	N	
Trip current 2	ERR2	0.0 A	ERR2	0.0 A	N	—	—	N	N	
Trip time P-N voltage 2	ERR2	0.0 Vdc	ERR2	0.0 Vdc	N	—	—	N	N	
Integrated count of error time running days	ERR2 R	0 Y 0 D	ERR2 R	0 Y 0 D	N	—	—	N	N	
Trip cause 3	ERR3	#	ERR3	#	Y	d11	---	N	N	
Trip frequency 3	ERR3	0.0 Hz	ERR3	0.0 Hz	N	—	—	N	N	
Trip current 3	ERR3	0.0 A	ERR3	0.0 A	N	—	—	N	N	
Trip time P-N voltage 3	ERR3	0.0 Vdc	ERR3	0.0 Vdc	N	—	—	N	N	
Integrated count of error	ERR3 R	0 Y 0 D	ERR3 R	0 Y 0 D	N	—	—	N	N	

(2) Function mode

Y: Possible  
N: Not possible

Function mode	Display with HOP, HRW		Display with DOP, DRW		FunctionNowwithdigitoperator			Data read/copy		set value
	Layer	Data display	No.	Data display	Alterability	No.	Data	HRW	DRW	
Frequencycommand	1-	1F-SET 1:REM	Monitor	F-SET-SELECTREM	Y	F9	0	Y	Y	
Operationcommand		2F/R 1:REM	Monitor	F/R-SELECTREM				Y	Y	
Parametersselection		3PARM 0:REM	F-09	PARAMREM	N	—	—	Y	Y	
Triphistorycountclear	2-	1TCNT 0:CNT	F-38	INITTCNTCNT	N	—	—	Y	Y	
Debugmodedisplaysselection		2DEBG 0:OFF		INITDEBGOFF	N	—	—	N	N	
Digitaloperatorrotatingdirection selection		3DOPE 0:FWD		INITDOPERWD	Y	F4	F	Y	Y	
Resetperformanceselection		4RESET 0:ON		INITRESETON	Y	F86	0	Y	Y	
Basefrequencysetting	3-1-1	1F-BASE 50Hz	F-00	F-BASE0050Hz	Y	A62	50	Y	Y	
Firstsetting										
Secondsetting		1F-BASE 50Hz		F-BASE0050Hz	Y	A62	50	Y	N	
Max.frequencysetting		2F-MAX 50Hz	F-01	F-MAX0050Hz	Y	A63	50	Y	Y	
Firstsetting										
Secondsetting		2F-MAX 50Hz		F-MAX0050Hz	Y	A63	50	Y	N	
Startfrequencysetting	3Fmin 0.5Hz	F-02	Fmin 0.50Hz	Y	A4	0.50	Y	N		
Motorvoltagegsetting	4A-AC 0:200V	F-03	AVRAC200V	Y	F11	200	Y	Y		
AVRfunctionON/OFFduring deceleration	5A-DEC 0:ON		AVRDECON	N	—	—	Y	Y		

Function mode	Display with HOP, HRW		Display with DOP, DRW		Function No. with digit operator			Data read/copy		set value
	Layer	Data display	No.	Data display	Alterability	No.	Data	HRW	DRW	
Control method										
First setting	3-1-1	6MODE 0:VC	F-04	CONTROLVC	Y	A0	0	Y	Y	
Second setting		6MODE 0:VC		CONTROLVC	Y	A0	0	Y	N	
Autotuning setting	3-1-2	1AUTO 0:NOR	F-05	AUXAUTONOR	Y	A97	0	Y	N	
Motor data selection										
First setting		2DATA 0:NOR		AUXDATANOR	Y	A98	0	Y	N	
Second setting		2DATA 0:NOR		AUXDATANOR	Y	A98	0	Y	N	
Motor capacity selection										
First setting		3K6:5.50kW		AUXK0050kW	Y	A1	5.50	Y	Y	
Second setting		3K6:5.50kW		AUXK0050kW	Y	A1	5.50	Y	N	
Motor pole number selection										
First setting		4P 1:4P		AUXP4P	Y	A2	04	Y	Y	
Second setting		4P 1:4P		AUXP4P	Y	A2	04	Y	N	
Motor constant R1 setting										
First setting		5R1 0.251		AUXR1 0.0251	N	—	—	Y	Y	
Second setting		5R1 0.251		AUXR1 0.0251	N	—	—	Y	N	
Motor constant R2 setting										
First setting		6R2 0.194		AUXR2 0.0194	N	—	—	Y	Y	
Second setting		6R2 0.194		AUXR2 0.0194	N	—	—	Y	N	
Motor constant L setting										
First setting		7L 3.29mH		AUX L 003.29 mH	N	—	—	Y	Y	
Second setting		7L 3.29mH		AUX L 003.29 mH	N	—	—	Y	N	
Motor constant M setting										
First setting		8M 30.90 mH		AUX M 030.90 mH	N	—	—	Y	Y	
Second setting		8M 30.90 mH		AUX M 030.90 mH	N	—	—		N	
Motor constant J setting										
First setting		9J 0.44		AUX J 000.44 kgm <sup>2</sup>	N	—	—	Y	Y	
Second setting		9J 0.44		AUX J 000.44 kgm <sup>2</sup>	N	—	—	Y	N	
Motor constant Kp setting										
First setting		aKp 2.00		AUX Kp 2.00	Y	A3	2.00	Y	Y	
Second setting		aKp 2.00		AUX Kp 2.00	Y	A3	2.00	Y	N	
Motor constant Ti setting										
First setting		bTi 100ms		AUXTi00100ms	N	—	—	Y	Y	
Second setting		bTi 100ms		AUXTi00100ms	N	—	—	Y	N	
Motor constant Kpp setting										
First setting		cKpp 1.00		AUXKpp001.00	N	—	—	Y	Y	
Second setting		cKpp 1.00		AUXKpp001.00	N	—	—	Y	N	
Carrier frequency setting	3-1-3	1CARRY 16.0kHz	F-36	CARRIER 16.0 kHz	Y	A10	16.0	Y	Y	
Acceleration time setting										
First setting	3-2-1	1A1 30.00s	F-06	ACC1 0030.00s	Y	F6	30.0	Y	Y	
Second setting		1A1 30.00s		ACC1 0030.00s	Y	F6	30.0	Y	N	
2-step acceleration setting		2A2 15.00s		ACC2 0015.00s	Y	F6	15.0	Y	N	
Acceleration time curve pattern setting		3LINE 0:L		ACCLINE L	N	—	—	Y	Y	
Acceleration/deceleration curve		4GAIN 2		ACCGAIN 02	N	F7	30.0	Y	Y	

Function mode	Display with HOP, HRW		Display with DOP, DRW		Function Now with digit operator			Data read/copy		set value
	Layer	Data display	No.	Data display	Alterability	No.	Data	HRW	DRW	
Deceleration time setting	3-2-2	1D1 30.00s	F-07	DEC 1 0030.00s	Y	F7	30.0	Y	Y	
First setting		1D1 30.00s		DEC 1 0030.00s	Y	F7	30.0	Y	N	
Second setting		2D2 15.00s		DEC 2 0015.00s	Y	F7	15.0	Y	N	
2-step deceleration time setting		3LINE 0:L		DECLINE L	N	—	—	Y	Y	
Deceleration time curve pattern selection		4GAIN 2		DEC GAIN 02	N	—	—	Y	Y	
Acceleration time stop frequency setting	3-3-1	1F 0.0Hz	F-08	Fsp F 0000.0Hz	N	—	—	Y	Y	
Acceleration time stop time setting		2TIME 0.0s		Fsp TIME 00.0s	N	—	—	Y	Y	
Multi-step speed/process stepping selection	3-3-2		F-10							
Operation mode selection		1MODE 0:NOR		RUN MODE NOR	Y	A59	0	Y	N	
Free run stop		2FRS 1:ZST		RUN FRS ZST	Y	A54	01	Y	Y	
1st speed of Multi-stage speed	3-3-3	1S1 0.00Hz	F-11	SPD 1 0000.00Hz	Y	A12	0.0	Y	N	
2nd speed of Multi-stage speed		2S2 0.00Hz		SPD 2 0000.00Hz	Y	A13	0.0	Y	N	
3rd speed of Multi-stage speed		3S3 0.00Hz		SPD 3 0000.00Hz	Y	A14	0.0	Y	N	
4th-7th speed of Multi-stage speed		4S4 0.00Hz to 7S7 0.00Hz		SPD 4 0000.00Hz to SPD 7 0000.00Hz	Y	F2	0.0	Y	N	
DC braking selection	3-4-1	1SW 0:OFF	F-20	DCB SW OFF	N	—	—	Y	Y	
DC braking type selection		2KIND 1:LVL		DCB KIND LVL	N	—	—	Y	Y	
DC braking frequency selection		3F 0.5Hz		DCB F 0000.5Hz		—	—	Y	Y	
DC braking power selection (starting time)		4V-STA 0		DCB V-STA 00	N	—	—	Y	Y	
DC braking power selection (stopping time)		5V-STP 0		DCB V-STP 00	N	—	—	Y	Y	
DC braking time selection (starting time)		6V-STA 0.0s		DCB V-STA 000.0 s	N	—	—	Y	Y	
DC braking time selection (stopping time)		7T-STP 0.0s		DCB T-STP 000.0 s	N	—	—	Y	Y	
DC braking output OFF time adjustment		8STOP-T 0.0s		DCB STOP-T 0.00 s	N	—	—	Y	Y	
Regeneration braking setting		3-4-2		1%ED 1.5%	F21	BRD-%ED 001.5%	Y	A38	1.5	Y
Electronic thermal characteristics selection	3-5-1		F23							
First setting		1CHAR 1:SUB		E-THM CHAR SUB	Y	A24	1	Y	Y	
Second setting		1CHAR 1:SUB		E-THM CHAR SUB	Y	A24	1	Y	N	
Electronic thermal level setting		2LEVEL 100%		E-THM LEVEL 100%	Y	A23	100	Y	Y	
First setting		2LEVEL 100%		E-THM LEVEL 100%	Y	A23	100	Y	N	
Second setting		3A1 15.8A		E-THM A1 15.8 A	N	—	—	Y	N	
Electronic thermal characteristics free setting (current value 1)		4F1 0Hz		E-THM F1 0000 Hz	N	—	—	Y	N	
Electronic thermal characteristics free setting (frequency 1)	5A2 15.8A	E-THM A2 15.8 A	N	—	—	Y	N			
Electronic thermal characteristics free setting (current value 2)										

Function mode	Display with HOP, HRW		Display with DOP, DRW		Function No. with digit operator			Data read/copy		set value
	Layer	Data display	No.	Data display	Alterability	No.	Data	HRW	DRW	
Electronic thermal characteristics frequency setting (frequency 2)	3-5-1	6F2 0Hz	F-23	E-THM F2 0000 Hz	N	—	—	Y	N	
Electronic thermal characteristics frequency setting (current value 3)		7A3 24.0A		E-THM A3 24.0 A	N	—	—	Y	N	
Electronic thermal characteristics frequency setting (frequency 3)		8F3 73Hz		E-THM F3 0073 Hz	N	—	—	Y	N	
Overload limit level setting	3-5-2	1LEVEL 125%	F-24	OLOAD LEVEL 125%	N	—	—	Y	Y	
Overload limit constant setting		2CONST 1.0		OLOAD CONST 01.0	N	—	—	Y	Y	
Overload limit selection during acceleration		3ACC 1:ON		OLOAD ACCON	N	—	—	Y	Y	
Frequency lower limit setting	3-5-3	1LIML 0.0Hz	F-26	LIMIT L 0000.0 Hz	Y	A5	0.0	Y	Y	
Frequency upper limit setting		2LIMH 0.0Hz		LIMIT H 0000.0 Hz	Y	A6	0.0	Y	Y	
Jump frequency (1)		3F1 0.0Hz		JUMP F1 0000.0 Hz	Y	A7	0.0	Y	Y	
Jump frequency (2)		4F2 0.0Hz		JUMP F2 0000.0 Hz	Y	A8	0.0	Y	Y	
Jump frequency (3)		5F3 0.0Hz		JUMP F3 0000.0 Hz	Y	A9	0.0	Y	Y	
Jump frequency width setting		6WIDTH 0.5Hz		JUMP W 0.5Hz	N	—	—	Y	Y	
Allowable instantaneous time	3-5-4	1TIME 1.0s	F-22	IPSTIME 1.0s	N	—	—	Y	Y	
Reclosing stand-by after instantaneous power failure recovered		2WAIT 1.0s		IPSWAIT 001.0s	N	—	—	Y	Y	
Instantaneous power failure restart selection		3POWR 0:ALM		IPSPWRALM	Y	A34	0	Y	Y	
Trip selection during stop at under voltage		4TRIP 1:OFF		IPSTRIP OFF	N	—	—	Y	Y	
Max. frequency selection	3-5-5	1MAXF 0:120 Hz	F-30	F-MAX-L120Hz	Y	A64	120	Y	Y	
Software lock selection		2SLOCK 1:MD1	F-25	S-LOCKMD1	N	—	—	Y	Y	
STOP key validity selection		3STOP 1:ON	F-28	STOP-SWON	N	—	—	Y	Y	
Running direction selection		4F/R 2:FRE	F-29	F/RSWFRE	N	—	—	Y	Y	
Reverse run prevention		5PREV 0:OFF		F/RPREV OFF	N	—	—	Y	Y	
Reduced voltage soft start setting		6RVS 6		F/RRVS 6	Y	A58	6	Y	N	
Analog input voltage selection	3-6-1	1V 1:10	F-31	INANA 10V	Y	A48	1	Y	Y	
External frequency start setting		2EXS 0.0Hz		INEXS 0000.0 Hz	Y	A26	0.0	Y	Y	
External frequency end setting		3EXE 0.0Hz		INEXE 0000.0 Hz	Y	A27	0.0	Y	N	
External frequency start rate setting		4EX% s 0%		INEX% S 000%	N	—	—	Y	N	
External frequency end rate setting		5EX% E 100%		INEX% E 100%	N	—	—	Y	N	
External frequency start point setting		6LEVEL 0Hz		INLEVEL 0Hz	N	—	—	Y	Y	
Frequency command sampling frequency setting		7F-SAMP8		INF-SAMP8	Y	A11	8	Y	N	
Arrival signal output pattern selection	3-6-2	1PTN 0:CST	F-32	ARVPTNCST	Y	A49	0	Y	Y	
Arrival frequency setting for acceleration		2ACC 0.0Hz		ARVACC 0.0Hz	Y	A39	0	Y	Y	
Arrival frequency setting for deceleration		3DEC 0.0Hz		ARVDEC 0.0Hz	Y	A40	0	Y	Y	
Overtorque signal rate for plus torque	3-6-2	4V 100%	F-33	0V-TRQV 100%	N	—	—	Y	N	
Overtorque signal rate for minus torque		5R 100%		0V-TRQR 100%	N	—	—	Y	N	

Function mode	Display with HOP, HRW		Display with DOP, DRW		Function Now with digit abperator			Data read/copy		set value
	Layer	Data display		No.	Data display	Alterability	No.	Data	HRW	
Input terminal 1 setting	3-6-3	1I-1	18:RS	F-34	IN-TM1RS	Y	C 0	18	Y	N
Input terminal 2 setting		2I-2	16:AT		IN-TM2AT	Y	C 1	16	Y	N
Input terminal 3 setting		3I-3	5:JG		IN-TM3JG	Y	C 2	5	Y	N
Input terminal 4 setting		4I-4	11:FRS		IN-TM4FRS	Y	C 3	11	Y	N
Input terminal 5 setting		5I-5	9:CH1		IN-TM5CH1	Y	C 4	9	Y	N
Input terminal 6 setting		6I-6	2:CF2		IN-TM6CF2	Y	C 5	2	Y	N
Input terminal 7 setting		7I-7	1:CF1		IN-TM7CF1	Y	C 6	1	Y	N
Input terminal 8 setting		8I-8	0:REV		IN-TM8REV	Y	C 7	0	Y	N
Input terminal 1 NO/NC setting		9I-OC1	0:NO		IN-TM0/C-1NO	Y	C20	00	Y	N
Input terminal 2 NO/NC setting		aI-OC2	0:NO						Y	N
Input terminal 3 NO/NC setting		bI-OC3	0:NO						Y	N
Input terminal 4 NO/NC setting		cI-OC4	0:NO						Y	N
Output terminal 11 setting		d0-1	0:FA1		OUT-TM1FA1	Y	C10	0	Y	N
Output terminal 12 setting		e0-2	1:RUN		OUT-TM2RUN	Y	C11	1	Y	N
Alarm output NO/NC setting	f0-OCA	1:NC	OUT-TM 0/C-A NC	Y	C21	04	Y	N		
Output terminal 11 NO/NC setting	g0-OC1	0:NO					Y	N		
Output terminal 12 NO/NC setting	h0-OC2	0:NO					Y	N		
Monitor signal selection	3-6-4	1SEL	0:A-F	F-37	MONITORA-F	Y	A44	0	Y	Y
Host operation at OP1 error	4-1	1OP1	1:STP	F-47	OP-ERR1STP	N	—	—	Y	N
Host operation at OP2 error		2OP2	1:STP		OP-ERR2STP	N	—	—	Y	N
Encode pulse numbers setting	4-2	1ENC-P	1024 pls	F-39	OPP01024pulse	N	—	—	Y	N
Control mode selection		2MODE	0:ASR		OPMODEASR	N	—	—	Y	N
Ro-to option selection		3RO-TO	0:OFF		OP-RO-TCOFF	Y	A99	0	Y	Y
Stop position setting switch	4-3	1POS	0:IN	F-40	ORPOSIN	N	—	—	Y	Y
Stop position setting		2P	0 pls		ORP00000 pulse	N	—	—	Y	N
Speed setting		3FC	5.0Hz		ORFC0005.0Hz	N	—	—	Y	N
Direction setting		0:FWD			FWD	N	—	—	Y	Y
Completion range setting		5LIMIT	5 pls		ORL0005 pulse	N	—	—	Y	N
Completion delay time setting		6TW	0.0ms		ORTW00.0ms	N	—	—	Y	N
Electronic gear setting position selection		4-4	1EGRP		0:FB	F-41	POEGRPFb	N	—	—
Numerator of electronic gear ratio	2EGR-N		1	POEGR-N00001	N		—	—	Y	N
Denominator of electronic gear ratio	3EGR-D		1	POEGR-D00001	N		—	—	Y	N
Feedforward gain	0.00			000.00	N		—	—	Y	N
Position loop gain	5G		0.50rad	POG 000.50 rad/s	N		—	—	Y	N
Torque limiter setting selection	4-5	1LIMIT	0:IN	F-42	TRQLIMITIN	N	—	—	Y	N
Plus torque limiter setting		2FWD	150%		TRQFWD150%	N	—	—	Y	N
Minus torque limiter setting		3REV	150%		TRQREV150%	N	—	—	Y	N
PID target value setting method selection	4-6	1I-SEL	0:IN	F-43	PIDIN-SELIN	Y	A95	0	Y	Y
PID target value setting		2LVL	0.00%		PIDLVL000.0%	Y	A96	000	Y	N
P gain setting		3P	1.0		PIDP 1.0	Y	A90	1.0	Y	N
I gain setting		4I	1.0s		PIDI 1.00s	Y	A91	1.0	Y	N
D gain setting		5D	10.0		PIDD 0100.0	Y	A92	0.0	Y	N
PID selection		6MODE	0:MDO		PIDMODEMDO	Y	A94	0	Y	N

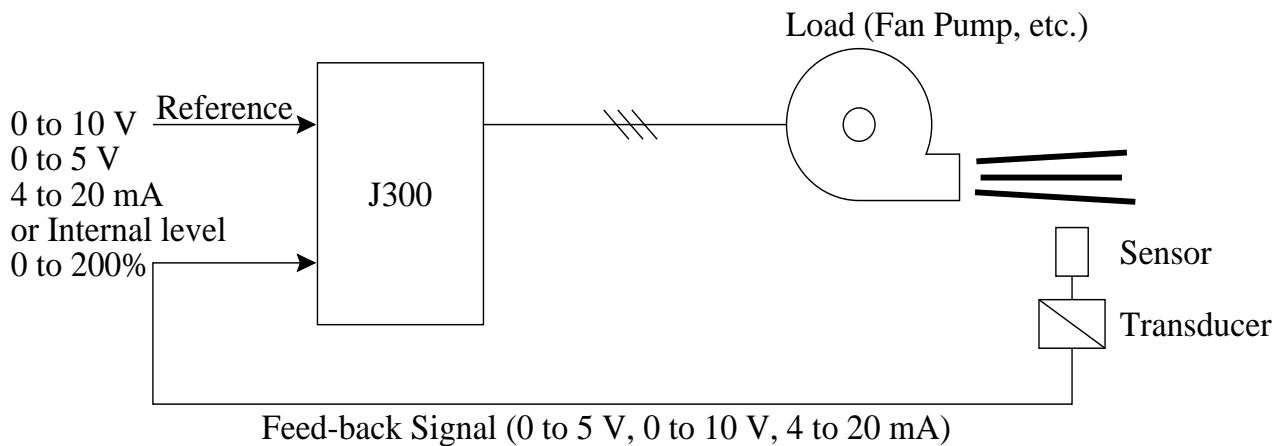
Function mode	Display with HOP, HRW		Display with DOP, DRW		Function Now with digital operator			Data read/copy		set value
	Layer	Data display	No.	Data display	Alterability	No.	Data	HRW	DRW	
Transmissionspeedselection	4-7	1BAUD 1:600 bps	F-46	COM BAUD 0600 bps	N	—	—	Y	N	
Stationnumberselection		2NUMBER 1		COM NUMBER 01	N	—	—	Y	N	
Bitlengthselection		3LENGTH 0:8		COMLENGTH8	N	—	—	Y	Y	
ParityON/OFFselection		4PAR-1 1:ON		COMPAR-SEL1ON	N	—	—	Y	Y	
Odd/evenparityselection		5PAR-2 0:EVN		COM PAR-SEL2 EVN	N	—	—	Y	Y	
Stopbitlengthselection		6STOPBIT 0:2		COMSTOPBIT2	N	—	—	Y	Y	
RelayoutputterminalRYAsignal selection	4-8	1RYA 3:RUN	F-48	RELAYRYARUN	N	—	—	Y	N	
RelayoutputterminalRYBsignal selection		2RYB 0:CST		RELAYRYBCST	N	—	—	Y	N	
RelayoutputterminalRYCsignal selection		3RYC 4:OTQQ		RELAYRYCOTQ	N	—	—	Y	N	
Extensionfunctionsetting	Setting only for digital operator				Y	F14	A 0	N	N	
Voltagecommandadjustment	Setting only for digital operator				Y	A80		N	N	
Currentcommandadjustment	Setting only for digital operator				Y	A81		N	N	

## Appendix 8 PID Function

### 1. Function

The PID (Proportional, Integral, Differential) control functions can apply to controlling of the air (water) amount of a fan pump, etc., as well as controlling of pressure within a fixed value. Set the reference signal according to the frequency setting method or the internal level. Set the feed-back signal according to the analog voltage input (0 to 5V or 0 to 10V) or analog current input (4 to 20 mA).

#### [Wiring Sketch]



### 2. PID Gain

If the response is not stabilized in a PID control operation, adjust the gains as follows according to the symptom of the inverter.

- The change of controlled variable is slow even when the target value is changed.  
— Increase the P gain.
- The change of controlled variable is fast, but not stable.  
— Decrease the P gain.
- It is difficult to make the target value match with the controlled variable.  
— Decrease the I gain.
- Both the target value and the controlled variable are not stable. They match after oscillation.  
— Increase the I gain.
- The response is slow even when the P gain is increased.  
— Increase the D gain.
- The response is not stabilized due to oscillation even when the P gain is increased.  
— Decrease the D gain.



### 3. Data Setting Method

(1) Digital operator

Refer to **A 9 0** **A 9 1** **A 9 2** **A 9 4** **A 9 5** **A 9 6** of the extended function mode contents (pages 7-26 and 7-27).

(2) Remote operator

	Setting item	Setting range	
<b>F 4 3</b>	PID IN-SEL	IN	The PID LVL set value is assumed as the target value.
		OUT	The target value depends on the frequency setting method.
	PID LVL	0 to 200%	
	PID P	0 to 5.0	
	PID I	0 to 15.0	
	PID D	0 to 100.0	
	PID MODE	MD0	Built-in PID control OFF
		MD1	An analog current input is used as the feed-back signal.
		MD2	An analog voltage input is used as the feed-back signal.
		MD3	An analog current input is used as the feed-back signal. I gain × 10.
		MD4	An analog voltage input is used as the feed-back signal. I gain × 10.

- Notes:
- If the target value signal is to be entered to an external terminal, the signal should not be assigned to the terminal used by the feed-back signal input. If assigned, no PID operation is possible.
  - The [PID LVL] value (0 to 200%) corresponds to 0 to 10V of analog voltage input. In other words, if the target value input of 5V is converted to an internal level, set 100% for the [PID LVL].
  - If target values are to be entered with current (OI-L input), turn on the AT terminal.